

**aprilia**<sup>®</sup>

## SPARE PARTS CATALOGUE



### **RSV4 1100 Factory E5 ABS 2023 (NAFTA)**

Chassis prefix:  
Engine prefix: ZD4KY

*RSV 4 1100 E5*

**4535**

## Index

Finished products.....	4
Alphanumeric index.....	5
Frame/bodywork.....	12
Table 01.010 - Frame/bodywork.....	12
Table 01.020 - Foot rests.....	14
Table 01.030 - Stand.....	16
Table 01.050 - Swing arm.....	17
Body.....	19
Table 02.030 - Front mudguard-Pillar.....	19
Table 02.040 - Front fairing.....	21
Table 02.070 - Duct.....	22
Table 02.080 - Side fairing.....	23
Table 02.100 - Central body.....	26
Table 02.120 - Saddle.....	27
Table 02.130 - Saddle compartment.....	28
Table 02.140 - Rear body.....	29
Table 02.150 - Rear mudguard.....	31
Table 02.170 - Locks.....	32
Table 02.180 - Plate set / Various.....	33
Table 02.190 - Decal.....	34
Engine.....	37
Table 03.010 - Engine-Completing part-Lever.....	37
Table 03.040 - Crankcases I.....	38
Table 03.050 - Air box.....	40
Table 03.060 - Throttle body.....	41
Table 03.090 - Cylinder head cover.....	42
Table 03.100 - Cylinder head - valves.....	43
Table 03.110 - Pad.....	45
Table 03.130 - Front cylinder timing system.....	48
Table 03.140 - Rear cylinder timing system.....	49
Table 03.150 - Cylinder - Piston.....	50
Table 03.160 - Cranckshaft.....	51
Table 03.180 - Gear box - Gear assembly.....	53
Table 03.190 - Lubrication.....	56
Table 03.210 - Cooler pump.....	58
Table 03.220 - Clutch cover.....	59
Table 03.230 - Clutch.....	60
Table 03.270 - Flywheel cover.....	61
Table 03.290 - Starter / Electric starter.....	62
Table 03.320 - Secondary air.....	63
Table 03.330 - Silencer.....	64
Suspensions.....	66
Table 04.010 - Front fork Ohlins.....	66

---

Table 04.080 - Shock absorber.....	67
Wheels.....	68
Table 05.010 - Front wheel.....	68
Table 05.020 - Rear wheel.....	69
Braking system.....	71
Table 06.010 - Front master cilinder.....	71
Table 06.020 - Front brake caliper.....	72
Table 06.030 - Rear master cylinder.....	73
Table 06.040 - Rear brake caliper.....	74
Table 06.050 - ABS Brake system.....	75
Handlebar - Controls.....	76
Table 07.010 - Steering.....	76
Table 07.020 - Handlebar - Controls.....	77
Table 07.030 - Clutch control.....	78
Lights - Instruments.....	79
Table 08.010 - Front headlamps.....	79
Table 08.020 - Instruments.....	80
Table 08.030 - Rear headlamps.....	81
Tank.....	82
Table 09.010 - Fuel tank.....	82
Table 09.020 - Fuel vapour recover system.....	84
Cooling system.....	85
Table 10.010 - Oil radiator.....	85
Table 10.020 - Cooling system.....	86
Electrical systems.....	88
Table 11.010 - Front electrical system.....	88
Table 11.020 - Central electrical system.....	90
Table 11.030 - Rear electrical system.....	91



RSV 4 1100 E5  
4535 RSV4 1100 Factory E5 ABS 2023 (NAFTA)

Chassis prefix:  
Engine prefix: ZD4KY

## Finished products

Code	Validity
AP6192170CCP03	
AP6192170CCP04	
AP6192170CCP05	
AP6192170YCP03	
AP6192170YCP04	
AP6192170YCP05	



Code	No. table	Pos.	Code	No. table	Pos.	Code	No. table	Pos.
000267	03.160	15	1A018892LL	03.160	1	2A0007585	03.130	1
006412	03.190	25	1A018892MM	03.160	1	2A0007605	03.140	1
006630	03.270	15	1A018892NN	03.160	1	2A000795	03.100	31
00G04401462	02.030	18	1A018892OO	03.160	1	2A000796	03.100	30
00G04401462	02.070	8	1A018892PP	03.160	1	2A000802	03.210	1
00G04401462	02.080	15	1A0191775	03.040	1	2A0008370B	03.160	4
00G04401462	02.100	5	1A019473	03.060	1	2A0008370G	03.160	4
00G04401462	02.130	5	1A019474	03.060	2	2A0008370V	03.160	4
00G04401462	08.020	4	1D000129	11.010	25	2A000872	03.100	28
00G04401462	11.010	31	1D001138	03.190	14	2A000879	03.180	11
013777	03.190	30	231590	06.050	21	2A000890	03.180	18
016335	03.190	13	235779	03.290	8	2A000894	03.090	1
020006	06.030	2	254485	03.330	13	2B000276	03.330	20
1A002950	03.270	1	277330	03.190	20	2B000897	10.010	1
1A002951	03.160	12	289731	03.190	12	2B001135	05.010	3
1A002951	03.160	16	291051	07.030	4	2B001136	05.010	4
1A003049	03.190	28	296141	02.070	9	2B001203	09.010	21
1A003110	03.130	7	2A000033R	03.220	14	2B001216	03.050	1
1A003110	03.140	7	2A000034	03.270	9	2B001217	03.050	4
1A003151	03.130	4	2A000047	03.180	52	2B001218	03.050	3
1A003151	03.140	4	2A000048	03.180	40	2B001219	03.050	16
1A003153	03.100	25	2A000178	03.100	9	2B001354	01.010	21
1A003155	03.130	10	2A000236	03.100	10	2B001412	03.050	7
1A0047845	03.130	12	2A000276	03.190	7	2B001413	03.050	6
1A0047845	03.140	12	2A000278	03.180	32	2B001451	01.010	4
1A004792	03.130	9	2A000284	03.180	20	2B001452	01.010	6
1A004792	03.140	9	2A000285	03.180	19	2B001453	01.010	5
1A005178	03.040	33	2A000286	03.180	22	2B001454	01.010	14
1A0063195	03.190	5	2A000313	03.290	13	2B001478	10.010	11
1A006321	03.150	9	2A000337	03.100	21	2B001483	03.060	9
1A006984	03.220	26	2A000357	03.190	15	2B001484	03.060	8
1A007396	03.050	23	2A000358	03.190	27	2B001592R	03.050	5
1A007397	03.050	24	2A000359	03.190	31	2B001806	03.190	19
1A007415	03.270	16	2A000363	03.040	30	2B001806	10.010	16
1A007708	03.050	21	2A000370	03.150	4	2B001909	05.020	29
1A0078665	03.050	9	2A000436	03.180	1	2B001920	01.050	21
1A008432	03.100	12	2A000440	03.180	9	2B001932	03.010	8
1A008435	03.100	13	2A000450	03.150	3	2B001932	05.020	28
1A008691	03.290	6	2A000453R	03.180	27	2B001983	06.050	8
1A009050	03.220	9	2A000468	03.290	4	2B002032	05.010	2
1A009050	03.270	11	2A000469	03.290	10	2B002146	08.030	8
1A011120	07.010	12	2A000535	03.160	10	2B002198	10.010	17
1A011247	03.180	58	2A000539	03.190	8	2B002201	03.210	3
1A011248	03.040	27	2A000547	03.290	12	2B002203	10.020	26
1A011257	03.040	2	2A000552	03.180	34	2B002204	10.020	8
1A011261	03.180	6	2A000554	03.180	33	2B002207	10.020	11
1A011263	03.040	20	2A000558	03.180	25	2B002208	10.020	17
1A012332	11.010	3	2A000559	03.130	6	2B002416	05.020	27
1A0131435	03.100	1	2A000559	03.140	6	2B002416	11.010	11
1A0132125	03.040	15	2A000569	03.040	31	2B002562	03.010	5
1A013806	03.220	18	2A000573	03.220	22	2B002567	09.010	28
1A013842	03.220	19	2A000576	03.190	6	2B002632	09.020	1
1A014175	03.040	14	2A000595	03.190	1	2B002634	05.020	23
1A014335	03.330	9	2A000613	03.100	29	2B002634	05.020	8
1A014402AA	03.150	1	2A000622AA	03.160	2	2B002634	11.010	12
1A014402BB	03.150	1	2A000622BB	03.160	2	2B002692	02.120	8
1A014490	03.190	3	2A000622CC	03.160	2	2B002695	02.040	16
1A015201	03.330	10	2A000622DD	03.160	2	2B002985	09.010	9
1A015311	03.090	10	2A000622EE	03.160	2	2B002985	11.010	36
1A015741	03.270	3	2A000630	03.150	2	2B003043	05.020	24
1A016340	03.160	13	2A000632	03.220	23	2B003169	05.010	15
1A016340	03.270	2	2A000634	03.230	1	2B003247	06.020	8
1A016742	03.220	1	2A0006715	03.130	2	2B003307	01.050	27
1A016761	03.220	24	2A0006725	03.140	2	2B003422	07.010	19
1A017552	03.040	19	2A000734	03.150	5	2B003431	02.180	2
1A017552	03.220	16	2A000735	03.150	6	2B003441	09.020	19
1A018304	03.160	9	2A000739	03.150	7	2B003443	03.330	22

Code	No. table	Pos.	Code	No. table	Pos.	Code	No. table	Pos.
2B003507	06.050	1	2B006936	03.010	7	2B007131000Q4	02.080	3
2B003508	06.050	4	2B006938	03.330	4	2B007131000XN5	02.080	3
2B003519	01.020	27	2B006939	03.330	5	2B007132	02.080	4
2B003519	06.030	22	2B006940	03.330	2	2B007132000NV	02.080	4
2B003552	07.030	1	2B006941	03.330	3	2B007132000Q4	02.080	4
2B003577	03.330	23	2B0069525	07.020	2	2B007132000XN5	02.080	4
2B003691	09.020	16	2B0069535	07.020	3	2B007138	01.010	28
2B003714	03.330	28	2B006969	02.040	1	2B007146	03.330	37
2B003714	09.020	14	2B006969000NV	02.040	1	2B007148	03.330	36
2B003744	04.080	2	2B006969000Q4	02.040	1	2B007168	03.050	2
2B003974	07.020	11	2B006969000XN5	02.040	1	2B007170	11.020	5
2B004072	02.140	16	2B006970	02.030	2	2B007178	02.140	3
2B004199	02.030	20	2B006970000N18	02.030	2	2B007191	08.010	7
2B004481	01.020	29	2B006970000NV	02.030	2	2B007192	08.010	8
2B004481	07.030	8	2B006970000Q4	02.030	2	2B007193	08.020	2
2B004511	01.050	22	2B006971	02.030	1	2B007194	03.050	26
2B004831	02.070	10	2B006971000N18	02.030	1	2B007234	06.010	1
2B005395	06.020	3	2B006971000NV	02.030	1	2B007235	06.010	2
2B005397	06.050	3	2B006971000Q4	02.030	1	2B007273	01.020	3
2B005398	06.050	22	2B006972	02.100	1	2B007274	01.020	2
2B005522	06.020	6	2B006973	02.100	2	2B007450	09.010	3
2B005564	06.020	7	2B006974	02.030	4	2B007456	03.010	24
2B005652	01.010	1	2B006975	02.030	3	2B007458	03.060	14
2B005798	02.040	7	2B006976	02.140	1	2B007459	02.030	7
2B005799	02.040	8	2B006976000NV	02.140	1	2B007488	03.050	12
2B005850	01.010	2	2B006976000Q4	02.140	1	2B007528	03.330	11
2B005852	04.010	12	2B006976000XN5	02.140	1	2B007578	02.030	6
2B005860	01.020	12	2B006977	02.140	2	2B007623	03.330	35
2B005861	01.020	13	2B006977000NV	02.140	2	2B007702	06.040	1
2B005862	01.020	15	2B006977000Q4	02.140	2	2B0077165	01.020	1
2B0058709	01.020	21	2B006977000XN5	02.140	2	2B0077175	01.020	8
2B0058729	01.020	22	2B006979	02.040	5	2B007719	10.020	31
2B005874	07.020	1	2B006980	02.040	6	2B007735	09.010	5
2B005929	07.010	2	2B006981	02.080	9	2B007742	09.020	11
2B005955	07.010	16	2B006982	02.080	7	2B0077435	09.020	9
2B006020	04.010	4	2B006982000NV	02.080	7	2B007807	11.010	35
2B006021	04.010	3	2B006982000Q4	02.080	7	2B007824	09.010	26
2B006022	04.010	7	2B006982000XN5	02.080	7	2B007836	11.010	27
2B006025	02.040	20	2B006983	02.080	8	2B007860	06.020	1
2B006026	02.040	19	2B006983000NV	02.080	8	2B007861	06.020	2
2B006134	11.010	22	2B006983000Q4	02.080	8	2B007888	01.030	1
2B006302	05.020	2	2B006983000XN5	02.080	8	2B008012	02.080	1
2B006304	05.020	2	2B006985	02.070	1	2B008013	02.080	2
2B006406	07.010	3	2B006986	02.070	3	2B008014	02.080	5
2B006407	04.080	1	2B006988	02.070	2	2B008014000NV	02.080	5
2B006408	04.010	1	2B006989	02.070	4	2B008014000Q4	02.080	5
2B006409	04.010	2	2B006990	02.040	2	2B008014000XN5	02.080	5
2B006421	11.010	40	2B006992000C1	02.120	2	2B008015	02.080	6
2B006465	09.010	24	2B006993000C1	02.120	6	2B008015000NV	02.080	6
2B0065604	10.010	9	2B006994	02.120	1	2B008015000Q4	02.080	6
2B0066075	07.010	1	2B006995	02.130	1	2B008015000XN5	02.080	6
2B006608	07.010	18	2B006996	02.140	5	2B008016	02.030	8
2B006616	03.330	1	2B006996000L06	02.140	5	2B008017	02.040	3
2B006641	02.140	7	2B006996000NV	02.140	5	2B008018	02.040	4
2B006695	04.010	13	2B006996000XN2	02.140	5	2B008110	03.330	30
2B006712	01.050	1	2B006997	02.140	6	2B008110	09.020	20
2B006746	05.020	5	2B006997000NV	02.140	6	2B008124	02.140	4
2B006758	06.040	9	2B006997000XN2	02.140	6	2B008129	01.010	29
2B006783	06.050	5	2B006997000XN5	02.140	6	2B008130	01.010	33
2B006798	11.030	2	2B007070	06.010	3	2B008185	01.010	34
2B006862	05.010	1	2B007071	06.010	4	2B008238	07.030	2
2B006863	05.020	1	2B007074	06.010	8	2B008268	01.010	27
2B006921	01.050	2	2B007077	06.010	5	2B008278	08.010	5
2B006922	02.150	1	2B007127	03.330	7	2B008321	10.020	15
2B006923	01.050	3	2B007128	03.330	8	2B008356	02.080	21
2B006935	01.050	23	2B007131	02.080	3	2B008356000NV	02.080	21
2B006935	06.040	7	2B007131000NV	02.080	3	2B008356000Q4	02.080	21

Code	No. table	Pos.	Code	No. table	Pos.	Code	No. table	Pos.
2B008356000XN5	02.080	21	2H005077	02.190	4	582690	11.030	11
2B008388	07.010	21	2H005078	02.190	15	640485	10.020	25
2B008417	09.020	13	2H005079	02.190	23	641815	03.090	11
2B008438	09.010	6	2H005080	02.190	24	642302	03.060	6
2B008446	05.020	24	2H005081	02.190	25	648707	01.050	6
2B008446	05.020	25	2H005082	02.190	26	648708	01.050	7
2B008510	02.190	22	2H005386000NV	09.010	1	658830	01.020	25
2B008558	04.010	8	2H005386000Q4	09.010	1	658830	03.220	10
2B008635	02.030	5	2H005397	02.190	1	658830	03.290	15
2B008653	10.020	3	2H005398	02.190	27	658830	06.010	17
2B008732	03.010	14	2H005399	02.190	28	658830	06.030	20
2B008790	04.010	14	2H005400	02.190	3	709099	03.190	21
2B008842	02.140	24	2H005401	02.190	4	825597	03.100	8
2B008854	09.010	1	2H005402	02.190	5	840893	03.210	4
2B008946	05.010	7	2H005403	02.190	6	852090	03.330	32
2B009189	03.010	11	2H005404	02.190	13	852398	07.020	11
2B009702	08.010	10	2H005405	02.190	14	852480	03.010	3
2B009898000C2	02.120	2	2H005406	02.190	16	85248R	05.020	26
2B010005	05.020	2	2H005407	02.190	17	85273R	03.190	22
2B010009	05.010	2	2H005408	02.190	23	854909	03.180	44
2B010047	04.080	12	2H005409	02.190	24	854951	03.180	45
2B010727	09.010	2	2H005410	02.190	15	855632	03.100	16
2B011237	10.020	1	2H005411	02.190	9	856027	07.020	8
2D000095	07.020	6	2H005412	02.190	10	856063	09.020	4
2D000095	11.010	5	2H005413	02.190	30	856082	10.020	40
2D000158	11.030	4	2H005414	02.190	29	856279	10.020	10
2D000257	02.040	18	2H005415	02.190	31	856543	10.020	28
2D000258	02.040	17	2H005416	02.190	32	856630	03.320	3
2D000263	03.330	21	2H005417	02.190	18	856631	03.320	1
2D000284	08.030	4	2H005418	02.190	19	856632	03.320	2
2D000300	03.180	47	2H005419	02.190	7	857016	03.100	24
2D000325	01.020	26	2H005420	02.190	8	857017	03.100	22
2D000325	06.030	15	2H005453	02.190	7	857024	03.100	15
2D000325	07.030	3	2H005454	02.190	8	857035	03.100	2
2D000465	08.010	1	2H005835	02.190	1	857042	03.100	4
2D000505	02.170	1	2H005836	02.190	27	857043	03.090	8
2D000509	02.170	7	2H005837	02.190	28	857044	03.100	20
2D000517	09.010	8	2H005838	02.190	13	857045	03.100	19
2D000530	01.030	5	2H005839	02.190	14	857046	03.100	17
2D000546	08.030	1	2H005840	02.190	16	857047	03.100	18
2D000548	07.020	4	2H005841	02.190	17	857048	03.100	27
2D000550	07.020	5	2H005842	02.190	23	857048	03.270	7
2D000551	07.020	5	2H005843	02.190	24	857071	03.090	2
2D000563	11.010	39	2H005844	02.190	15	857074	03.090	9
2D000573	08.030	2	2H005845	02.190	9	857078	03.220	8
2D000574	08.030	3	2H005846	02.190	10	857083	03.100	26
2D000579	11.030	1	2H005847	02.190	30	857084	03.090	4
2D000589	06.050	6	2H005848	02.190	29	857085	03.100	3
2D000594	11.020	12	2H005849	02.190	31	857090	03.040	12
2D000600	11.010	1	2H005850	02.190	32	857094	03.140	10
2D000601	08.020	1	2H005851	02.190	18	857096	03.130	11
2D000603	10.020	2	2H005852	02.190	19	857096	03.140	11
2D000627	11.010	26	2L002131	03.330	16	857109	03.040	17
2D000632	11.010	6	2L002133	03.330	17	857123	03.180	36
2D000679	11.010	42	2Q000438	02.180	1	857126	03.150	8
2D000697	08.020	1	2Q000439	02.180	1	857128	03.040	9
2G000644	02.190	36	411209	03.040	5	8571300G	03.160	8
2G000736	02.190	33	411209	03.100	5	8571300N	03.160	8
2G000737	02.190	35	411209	03.220	5	8571300V	03.160	8
2G000740	02.190	34	411209	03.270	13	8571320G	03.160	7
2H000874	02.190	12	436438	03.100	11	8571320N	03.160	7
2H003453	02.190	20	436947	03.330	34	8571320V	03.160	7
2H004176	02.190	1	478895	03.100	14	857144	03.040	22
2H004186	02.190	11	576836	09.010	13	857147	03.190	17
2H005071000XN5	09.010	1	581957	02.040	10	857168	03.190	10
2H005075	02.190	2	581957	02.080	12	857175	03.180	8
2H005076	02.190	3	581957	04.010	11	857176	03.130	13

Code	No. table	Pos.	Code	No. table	Pos.	Code	No. table	Pos.
857176	03.140	13	858808	03.050	13	894794	03.230	3
857176	03.190	18	858819	02.070	5	894821	03.230	22
857176	03.190	4	858886	02.100	3	894846	05.010	2
857176	03.270	5	858886	09.010	16	895316	03.290	11
857181	03.320	7	858916	11.010	4	895450	10.020	37
857184	03.190	16	858927	10.010	7	895915	02.030	12
857187	03.190	11	858936	01.050	14	895916	02.040	11
857189	03.190	9	858955	02.170	5	895916	04.010	9
857192	03.190	23	859754	05.020	18	895959	09.010	7
857206	03.160	6	859792	04.010	10	896174	02.030	14
857208	03.040	13	859792	06.040	5	896174	02.080	14
857208	03.100	7	859946	06.030	9	896174	02.130	11
857230	03.180	31	860447	02.100	9	896174	02.140	14
857231	03.180	30	860744	11.030	12	896358	05.020	3
857232	03.180	28	871094	03.270	8	896565	03.060	12
857233	03.180	16	872117	03.150	10	896566	03.060	13
857234	03.180	29	872117	03.270	10	896567	03.060	10
857236	03.180	10	873097	03.100	23	897360	03.010	15
857242	03.180	21	874555	03.220	25	897367	05.020	1
857244	03.180	17	874555	03.270	12	897434	03.040	3
857245	03.180	24	876413	07.010	14	897434	03.100	6
857246	03.180	23	884033	03.010	22	897434	03.290	3
857247	03.180	13	890002	01.050	9	897435	03.040	24
857248	03.180	14	890499	09.020	3	897436	03.040	23
857249	03.180	56	890760	11.010	19	897443	03.090	7
857250	03.180	7	890760	11.010	34	897444	03.130	5
857251	03.180	35	890827	03.180	43	897444	03.140	5
857253	03.180	41	890979	11.010	2	897474	03.160	14
857260	03.180	51	890982	07.030	5	897478	03.160	5
857271	03.180	5	893044	01.030	3	897596	05.010	1
857274	03.180	37	893045	01.030	4	897775	10.020	47
857290	03.290	7	893108	02.130	3	898047	10.020	43
857298	03.290	5	893109	02.130	2	898134	03.010	12
857305	03.060	3	893132	03.050	22	898252	11.030	3
857306	03.060	11	893138	06.030	11	898268	03.270	4
857308	03.180	12	893224	10.020	19	898269	03.270	14
857309	03.180	15	893240	03.050	25	898385	03.330	12
857427	03.040	4	893259	02.140	23	898394	08.010	3
857427	03.180	54	893273	09.010	14	898410	03.090	3
857429	03.220	2	893513	10.020	22	898463	03.010	13
857436	03.220	3	893514	10.020	20	898633	03.180	26
857451	03.220	6	893767	03.230	18	898634	03.180	2
857452	03.190	29	893769	03.230	20	898635	03.180	3
857460	03.220	21	893770	03.230	21	898636	03.180	50
857461	03.220	17	893772	03.230	23	898694	06.030	3
85746200XNB	03.270	6	893774	03.230	2	898695	06.030	4
857477	03.130	8	893777	03.230	8	899483	03.230	16
857477	03.140	8	893778	03.230	9	899599	03.180	49
857494	03.180	46	893779	03.230	10	899601	03.230	17
857496	03.040	21	893780	03.230	11	899642	10.020	30
857501	03.090	5	893782	03.230	15	899769	03.290	2
857543	03.220	7	893783	03.230	4	899862	03.290	9
857546	03.130	3	893784	03.230	5	974060	03.040	26
857546	03.140	3	893819	02.190	21	974229	03.220	11
858489	10.010	13	893823	10.020	21	976521	03.330	6
858707	01.050	5	893926	07.030	7	AP8101372	09.010	25
858708	01.050	10	893933	06.030	1	AP8101595	06.010	10
858710	01.010	12	893940	03.230	6	AP8101595	09.010	27
858712	01.010	20	893941	03.230	7	AP8101595	10.020	9
858714	01.010	13	893942	03.230	12	AP8101861	01.020	18
858717	01.010	7	893943	03.230	13	AP8102151	11.010	15
858718	01.010	8	893944	03.230	14	AP8102239	09.020	10
858727	03.320	8	893954	10.020	5	AP8102349	10.010	8
858729	01.010	3	893968	03.210	5	AP8102375	01.050	26
858731	05.020	7	893969	06.040	6	AP8102375	02.030	13
858785	06.030	5	894195	02.120	10	AP8102375	02.100	7
858807	03.050	10	894658	03.060	7	AP8102375	02.130	13



Code	No. table	Pos.
AP8102375	08.030	9
AP8102375	09.010	18
AP8102378	10.020	13
AP8102381	02.040	13
AP8102381	02.080	13
AP8102381	02.130	12
AP8102381	06.050	11
AP8102386	04.010	5
AP8102386	11.010	21
AP8102386	11.030	14
AP8102504	02.130	8
AP8102520	09.020	2
AP8102520	10.020	41
AP8102523	02.170	12
AP8102524	01.030	2
AP8102544	01.010	30
AP8102738	09.020	12
AP8102902	01.010	22
AP8102913	02.170	4
AP8104390	01.010	32
AP8104614	09.020	7
AP8104666	09.020	17
AP8104719	02.170	6
AP8104728	05.010	13
AP8104728	05.020	20
AP8104803	02.170	10
AP8110065	04.080	3
AP8110068	04.080	4
AP8110077	07.010	4
AP8110078	01.050	13
AP8110081	05.020	14
AP8110093	05.020	15
AP8110094	05.010	5
AP8112916	08.030	5
AP8113070	06.040	4
AP8113230	06.010	19
AP8113230	06.020	5
AP8113752	06.040	3
AP8116071	04.010	6
AP8117033	01.010	23
AP8117033	10.020	7
AP8120030	06.010	14
AP8120030	06.050	17
AP8120030	08.010	4
AP8120030	10.010	4
AP8120030	10.020	14
AP8120177	02.120	9
AP8120190	07.020	12
AP8120223	02.130	10
AP8120223	06.050	14
AP8120253	03.010	2
AP8120416	11.030	13
AP8120446	09.020	6
AP8120446	09.020	8
AP8120573	10.020	34
AP8120622	02.030	15
AP8120663	09.010	15
AP8120822	06.030	13
AP8120912	03.010	17
AP8120912	06.030	7
AP8120952	10.020	29
AP8120965	03.040	29
AP8120965	09.010	20
AP8121032	01.050	28
AP8121032	03.320	9
AP8121032	03.330	29
AP8121032	06.050	18

Code	No. table	Pos.
AP8121075	11.010	9
AP8121096	02.170	18
AP8121133	01.020	19
AP8121155	04.080	7
AP8121170	03.330	31
AP8121184	02.080	17
AP8121184	02.080	23
AP8121184	02.140	21
AP8121199	03.330	15
AP8121204	01.050	8
AP8121207	07.010	5
AP8121212	05.020	13
AP8121213	05.020	11
AP8121221	03.010	16
AP8121221	06.030	6
AP8121223	06.030	10
AP8121224	01.020	5
AP8121311	09.020	22
AP8121428	10.010	6
AP8121475	02.170	17
AP8121566	01.020	4
AP8121570	01.050	4
AP8121592	05.020	21
AP8121728	10.020	46
AP8121795	11.020	13
AP8121811	03.330	33
AP8121915	06.050	7
AP8121929	11.010	29
AP8121991	10.020	35
AP8121991	11.010	13
AP8123641	07.010	6
AP8123642	07.010	7
AP8123643	07.010	8
AP8124718	02.140	20
AP8125687	01.050	11
AP8125728	05.010	9
AP8125730	05.020	10
AP8125732	05.020	12
AP8125838	05.020	17
AP8125839	05.020	19
AP8125841	05.010	8
AP8125842	05.010	14
AP8125843	05.010	6
AP8125921	06.010	9
AP8127601	09.020	5
AP8133502	06.010	18
AP8133666	06.010	7
AP8133824	06.020	4
AP8134383	06.010	12
AP8134451	01.020	17
AP8134829	01.020	16
AP8134948	02.170	11
AP8140711	02.170	2
AP8141017	09.020	18
AP8144005	01.050	12
AP8144007	03.010	21
AP8144007	06.030	8
AP8144008	10.010	14
AP8144033	10.020	12
AP8144048	01.050	15
AP8144087	02.140	25
AP8144424	03.220	12
AP8144443	01.050	25
AP8144444	01.050	24
AP8144552	11.030	5
AP8144553	11.030	15
AP8144563	02.030	16

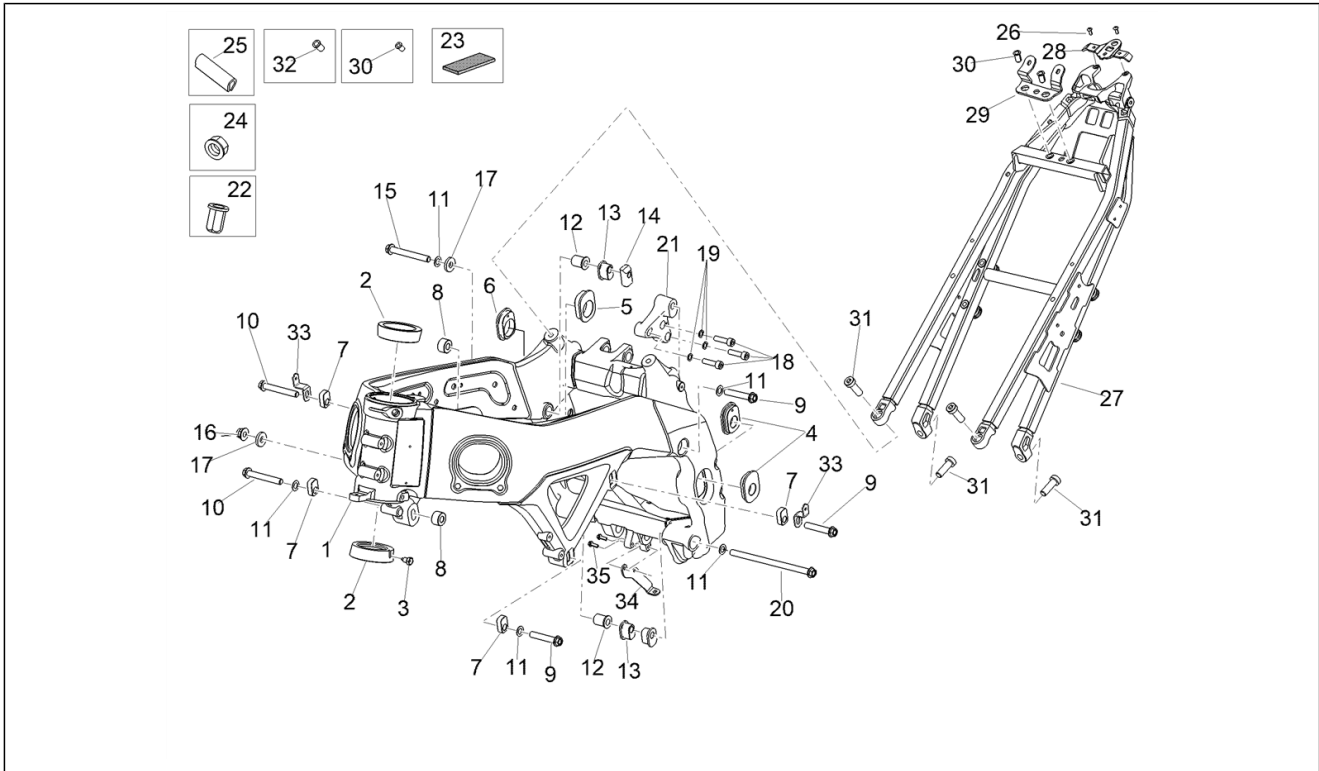
Code	No. table	Pos.
AP8144563	02.080	10
AP8144563	11.020	7
AP8144564	02.040	9
AP8144564	02.080	18
AP8144564	02.080	22
AP8144616	02.030	17
AP8144616	02.080	11
AP8144616	11.020	8
AP8144707	01.010	25
AP8144720	10.020	38
AP8146516	04.080	9
AP8146518	04.080	5
AP8146616	01.020	20
AP8146617	01.020	24
AP8148824	01.050	19
AP8150011	06.050	20
AP8150011	10.020	23
AP8150015	10.020	44
AP8150017	02.170	15
AP8150020	03.010	20
AP8150044	03.190	26
AP8150044	03.330	27
AP8150044	09.020	21
AP8150107	01.010	18
AP8150115	03.330	24
AP8150137	03.320	10
AP8150137	07.020	10
AP8150137	10.010	12
AP8150164	01.020	23
AP8150179	02.040	15
AP8150179	11.010	8
AP8150182	01.020	11
AP8150204	02.140	18
AP8150204	10.020	24
AP8150220	07.010	13
AP8150236	02.170	13
AP8150236	03.330	14
AP8150236	07.010	11
AP8150255	08.020	6
AP8150255	09.010	30
AP8150269	01.030	6
AP8150272	02.140	22
AP8150285	02.170	9
AP8150285	03.040	18
AP8150292	01.010	11
AP8150292	01.030	8
AP8150340	01.020	14
AP8150340	06.010	11
AP8150376	03.010	19
AP8150382	11.020	3
AP8150403	03.330	25
AP8150403	09.010	22
AP8150413	02.040	12
AP8150413	02.080	16
AP8150413	02.140	13
AP8150421	03.050	19
AP8150429	03.220	4
AP8150430	06.030	21
AP8150431	03.010	18
AP8150431	03.330	18
AP8150450	02.130	9
AP8150462	03.010	23
AP8150462	06.030	14
AP8150468	01.050	20
AP8150469	01.010	31
AP8150474	06.010	16
AP8150500	01.020	28

Code	No. table	Pos.	Code	No. table	Pos.	Code	No. table	Pos.
AP8150500	01.050	18	AP8152299	08.030	6	AP8224470	09.010	10
AP8150500	02.030	11	AP8152299	09.010	12	AP8224470	11.010	32
AP8150500	02.030	19	AP8152299	10.010	5	AP8234020	01.050	16
AP8150500	02.070	7	AP8152299	11.010	10	AP8706087	06.050	13
AP8150500	02.080	19	AP8152299	11.010	37	AP9100053	06.050	12
AP8150500	02.100	8	AP8152301	01.010	16	AP9100174	02.120	11
AP8150500	02.150	2	AP8152301	04.080	8	AP9100433	03.040	6
AP8150500	06.030	17	AP8152302	02.070	6	AP9100456	10.020	27
AP8150500	06.040	8	AP8152302	02.080	20	AP9100519	07.030	6
AP8150500	07.010	20	AP8152302	02.100	6	AP9100519	11.020	9
AP8150500	08.020	3	AP8152302	02.130	6	AP9100765	11.010	18
AP8150501	02.140	19	AP8152302	02.140	15	AP9150006	03.180	39
AP8150501	08.030	7	AP8152306	02.030	10	AP9150051	03.180	38
AP8150506	01.010	24	AP8152318	01.030	7	AP9150145	03.040	25
AP8150506	02.040	14	AP8152318	03.180	42	AP9150145	03.180	4
AP8150506	02.070	11	AP8152323	05.010	12	B043204	03.160	11
AP8150509	08.010	6	AP8152323	05.020	22	B043231	03.210	6
AP8150509	08.020	7	AP8152324	05.020	9	B043317	05.020	6
AP8150509	11.020	2	AP8152329	03.050	11	B043542	03.220	20
AP8150536	09.010	23	AP8152329	03.050	20	B043864	02.170	19
AP8150538	02.100	4	AP8152329	03.050	8	B043880	02.130	4
AP8150538	09.010	17	AP8152329	03.060	5	B043929	02.170	3
AP8150540	01.020	9	AP8152335	05.010	10	B043933	02.120	4
AP8150540	07.010	15	AP8152339	09.010	19	B043933	02.120	7
AP8150543	07.020	9	AP8152398	01.010	15	B043941	02.120	3
AP8152003	03.040	10	AP8152409	01.020	6	B044365	03.230	19
AP8152003	03.290	14	AP8152410	01.010	9	B044474	03.230	24
AP8152043	06.050	19	AP8152411	04.080	10	B044495	03.290	1
AP8152043	07.020	7	AP8152412	04.080	6	B044550	09.010	4
AP8152117	11.010	7	AP8152413	04.080	11	B044551	06.050	9
AP8152137	06.040	2	AP8152441	01.010	17	B044586	06.030	12
AP8152137	06.010	13	AP8152442	07.010	10	B044594	06.050	23
AP8152137	08.030	10	AP8152481	01.010	10	B044718	03.190	24
AP8152154	01.010	19	AP8161127	09.010	29	B045095	06.050	2
AP8152154	02.170	16	AP8163170	07.010	9	B045126	03.040	28
AP8152174	01.010	26	AP8176101	05.020	16	B045224	03.040	11
AP8152174	01.050	17	AP8201727	10.010	15	B045224	03.180	55
AP8152186	06.050	16	AP8201727	10.020	39	B045224	03.220	15
AP8152238	02.170	14	AP8201727	11.020	6	B045225	03.220	13
AP8152270	08.010	2	AP8201808	10.020	42	B045263	02.130	7
AP8152272	10.020	18	AP8213057	06.010	6	B045476	03.130	14
AP8152273	03.180	48	AP8220150	08.020	5	B045844	03.160	3
AP8152273	06.040	10	AP8220150	11.020	4	B046072	03.190	2
AP8152275	06.050	15	AP8220177	03.010	6	CM001901	09.020	15
AP8152277	03.010	9	AP8220186	08.030	13	CM001905	03.320	4
AP8152277	03.040	32	AP8220186	11.010	30	CM001927	03.050	15
AP8152277	03.090	6	AP8220709	11.020	10	CM002903	03.060	4
AP8152277	07.010	17	AP8221023	06.010	15	CM002912	03.050	14
AP8152277	10.010	10	AP8221023	06.050	10	CM002916	03.320	5
AP8152278	01.010	35	AP8221023	10.010	3	CM013202	11.010	17
AP8152279	03.010	1	AP8221023	10.020	33	CM013203	11.010	20
AP8152279	10.020	4	AP8221036	08.030	12	CM013203	11.020	14
AP8152279	10.020	45	AP8221114	11.010	24	CM178606	02.120	5
AP8152279	11.010	14	AP8221129	02.170	8	CM179201	02.140	9
AP8152280	10.010	2	AP8221145	10.020	32	CM179201	08.010	9
AP8152285	03.330	19	AP8221150	10.020	36	CM179301	02.140	8
AP8152286	05.010	11	AP8221206	06.030	19	CM224906	05.020	4
AP8152287	03.180	57	AP8221310	11.010	16	CM225401	03.320	6
AP8152289	03.040	8	AP8221311	11.010	23	CM225607	11.030	6
AP8152292	03.040	16	AP8221311	11.020	11	CM225710	11.030	7
AP8152294	03.040	7	AP8221349	01.050	29	CM225715	11.030	8
AP8152298	02.140	10	AP8221349	02.140	11	CM225720	11.030	9
AP8152298	02.140	17	AP8224163	02.030	9	CM225725	11.030	10
AP8152298	08.030	11	AP8224462	11.010	41	CM228001	03.110	1
AP8152298	11.010	28	AP8224470	01.020	10	CM228002	03.110	1
AP8152299	02.140	12	AP8224470	03.010	4	CM228003	03.110	1
AP8152299	03.290	16	AP8224470	06.030	16	CM228004	03.110	1



Code	No. table	Pos.
CM228005	03.110	1
CM228006	03.110	1
CM228007	03.110	1
CM228008	03.110	1
CM228009	03.110	1
CM228010	03.110	1
CM228011	03.110	1
CM228012	03.110	1
CM228013	03.110	1
CM228014	03.110	1
CM228015	03.110	1
CM228016	03.110	1
CM228017	03.110	1
CM228018	03.110	1
CM228019	03.110	1
CM228020	03.110	1
CM228021	03.110	1
CM228022	03.110	1
CM228023	03.110	1
CM228024	03.110	1
CM228025	03.110	1
CM228026	03.110	1
CM228027	03.110	1
CM228028	03.110	1
CM228029	03.110	1
CM228030	03.110	1
CM228031	03.110	1
CM228032	03.110	1
CM228033	03.110	1
CM228034	03.110	1
CM228035	03.110	1
CM228036	03.110	1
CM228037	03.110	1
CM228038	03.110	1
CM228039	03.110	1
CM228040	03.110	1
CM228041	03.110	1
CM228042	03.110	1
CM228043	03.110	1
CM228044	03.110	1
CM228045	03.110	1
CM228046	03.110	1
CM228047	03.110	1
CM228048	03.110	1
CM228049	03.110	1
CM228050	03.110	1
CM228051	03.110	1
CM228052	03.110	1
CM228053	03.110	1
CM228054	03.110	1
CM228055	03.110	1
CM228056	03.110	1
CM228057	03.110	1
CM269603	10.020	16
CM269609	03.210	2
CM269609	10.020	6
CM3016055	03.010	10
CM3018044	11.020	1
GU05677730	01.020	7
GU30027931	03.050	18
GU30729330	03.050	17
GU91120607	03.330	26
GU95005306	11.010	33
GU98210612	09.010	11
GU98210612	11.010	38
GU98370616	03.180	53
GU98370630	06.030	18

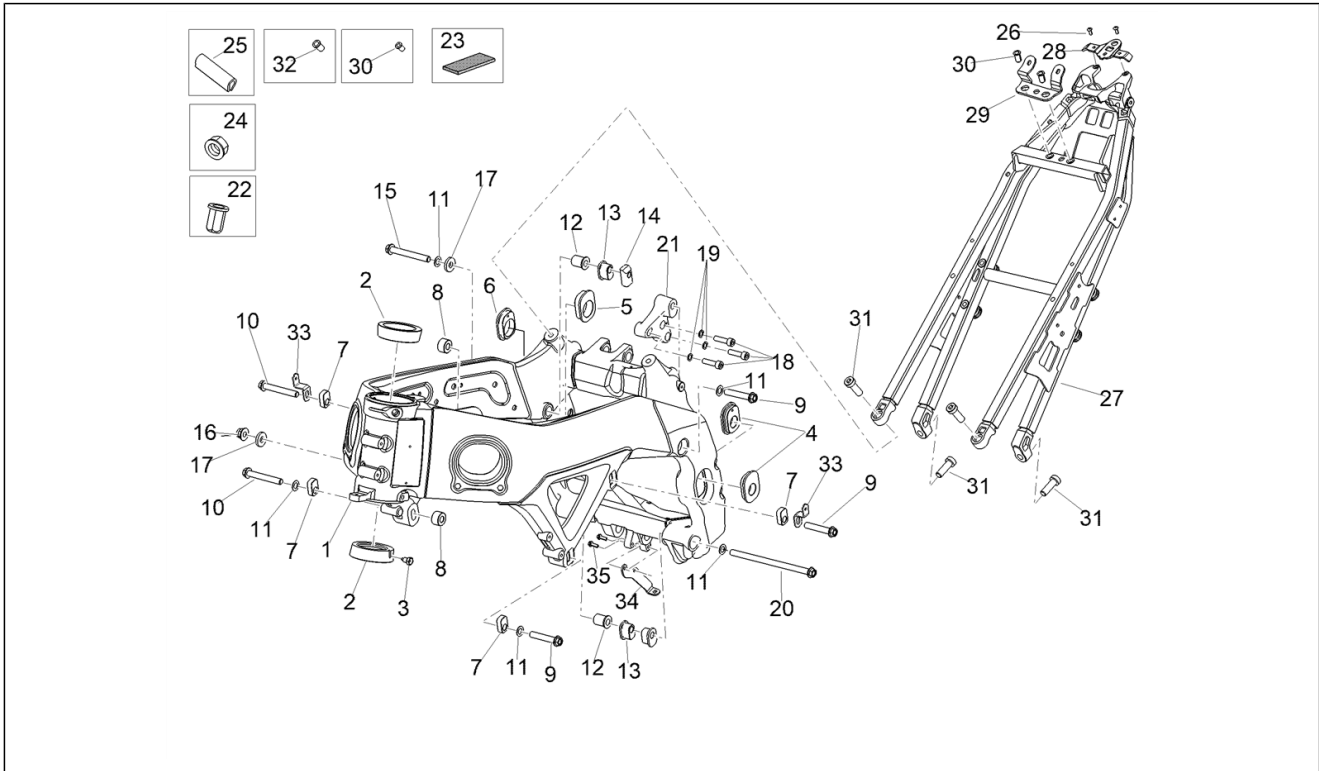
<b>Group</b>	Frame/bodywork
<b>Code</b>	01.010
<b>Description</b>	Frame/bodywork
<b>Service</b>	1



Pos.	Code	Description	Qty	Variants
1	2B005652	Frame, anod.	1	
2	2B005850	Steering bushing	2	
3	858729	Dowel	2	
4	2B001451	LH -5 Swingarm insert	2	
5	2B001453	RH -5 int. Swingarm insert	1	
6	2B001452	External swingarm insert RH -5	1	
7	858717	Front Insert pos. +5	4	
8	858718	RH spacer	2	
9	AP8152410	Screw w/ flange M10x55	3	
10	AP8152481	Screw w/ flange	2	
11	AP8150292	Curved spring washer *	7	
12	858710	Bush	2	
13	858714	Rear Insert pos. +5	3	
14	2B001454	Rear Insert pos. -5	1	
15	AP8152398	Screw w/ flange M10x80	1	
16	AP8152301	Self-locking nut	1	
17	AP8152441	Washer 10,5x25x4	2	
18	AP8150107	Hex socket screw M8x30	3	
19	AP8152154	Washer 8,4x13*	3	
20	858712	Pin	1	
21	2B001354	Rear engine support	1	
22	AP8102902	Hex threaded insert	4	
23	AP8117033	Adhesive sponge	1	
24	AP8150506	Flanged nut	4	
25	AP8144707	Gasket	1	
26	AP8152174	Hex socket screw m5X12	1	
27	2B008268	Saddle support	1	
28	2B007138	Tail light support bracket	1	

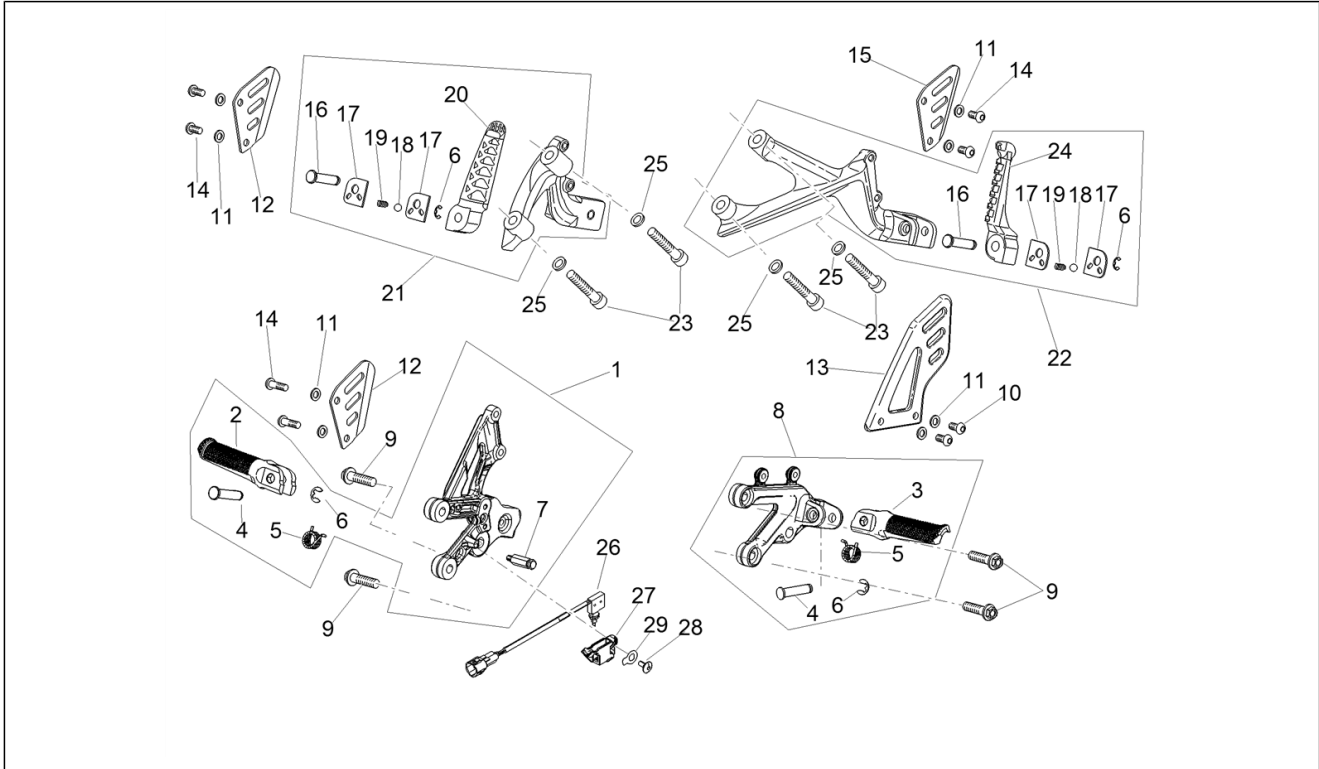


<b>Group</b>	Frame/bodywork
<b>Code</b>	01.010
<b>Description</b>	Frame/bodywork
<b>Service</b>	1



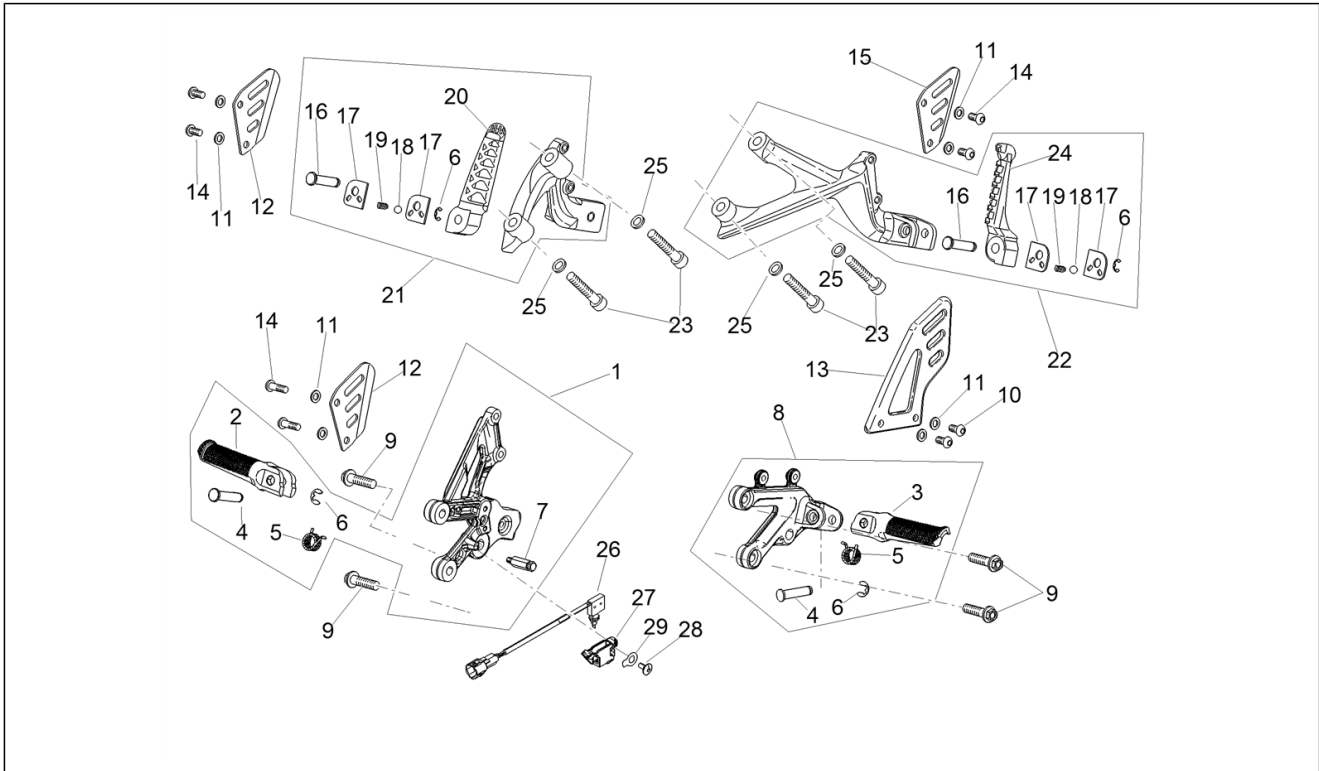
Pos.	Code	Description	Qty	Variants
29	2B008129	Saddle support plate	1	
30	AP8102544	Threaded rivet M6	4	
31	AP8150469	Hex socket screw M10x30	4	
32	AP8104390	Threaded rivet M5	8	
33	2B008130	Front fairing support	1	
34	2B008185	Fixing bracket	1	
35	AP8152278	Screw w/ flange M6x16	2	

<b>Group</b>	Frame/bodywork
<b>Code</b>	01.020
<b>Description</b>	Foot rests
<b>Service</b>	1



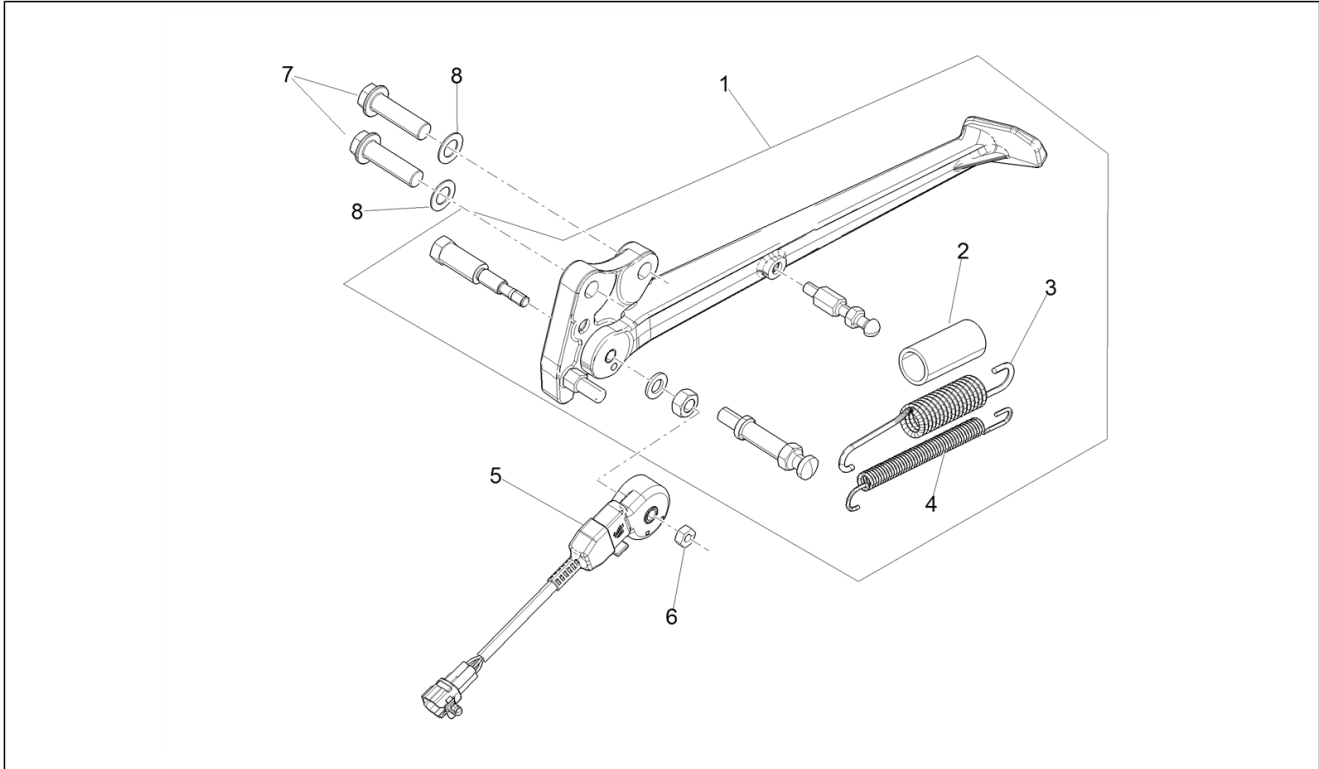
Pos.	Code	Description	Qty	Variants
1	2B0077165	RH front footrest bracket	1	
2	2B007274	RH Foot rests	1	
3	2B007273	LH Foot rests	1	
4	AP8121566	Footrest pin	2	
5	AP8121224	Footrest return spring	2	
6	AP8152409	Stop ring	2	
7	GU05677730	Springs fixing pin	1	
8	2B0077175	LH front footrest bracket	1	
9	AP8150540	Screw	4	
10	AP8224470	Hex socket screw M6x20 inox	2	
11	AP8150182	Curved spring washer *	8	
12	2B005860	RH guard	2	
13	2B005861	LH protection	1	
14	AP8150340	Hex socket screw M6X12	6	
15	2B005862	LH rear footrest guard	1	
16	AP8134829	Footrest pin	2	
17	AP8134451	Footrest plate	4	
18	AP8101861	Ball D6,35	2	
19	AP8121133	Coil compress. spring	2	
20	AP8146616	Rear footrest, RH	1	
21	2B0058709	Rear footrest, RH cpl	1	
22	2B0058729	Rear footrest, LH	1	
23	AP8150164	Hex socket screw M8x45	4	
24	AP8146617	Rear footrest, LH	1	
25	658830	Curved spring washer 6x12	4	
26	2D000325	Stop/clutch switch	1	
27	2B003519	switch mount	1	
28	AP8150500	Hex socket screw M5x9 NERINOX	1	

<b>Group</b>	Frame/bodywork
<b>Code</b>	01.020
<b>Description</b>	Foot rests
<b>Service</b>	1



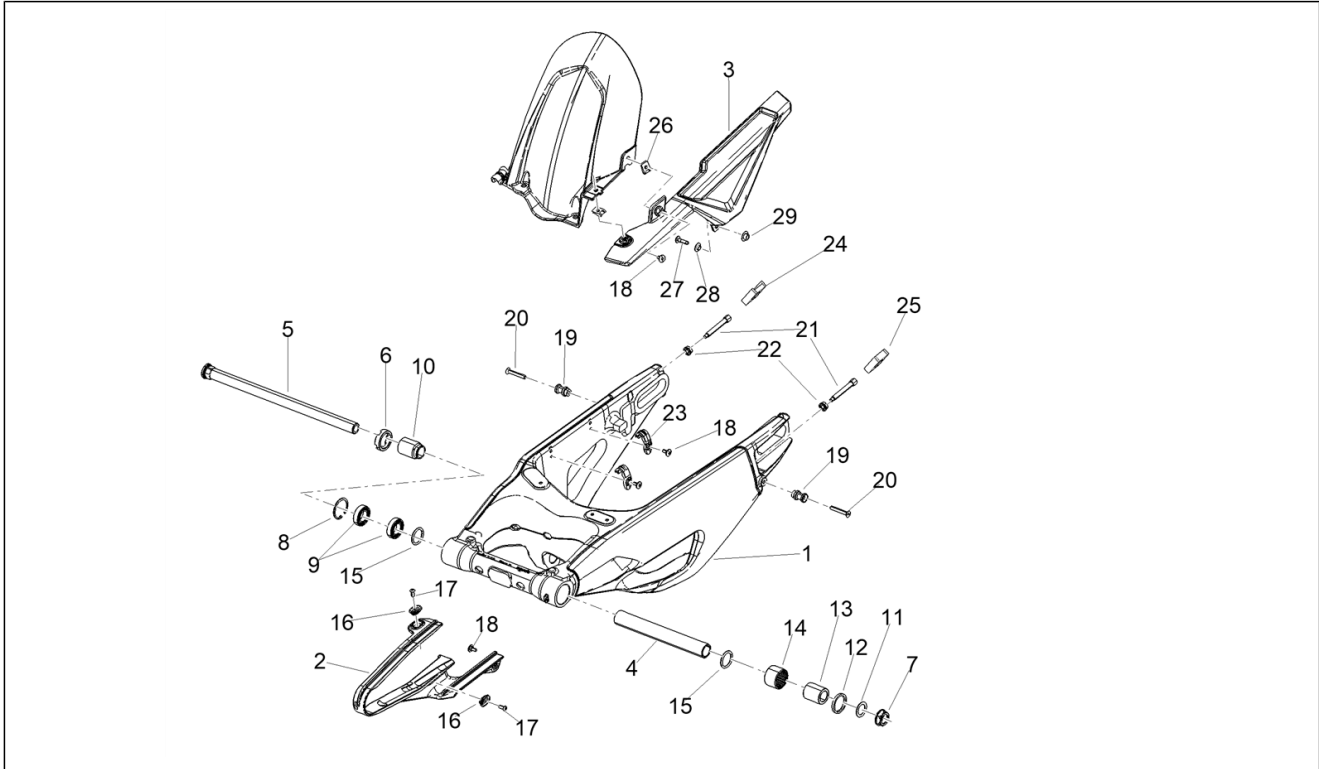
Pos.	Code	Description	Qty	Variants
29	2B004481	Safety washer	1	

<b>Group</b>	Frame/bodywork
<b>Code</b>	01.030
<b>Description</b>	Stand
<b>Service</b>	1



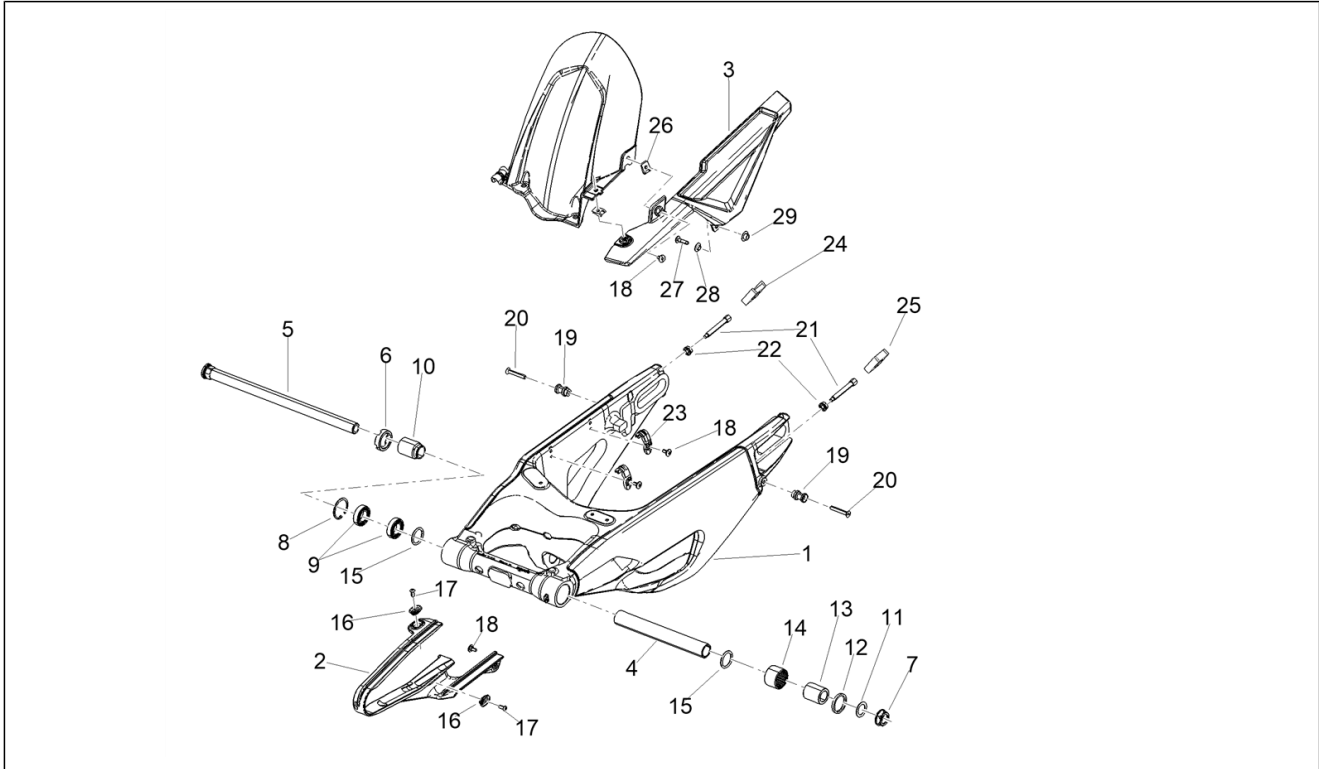
Pos.	Code	Description	Qty	Variants
1	2B007888	Sidestand assy	1	
2	AP8102524	Stand spring protection	1	
3	893044	Outer spring	1	
4	893045	Inner spring	1	
5	2D000530	Rotary switch	1	
6	AP8150269	Nut M6	1	
7	AP8152318	Screw w/ flange M10x35	2	
8	AP8150292	Curved spring washer *	2	

<b>Group</b>	Frame/bodywork
<b>Code</b>	01.050
<b>Description</b>	Swing arm
<b>Service</b>	1



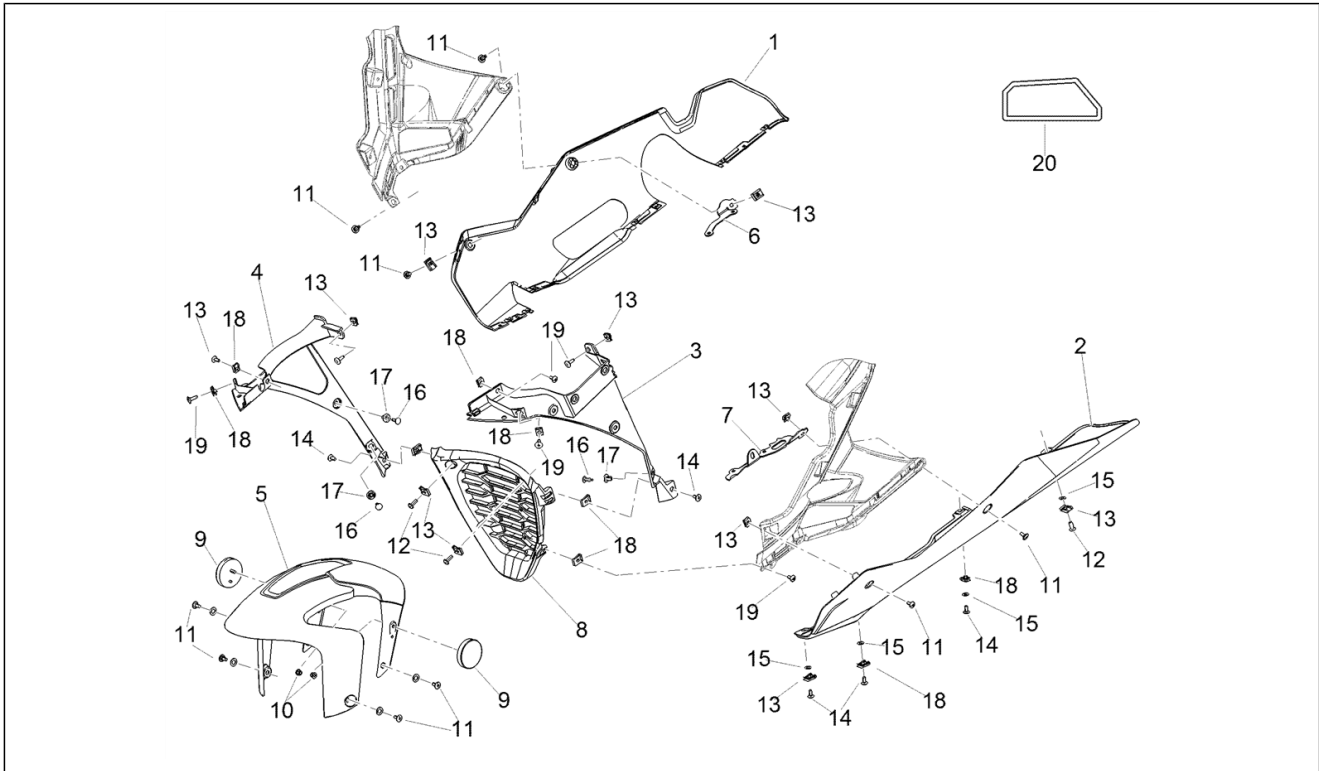
Pos.	Code	Description	Qty	Variants
1	2B006712	Swing arm	1	
2	2B006921	Chain guide shoe	1	
3	2B006923	Chain guard	1	
4	AP8121570	Internal spacer	1	
5	858707	Rear swing arm pin	1	
6	648707	Swing arm ring nut	1	
7	648708	Rear wheel spindle nut	1	
8	AP8121204	Inside circlip d37	1	
9	890002	Ball bearing 61904-2RS1	2	
10	858708	Adjustment bush	2	
11	AP8125687	Wheel pin washer	1	
12	AP8144005	Oil seal	1	
13	AP8110078	Drawn cap	1	
14	858936	Rear int.sw.arm piv.bush	1	
15	AP8144048	O-ring 134	2	
16	AP8234020	Cup for shoe	2	
17	AP8152174	Hex socket screw m5X12	2	
18	AP8150500	Hex socket screw M5x9 NERINOX	6	
19	AP8148824	Maintenance	2	
20	AP8150468	Screw M6x40	2	
21	2B001920	Chain tens.adjuster screw	2	
22	2B004511	Nut M8	2	
23	2B006935	Fairlead	2	
24	AP8144444	RH chain guide plate	1	
25	AP8144443	LH chain guide plate	1	
26	AP8102375	Clip M5	1	
27	2B003307	TBEI pre-impregnated screw M5x20	1	
28	AP8121032	Bush	1	

<b>Group</b>	Frame/bodywork
<b>Code</b>	01.050
<b>Description</b>	Swing arm
<b>Service</b>	1



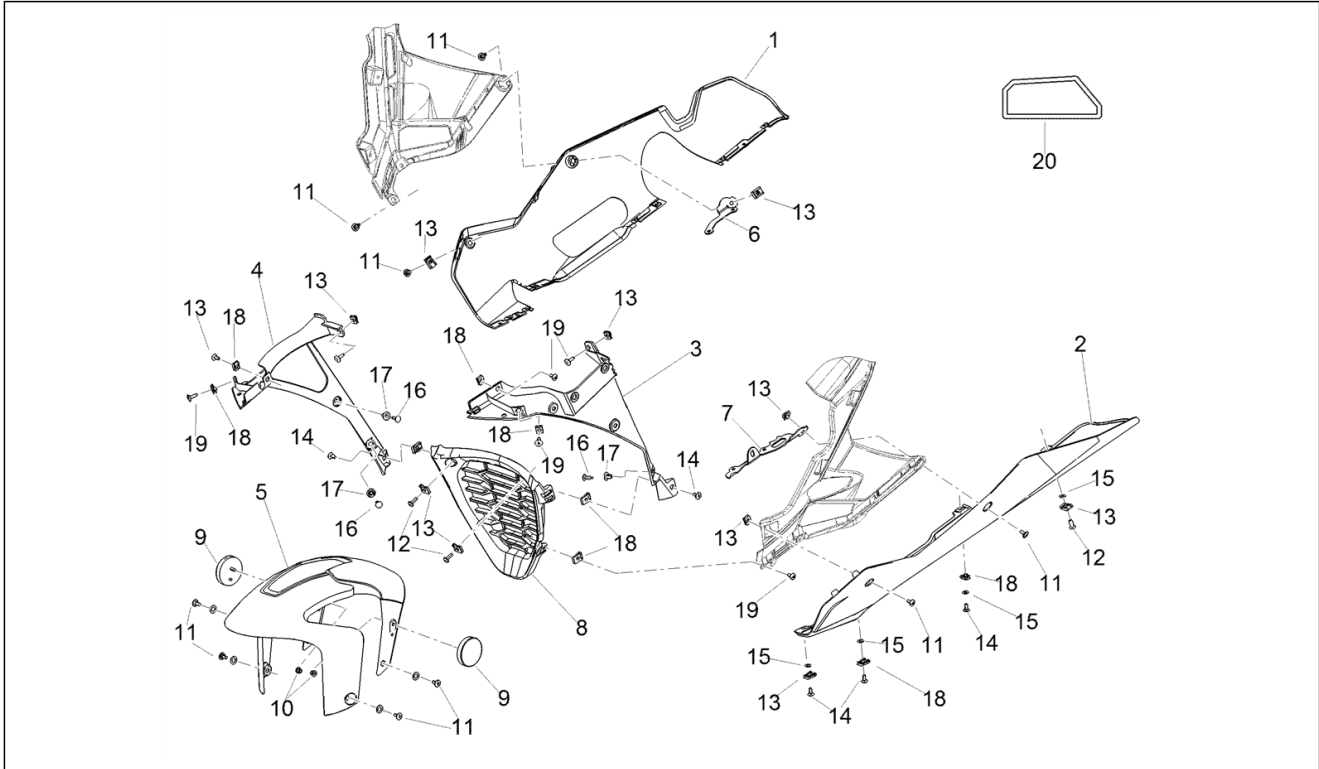
Pos.	Code	Description	Qty	Variants
29	AP8221349	T bush	1	

<b>Group</b>	Body
<b>Code</b>	02.030
<b>Description</b>	Front mudguard-Pillar
<b>Service</b>	1



Pos.	Code	Description	Qty	Variants
1	2B006971000N18	RH lower fairing	1	Colour:Ultra Dark[DarK] Technical Specification:No decals[ND]
1	2B006971	RH lower fairing	1	Technical Specification:Blank[gr]
1	2B006971000NV	Black right lower fairing	1	Colour:Time Attack[NV] Speed white[Q4] Technical Specification:No decals[ND]
1	2B006971000Q4	White right lower fairing	1	Colour:Speed white[Q4] Technical Specification:No decals[ND]
2	2B006970000Q4	White left lower fairing	1	Colour:Speed white[Q4] Technical Specification:No decals[ND]
2	2B006970000N18	LH lower fairing	1	Colour:Ultra Dark[DarK] Technical Specification:No decals[ND]
2	2B006970	LH lower fairing	1	Technical Specification:Blank[gr]
2	2B006970000NV	Black left lower fairing	1	Colour:Time Attack[NV] Speed white[Q4] Technical Specification:No decals[ND]
3	2B006975	LH internal fairing	1	
4	2B006974	RH internal fairing	1	
5	2B008635	Front splash guard	1	
6	2B007578	RH front fairing support	4	
7	2B007459	LH front fairing support	1	
8	2B008016	Pillar	2	
9	AP8224163	Reflector, amber	2	
10	AP8152306	Self-locking nut M5	2	
11	AP8150500	Hex socket screw M5x9 NERINOX	8	
12	895915	Screw w/ flange M5X16	3	
13	AP8102375	Clip M5	16	
14	896174	Hex socket screw Black M5x12	3	
15	AP8120622	Front dust cover ring	3	
16	AP8144563	Rivet, male	6	
17	AP8144616	Rivet, female	6	

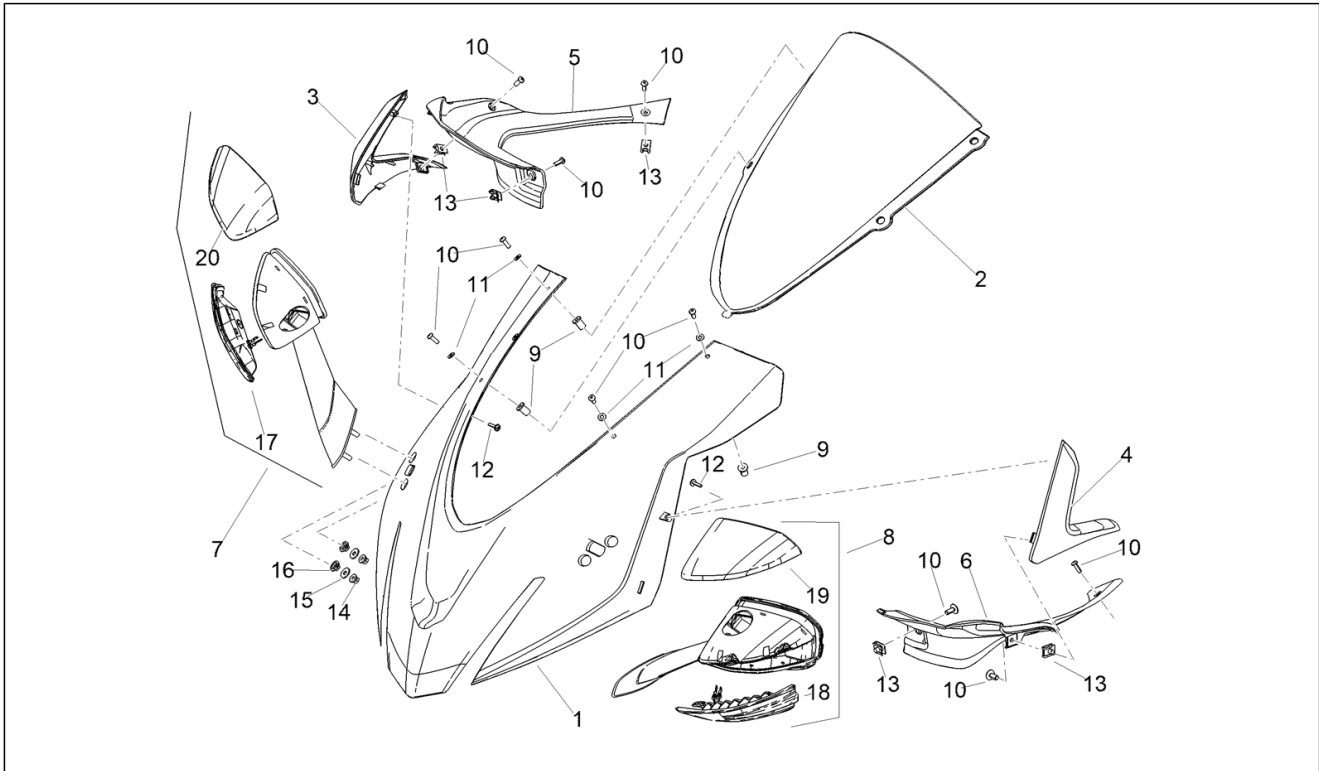
<b>Group</b>	Body
<b>Code</b>	02.030
<b>Description</b>	Front mudguard-Pillar
<b>Service</b>	1



Pos.	Code	Description	Qty	Variants
18	00G04401462	Clip M5	10	
19	AP8150500	Hex socket screw M5x9 NERINOX	10	
20	2B004199	Protection	1	

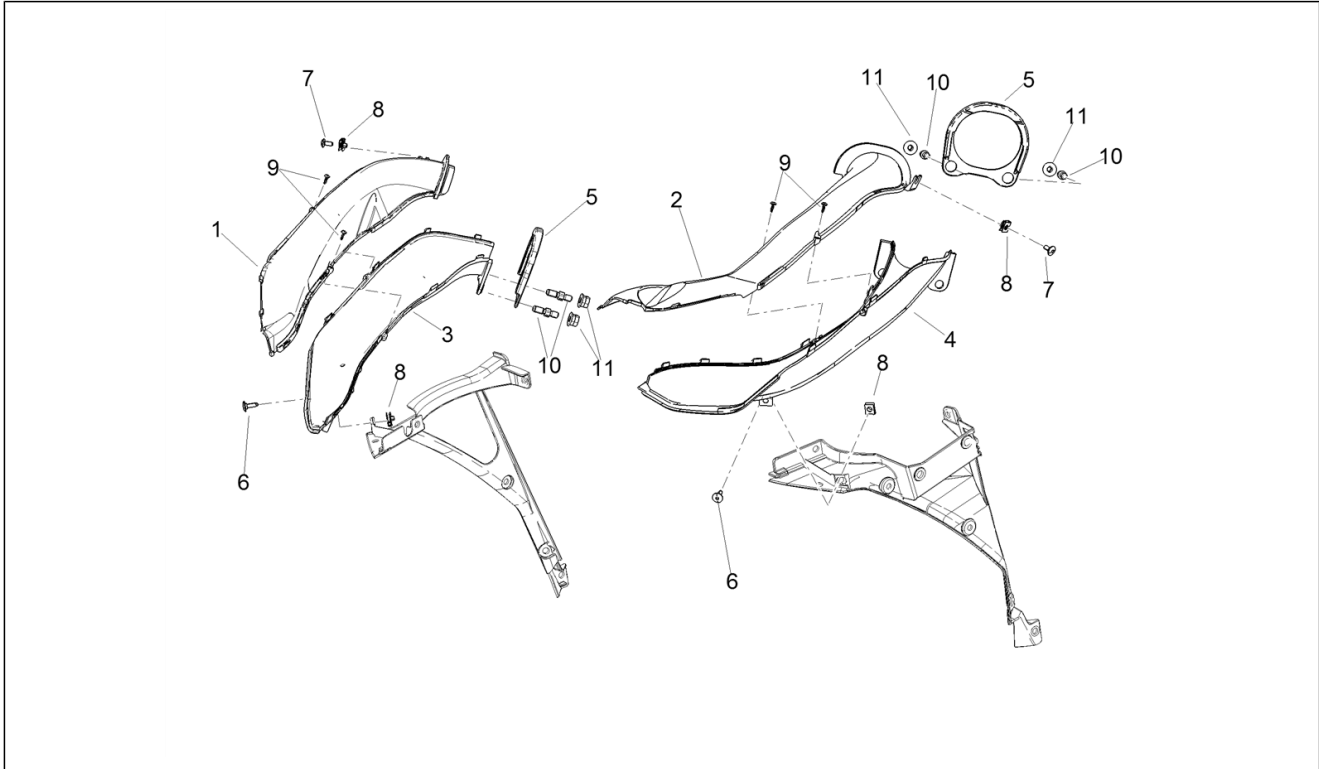


<b>Group</b>	Body
<b>Code</b>	02.040
<b>Description</b>	Front fairing
<b>Service</b>	1



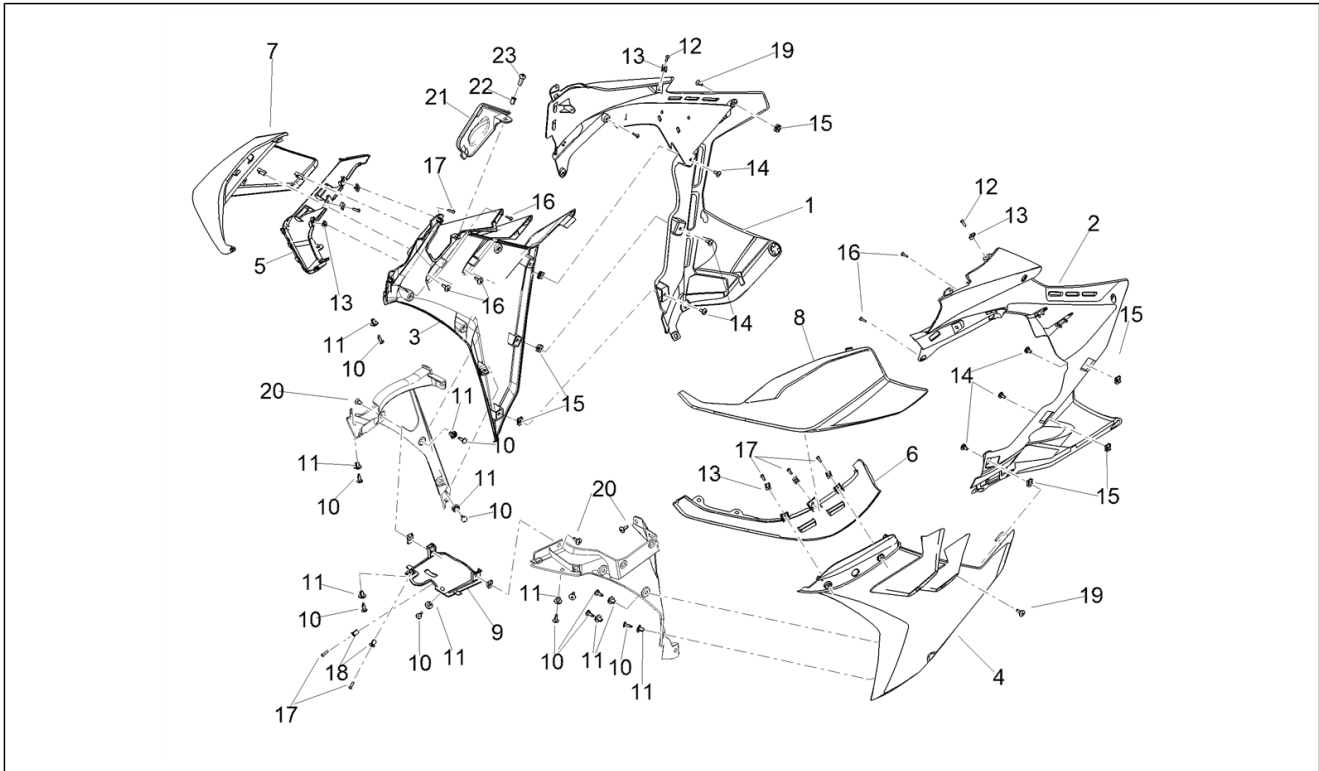
Pos.	Code	Description	Qty	Variants
1	2B006969000NV	Fairing front piece, Competition black paint finish	1	<b>Colour:</b> Time Attack[NV] <b>Technical Specification:</b> No decals[ND]
1	2B006969000Q4	Front fairing, white	1	<b>Colour:</b> Speed white[Q4] <b>Technical Specification:</b> No decals[ND]
1	2B006969000XN5	Front fairing, black	1	<b>Colour:</b> Ultra Dark[Dark] <b>Technical Specification:</b> No decals[ND]
1	2B006969	Front fairing	1	<b>Technical Specification:</b> Blank[gr]
2	2B006990	Windshield	1	
3	2B008017	RH handguard	1	
4	2B008018	LH handguard	1	
5	2B006979	Upper RH fairing	1	
6	2B006980	Upper LH fairing	1	
7	2B005798	RH rearview mirror	1	
8	2B005799	LH rearview mirror	1	
9	AP8144564	Rubber w/ insert M4	4	
10	581957	Hexagon convex big end screw	10	
11	895916	Plastic washer	4	
12	AP8150413	Self-tap screw 3,9x14	2	
13	AP8102381	Spring plate M4	6	
14	AP8150506	Flanged nut	4	
15	AP8150179	Washer 6,6x18x1,6	4	
16	2B002695	T bush	4	
17	2D000258	Blinker r	1	
18	2D000257	Blinker l	1	
19	2B006026	Mirror cover left	1	
20	2B006025	Right mirror cover	1	

<b>Group</b>	Body
<b>Code</b>	02.070
<b>Description</b>	Duct
<b>Service</b>	1



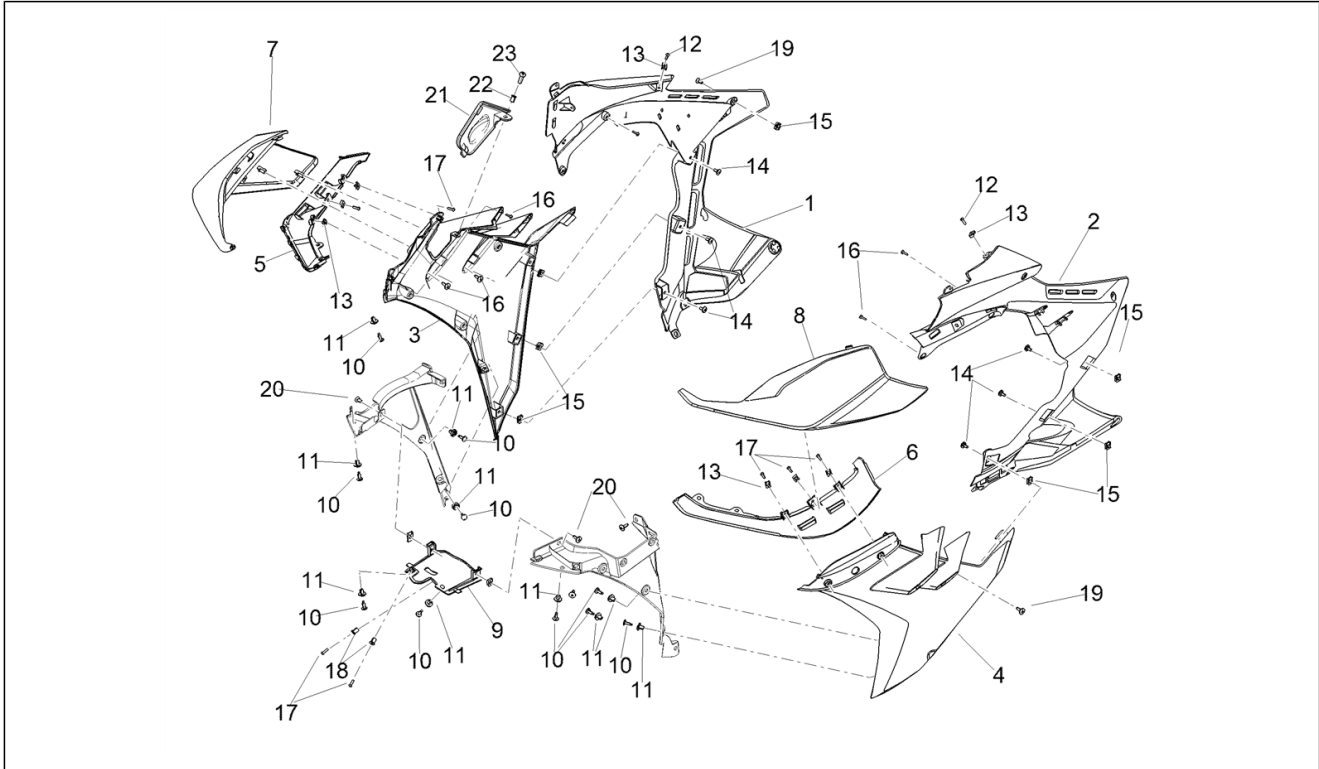
Pos.	Code	Description	Qty	Variants
1	2B006985	RH Upper Air duct	1	
2	2B006988	LH Upper Air duct	1	
3	2B006986	RH Lower Air duct	2	
4	2B006989	LH Lower Air duct	4	
5	858819	RH-LH Gasket	4	
6	AP8152302	Screw w/ flange M5x12	2	
7	AP8150500	Hex socket screw M5x9 NERINOX	2	
8	00G04401462	Clip M5	4	
9	296141	Self tapping screw	4	
10	2B004831	Threaded pin	2	
11	AP8150506	Flanged nut	2	

<b>Group</b>	Body
<b>Code</b>	02.080
<b>Description</b>	Side fairing
<b>Service</b>	1



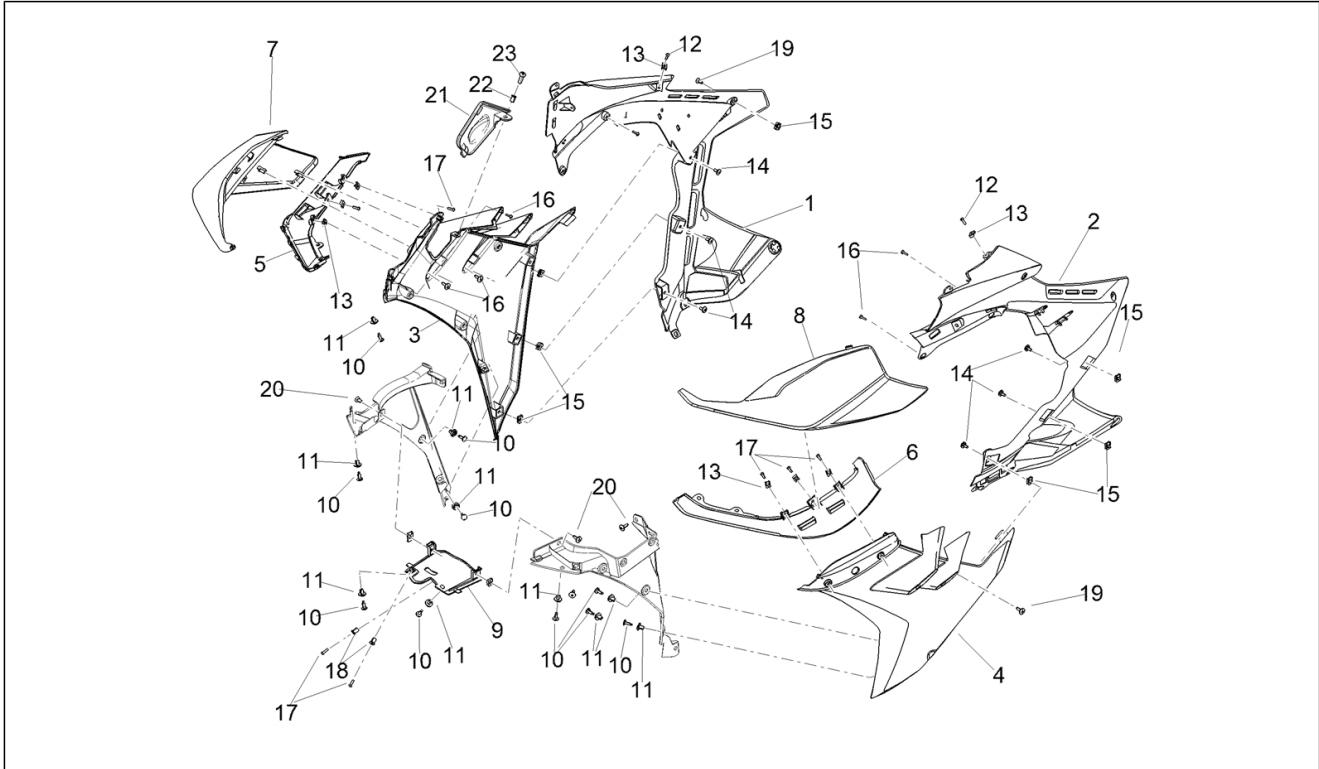
Pos.	Code	Description	Qty	Variants
1	2B008012	RH puller	1	
2	2B008013	LH puller	1	
3	2B007131000NV	RH lat.fairing, black	1	<b>Colour:</b> Time Attack[NV] <b>Technical Specification:</b> No decals[ND]
3	2B007131000XN5	RH lat.fairing, black	1	<b>Colour:</b> Ultra Dark[DarK] <b>Technical Specification:</b> No decals[ND]
3	2B007131000Q4	RH side fairing, white	1	<b>Colour:</b> Speed white[Q4] <b>Technical Specification:</b> No decals[ND]
3	2B007131	Unfinished right side fairing	1	<b>Technical Specification:</b> Blank[gr]
4	2B007132000NV	LH lat.fairing, black	1	<b>Colour:</b> Time Attack[NV] <b>Technical Specification:</b> No decals[ND]
4	2B007132000XN5	LH lat.fairing, black	1	<b>Colour:</b> Ultra Dark[DarK] <b>Technical Specification:</b> No decals[ND]
4	2B007132000Q4	LH side fairing, white	1	<b>Colour:</b> Speed white[Q4] <b>Technical Specification:</b> No decals[ND]
4	2B007132	Unfinished left side fairing	1	<b>Technical Specification:</b> Blank[gr]
5	2B008014000Q4	internal right p. wing	1	<b>Colour:</b> Speed white[Q4] <b>Technical Specification:</b> No decals[ND]
5	2B008014000NV	internal right p. wing	1	<b>Colour:</b> Time Attack[NV] <b>Technical Specification:</b> No decals[ND]
5	2B008014000XN5	internal right p. wing	1	<b>Colour:</b> Ultra Dark[DarK] <b>Technical Specification:</b> No decals[ND]
5	2B008014	internal right wing	1	<b>Technical Specification:</b> Blank[gr]
6	2B008015000Q4	internal left p. wing	1	<b>Colour:</b> Speed white[Q4] <b>Technical Specification:</b> No decals[ND]
6	2B008015000NV	internal left p. wing	1	<b>Colour:</b> Time Attack[NV] <b>Technical Specification:</b> No decals[ND]
6	2B008015000XN5	internal left p. wing	1	<b>Colour:</b> Ultra Dark[DarK] <b>Technical Specification:</b> No decals[ND]
6	2B008015	internal left wing	1	<b>Technical Specification:</b> Blank[gr]
7	2B006982000NV	P. side fairing right wing	1	<b>Colour:</b> Time Attack[NV]

<b>Group</b>	Body
<b>Code</b>	02.080
<b>Description</b>	Side fairing
<b>Service</b>	1



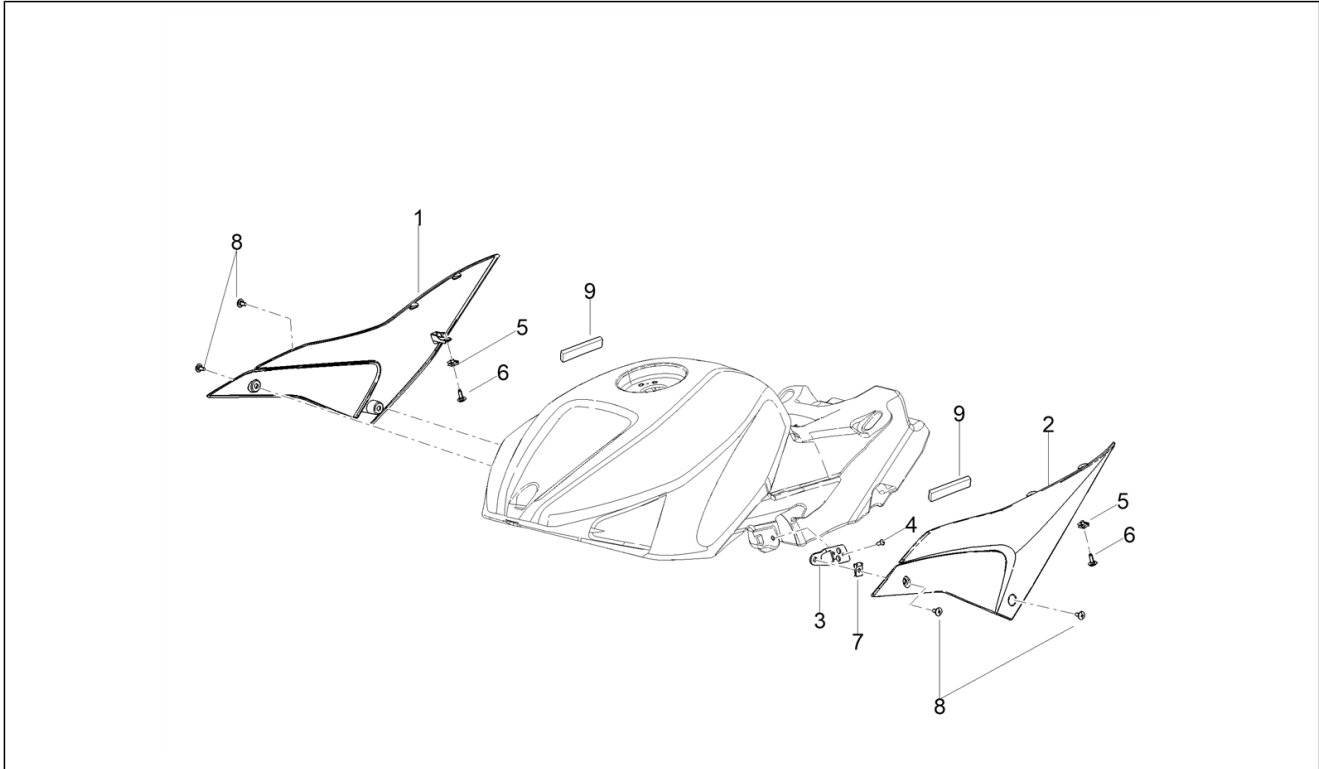
Pos.	Code	Description	Qty	Variants
				<b>Technical Specification:</b> No decals[ND]
7	2B006982000XN5	P. side fairing right wing	1	<b>Colour:</b> Ultra Dark[Dark] <b>Technical Specification:</b> No decals[ND]
7	2B006982	Wing RH lat.fairing	1	<b>Technical Specification:</b> Blank[gr]
7	2B006982000Q4	P. side fairing right wing	1	<b>Colour:</b> Speed white[Q4] <b>Technical Specification:</b> No decals[ND]
8	2B006983000NV	P. side fairing left wing	1	<b>Colour:</b> Time Attack[NV] <b>Technical Specification:</b> No decals[ND]
8	2B006983000XN5	P. side fairing left wing	1	<b>Colour:</b> Aprilia Black[Black] <b>Technical Specification:</b> No decals[ND]
8	2B006983000Q4	P. side fairing left wing	1	<b>Colour:</b> Speed white[Q4] <b>Technical Specification:</b> No decals[ND]
8	2B006983	Wing LH lat.fairing	1	<b>Technical Specification:</b> Blank[gr]
9	2B006981	Front lockup	1	
10	AP8144563	Rivet, male	6	
11	AP8144616	Rivet, female	6	
12	581957	Hexagon convex big end screw	4	
13	AP8102381	Spring plate M4	8	
14	896174	Hex socket screw Black M5x12	6	
15	00G04401462	Clip M5	6	
16	AP8150413	Self-tap screw 3,9x14	4	
17	AP8121184	Screw M4x14	8	
18	AP8144564	Rubber w/ insert M4	2	
19	AP8150500	Hex socket screw M5x9 NERINOX	4	
20	AP8152302	Screw w/ flange M5x12	6	
21	2B008356000NV	P. right door	1	<b>Colour:</b> Time Attack[NV] <b>Technical Specification:</b> No decals[ND]
21	2B008356000XN5	P. right door	1	<b>Colour:</b> Ultra Dark[Dark] <b>Technical Specification:</b> No decals[ND]
21	2B008356000Q4	P. right door	1	<b>Colour:</b> Speed white[Q4]

<b>Group</b>	Body
<b>Code</b>	02.080
<b>Description</b>	Side fairing
<b>Service</b>	1



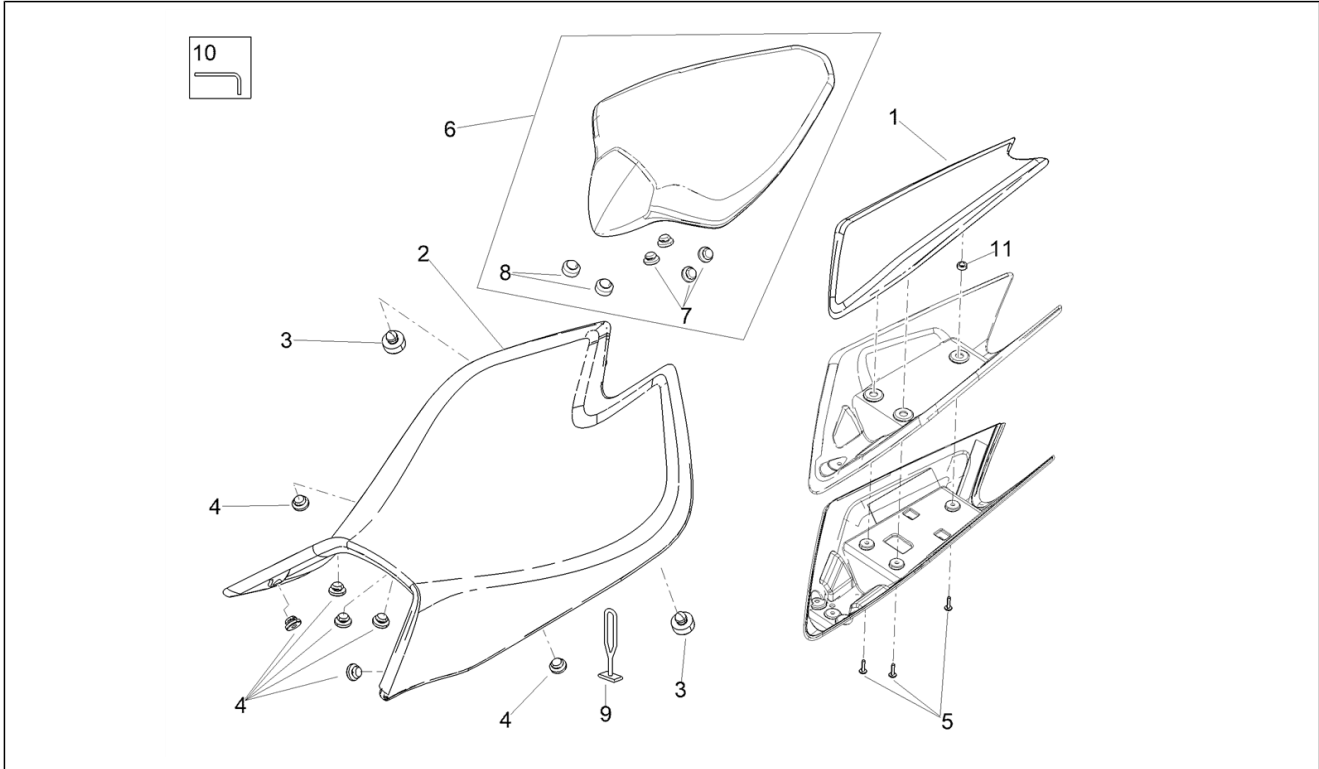
Pos.	Code	Description	Qty	Variants
				<b>Technical Specification:</b> No decals[ND]
21	2B008356	Right door	1	<b>Technical Specification:</b> Blank[gr]
22	AP8144564	Rubber w/ insert M4	1	
23	AP8121184	Screw M4x14	1	

<b>Group</b>	Body
<b>Code</b>	02.100
<b>Description</b>	Central body
<b>Service</b>	1



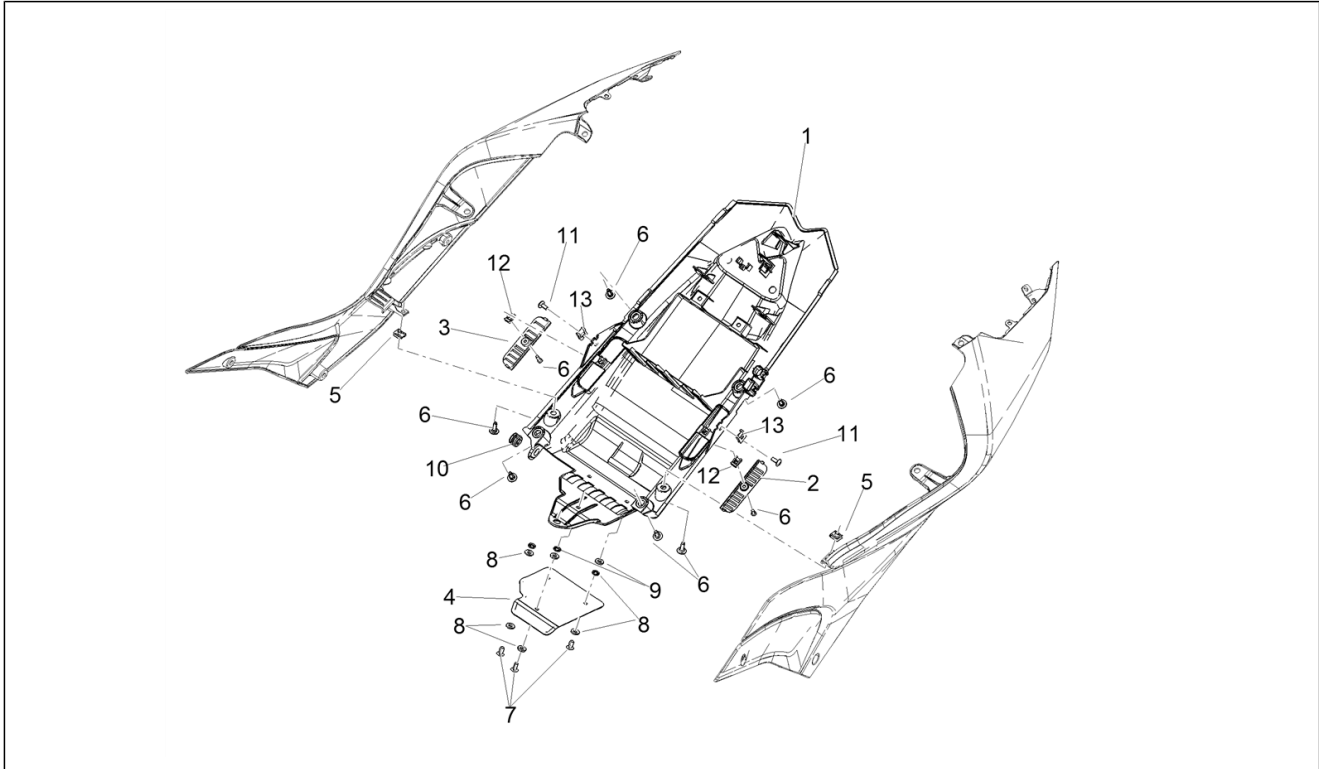
Pos.	Code	Description	Qty	Variants
1	2B006972	RH side panel	1	
2	2B006973	LH side panel	1	
3	858886	LH support	1	
4	AP8150538	Hex socket screw M5x10	1	
5	00G04401462	Clip M5	2	
6	AP8152302	Screw w/ flange M5x12	2	
7	AP8102375	Clip M5	2	
8	AP8150500	Hex socket screw M5x9 NERINOX	4	
9	860447	Biadhesive	2	

<b>Group</b>	Body
<b>Code</b>	02.120
<b>Description</b>	Saddle
<b>Service</b>	1



Pos.	Code	Description	Qty	Variants
1	2B006994	Cushion	1	
2	2B009898000C2	Driver saddle	1	Colour:Time Attack[NV] Speed white[Q4]
2	2B006992000C1	Driver saddle	1	Colour:Ultra Dark[Dark]
3	B043941	Pad	1	
4	B043933	Pad	1	
5	CM178606	Self tapping screw 4,2x16	3	
6	2B006993000C1	Rear saddle	1	
7	B043933	Pad	4	
8	2B002692	Saddle rubber	2	
9	AP8120177	Elastic	1	
10	894195	Hex key	1	
11	AP9100174	Spacer	1	

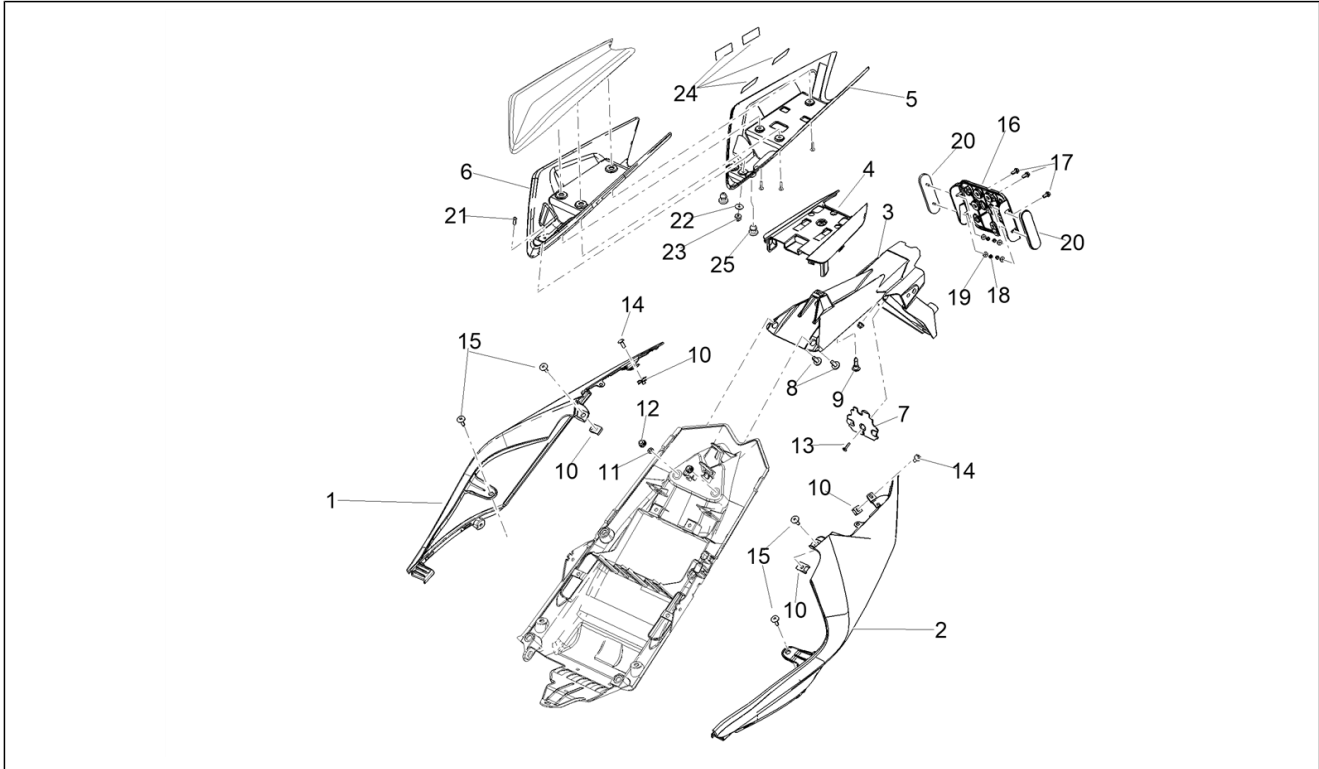
<b>Group</b>	Body
<b>Code</b>	02.130
<b>Description</b>	Saddle compartment
<b>Service</b>	1



Pos.	Code	Description	Qty	Variants
1	2B006995	Saddle compartment	1	
2	893109	Net panel (l)	1	
3	893108	Net panel (r)	1	
4	B043880	Heat protection	1	
5	00G04401462	Clip M5	2	
6	AP8152302	Screw w/ flange M5x12	8	
7	B045263	Rivet	3	
8	AP8102504	Rubber spacer	6	
9	AP8150450	Washer for shafts D5	3	
10	AP8120223	Rubber spacer *	1	
11	896174	Hex socket screw Black M5x12	2	
12	AP8102381	Spring plate M4	2	
13	AP8102375	Clip M5	2	

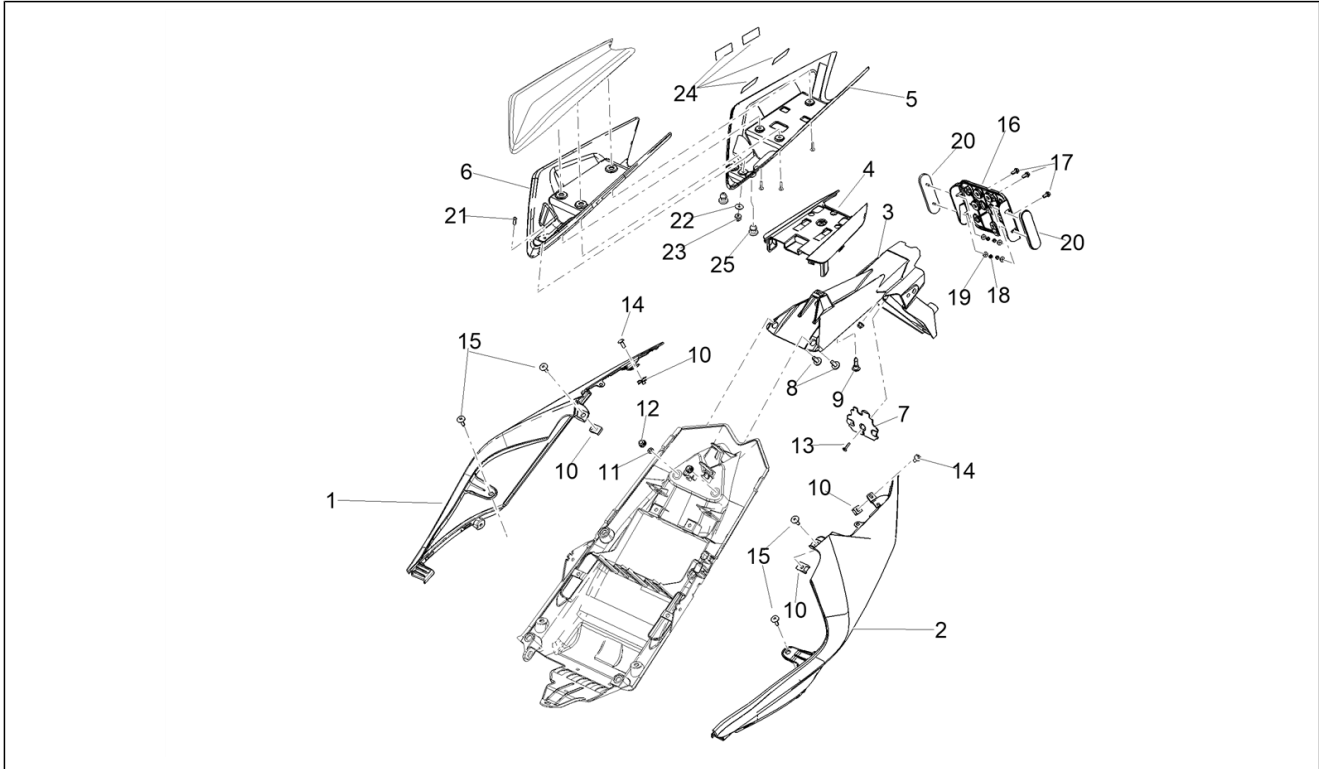


<b>Group</b>	Body
<b>Code</b>	02.140
<b>Description</b>	Rear body
<b>Service</b>	1



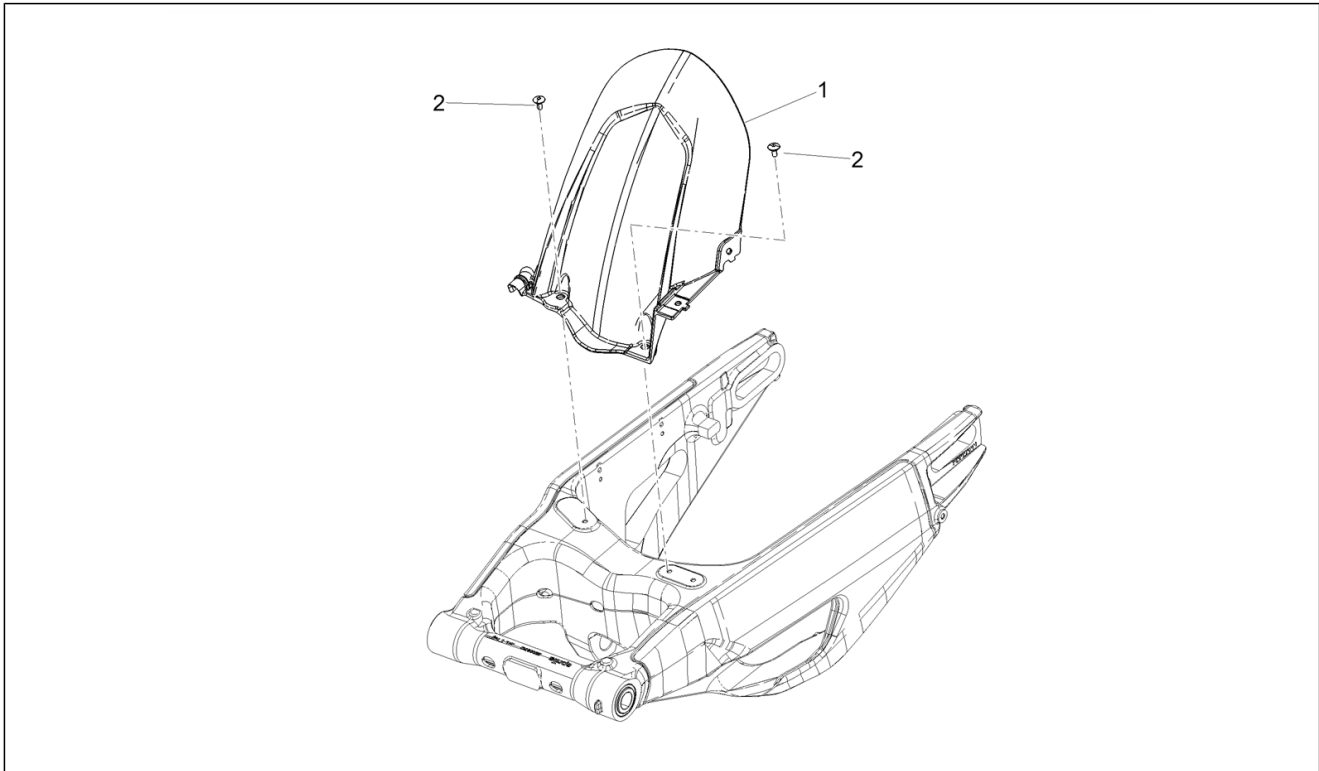
Pos.	Code	Description	Qty	Variants
1	2B006976000NV	RH p. tail fairing	1	Colour:Time Attack[NV] Technical Specification:No decals[ND]
1	2B006976000XN5	RH rear fairing, red	1	Colour:Ultra Dark[DarK] Technical Specification:No decals[ND]
1	2B006976	Right tail fairing	1	Technical Specification:Blank[gr]
1	2B006976000Q4	RH rear fairing, white	1	Colour:Speed white[Q4] Technical Specification:No decals[ND]
2	2B006977000NV	LH p. tail fairing	1	Colour:Time Attack[NV] Technical Specification:No decals[ND]
2	2B006977000XN5	LH rear fairing, red	1	Colour:Ultra Dark[DarK] Technical Specification:No decals[ND]
2	2B006977	Left tail fairing	1	Technical Specification:Blank[gr]
2	2B006977000Q4	LH rear fairing, white	1	Colour:Speed white[Q4] Technical Specification:No decals[ND]
3	2B007178	Front license plate holder casing	1	
4	2B008124	Seat cover closure	1	
5	2B006996000NV	Saddle cover base	1	Colour:Time Attack[NV] Technical Specification:No decals[ND]
5	2B006996000L06	Saddle cover base	1	Colour:Ultra Dark[DarK] Technical Specification:No decals[ND]
5	2B006996	Saddle cover base	1	Technical Specification:Blank[gr]
5	2B006996000XN2	Saddle cover base	1	Colour:Speed white[Q4] Technical Specification:No decals[ND]
6	2B006997000NV	Painted seat cover	1	Colour:Time Attack[NV] Technical Specification:No decals[ND]
6	2B006997000XN5	Saddle cover base	1	Colour:Ultra Dark[DarK] Technical Specification:No decals[ND]
6	2B006997	Saddle cover	1	Technical Specification:Blank[gr]
6	2B006997000XN2	Saddle cover, black	1	Colour:Speed white[Q4] Technical Specification:No decals[ND]
7	2B006641	License plate fastener	1	

<b>Group</b>	Body
<b>Code</b>	02.140
<b>Description</b>	Rear body
<b>Service</b>	1



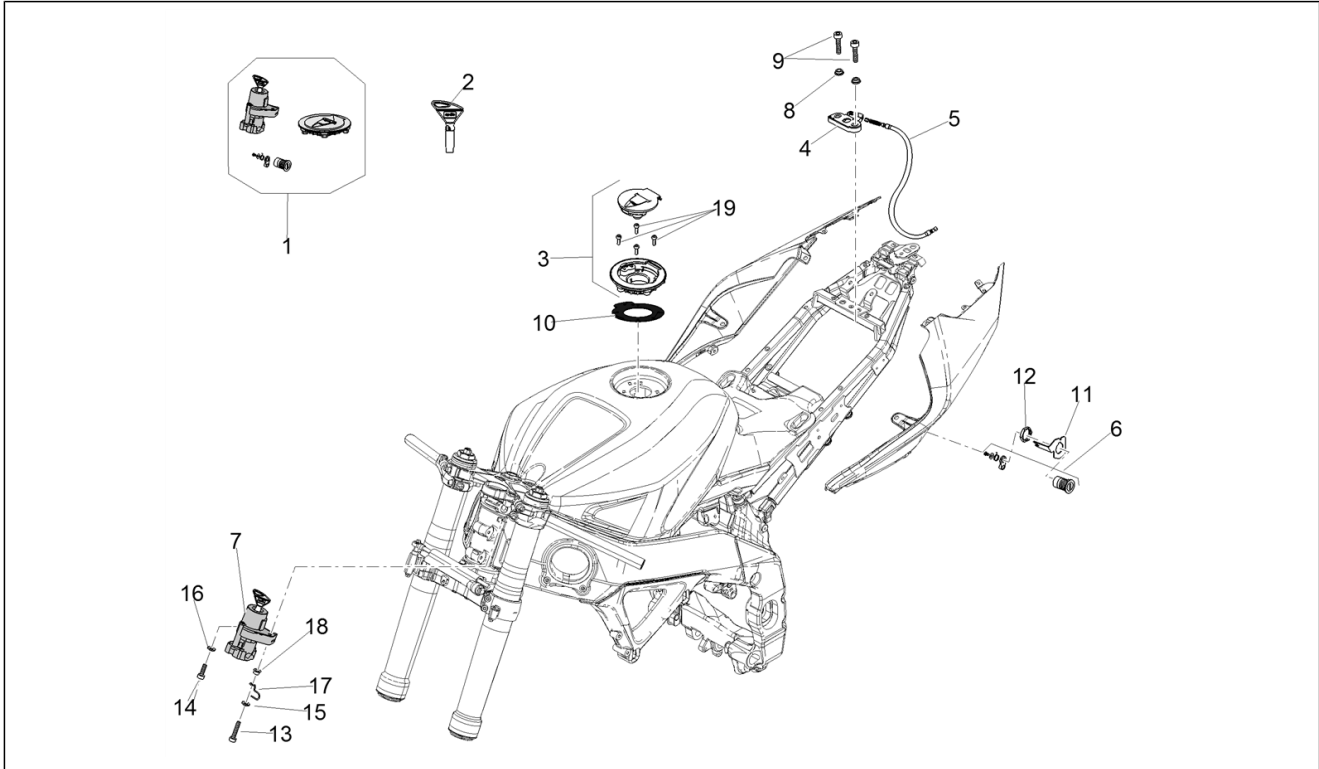
Pos.	Code	Description	Qty	Variants
8	CM179301	Torx head cylinder head screw M6x16	2	
9	CM179201	Torx head cylinder head screw M6x22	1	
10	AP8152298	Screw w/ flange M5x16	3	
11	AP8221349	T bush	2	
12	AP8152299	Self-locking nut M6	2	
13	AP8150413	Self-tap screw 3,9x14	2	
14	896174	Hex socket screw Black M5x12	2	
15	AP8152302	Screw w/ flange M5x12	4	
16	2B004072	Number plate support	1	
17	AP8152298	Screw w/ flange M5x16	3	
18	AP8150204	Nut M4	1	
19	AP8150501	Washer	1	
20	AP8124718	Rear reflector, red	2	
21	AP8121184	Screw M4x14	1	
22	AP8150272	Curved spring washer 5,3x10x0,5	1	
23	893259	Pin	1	
24	2B008842	Biadhesive	4	
25	AP8144087	Rubber spacer	2	

<b>Group</b>	Body
<b>Code</b>	02.150
<b>Description</b>	Rear mudguard
<b>Service</b>	1



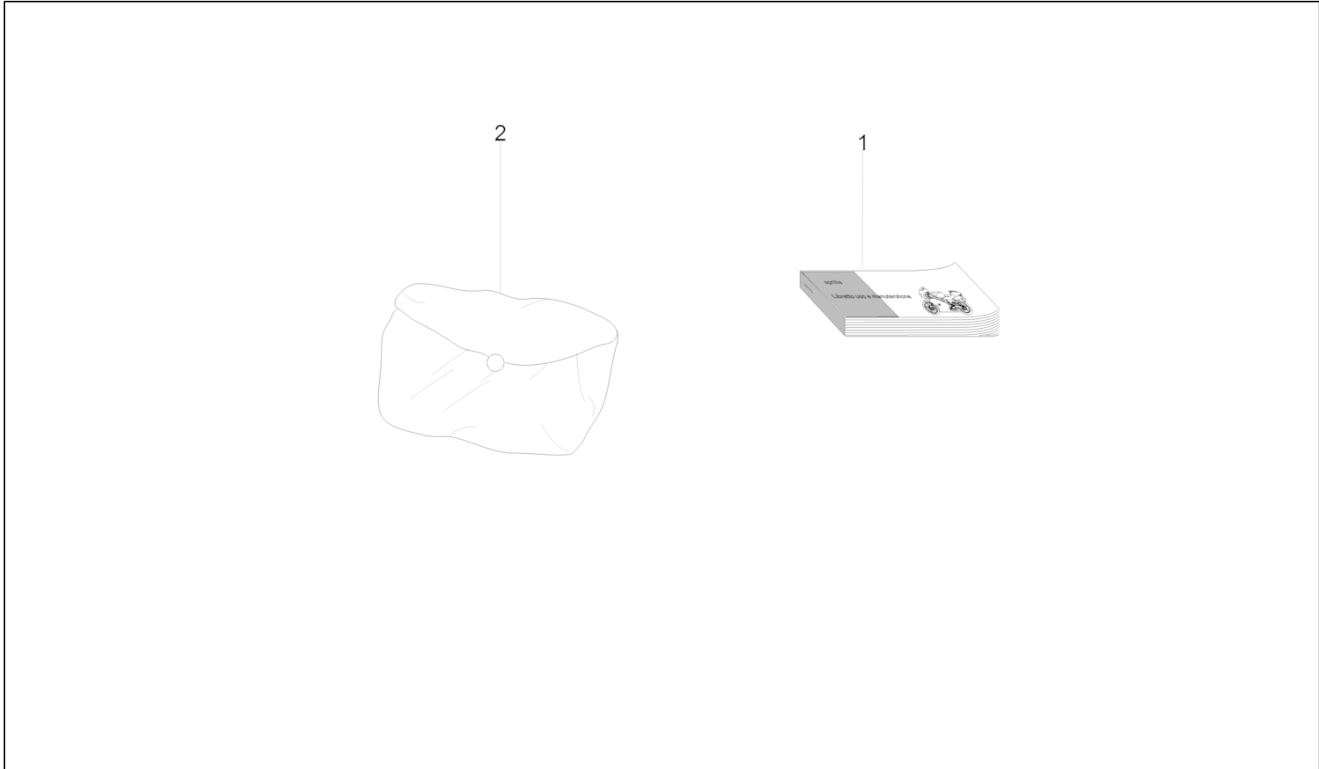
Pos.	Code	Description	Qty	Variants
1	2B006922	Rear mudguard	1	
2	AP8150500	Hex socket screw M5x9 NERINOX	2	

<b>Group</b>	Body
<b>Code</b>	02.170
<b>Description</b>	Locks
<b>Service</b>	1



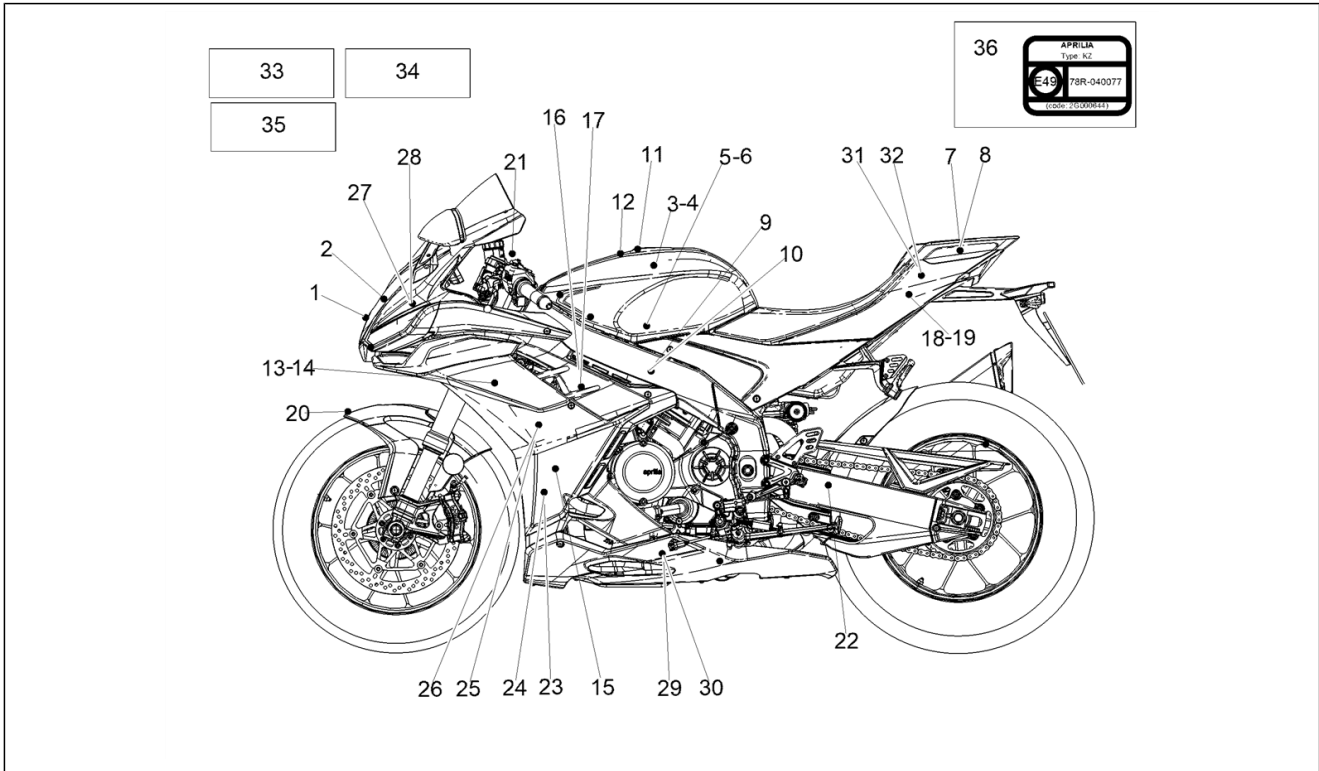
Pos.	Code	Description	Qty	Variants
1	2D000505	Lock hardware kit	1	
2	AP8140711	"Aprilia" key with transpo.	1	
3	B043929	Fuel filler cap and lock	1	
4	AP8102913	Pass.saddle connecting plate	1	
5	858955	Lock cable	1	
6	AP8104719	Seat lock with key	1	
7	2D000509	Ignition switch barrel with key	1	
8	AP8221129	Bush	2	
9	AP8150285	Hex socket screw M6x35	2	
10	AP8104803	Fuel filler cap gasket	1	
11	AP8134948	Plate	1	
12	AP8102523	Lock nut M22x1,5	1	
13	AP8150236	Hex socket screw M8x35	1	
14	AP8152238	Shear rivet M8x28	1	
15	AP8150017	Washer 8,4x16x1,6	1	
16	AP8152154	Washer 8,4x13*	1	
17	AP8121475	Fairlead	1	
18	AP8121096	T bush 8,2x12x4	1	
19	B043864	Hex socket screw M5x14	4	

<b>Group</b>	Body
<b>Code</b>	02.180
<b>Description</b>	Plate set / Various
<b>Service</b>	1



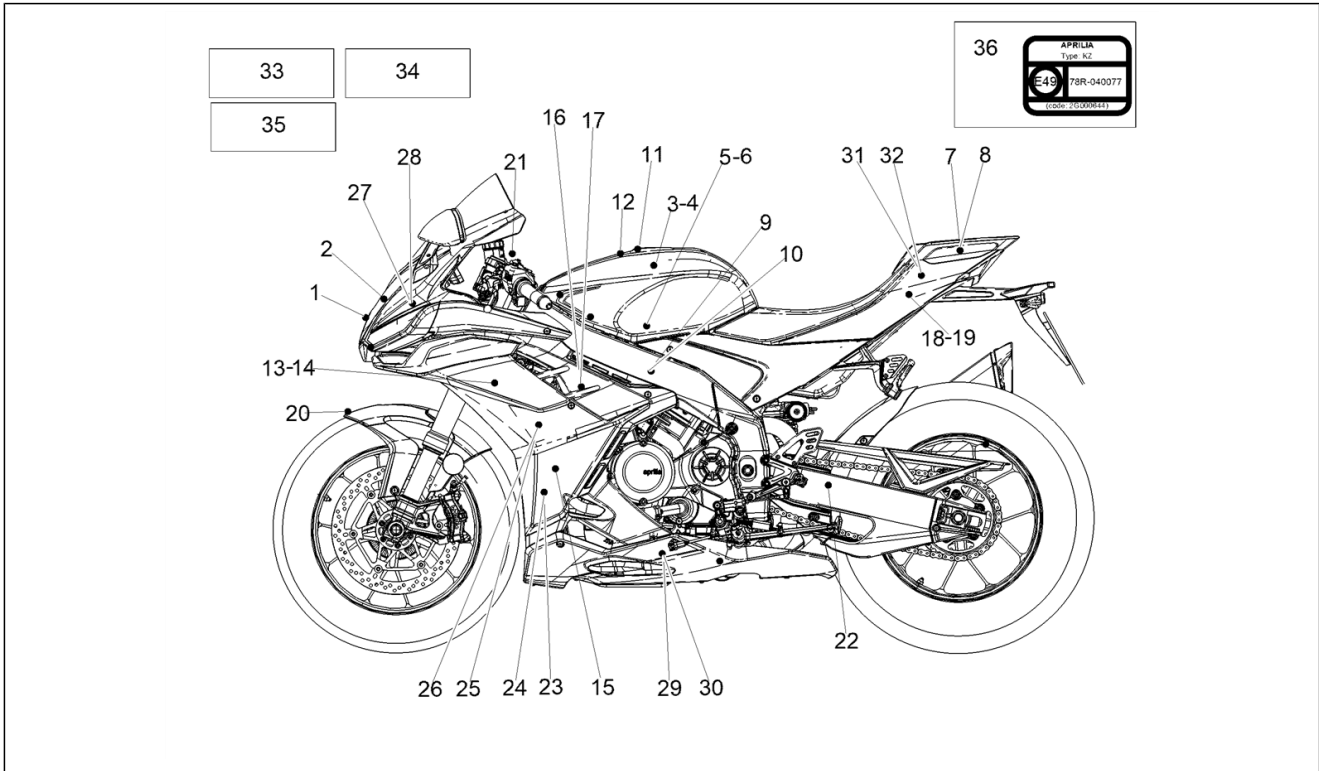
Pos.	Code	Description	Qty	Variants
1	2Q000438	LUM SXR 125-160 RSV4 1100 RR-Fact MY21 ITDEFRES	1	
1	2Q000439	LUM SXR 125-160 RSV4 1100 RR-Fact MY21 ENNLELDAFIFR	1	
2	2B003431	Toolkit	1	

<b>Group</b>	Body
<b>Code</b>	02.190
<b>Description</b>	Decal
<b>Service</b>	1



Pos.	Code	Description	Qty	Variants
1	2H004176	Fairing front decal "italia"	1	Colour:Ultra Dark[DarK]
1	2H005397	Fairing front decal	1	Colour:Time Attack[NV]
1	2H005835	Fairing front decal "aprilia"	1	Colour:Speed white[Q4]
2	2H005075	Fairing front decal "italia"	1	Colour:Ultra Dark[DarK]
3	2H005400	RH Fuel tank decal "aprilia racing"	1	Colour:Time Attack[NV] Speed white[Q4]
3	2H005076	RH Fuel tank decal "aprilia racing"	1	Colour:Ultra Dark[DarK]
4	2H005401	LH Fuel tank decal "aprilia racing"	1	Colour:Time Attack[NV] Speed white[Q4]
4	2H005077	LH Fuel tank decal "aprilia racing"	1	Colour:Ultra Dark[DarK]
5	2H005402	RH Fuel tank decal "aprilia"	1	Colour:Time Attack[NV] Speed white[Q4]
6	2H005403	LH Fuel tank decal "aprilia"	1	Colour:Time Attack[NV] Speed white[Q4]
7	2H005453	Passenger saddle cover decal right RED	1	Colour:Speed white[Q4]
7	2H005419	Passenger saddle cover decal right	1	Colour:Time Attack[NV]
8	2H005454	Passenger seat cover sticker on the left RED	1	Colour:Speed white[Q4]
8	2H005420	Passenger seat cover sticker on the left	1	Colour:Time Attack[NV]
9	2H005845	Frame Decal RH "aprilia"	1	Colour:Speed white[Q4]
9	2H005411	Frame Decal RH "aprilia"	1	Colour:Time Attack[NV]
10	2H005846	Frame Decal LH "aprilia"	1	Colour:Speed white[Q4]
10	2H005412	Frame Decal LH "aprilia"	1	Colour:Time Attack[NV]
11	2H004186	Tank guard decal	1	
12	2H000874	Decal "54 World Titles"	1	
13	2H005404	RH external wing decal "A"	1	Colour:Time Attack[NV]
13	2H005838	RH external wing decal "a"	1	Colour:Speed white[Q4]
14	2H005405	LH external wing decal "A"	1	Colour:Time Attack[NV]
14	2H005839	LH external wing decal "a"	1	Colour:Speed white[Q4]
15	2H005410	RH-LH fairing decal "RSV4"	2	Colour:Time Attack[NV]
15	2H005078	RH-LH fairing decal "rsv4 factory"	2	Colour:Ultra Dark[DarK]
15	2H005844	"RSV4"	2	Colour:Speed white[Q4]
16	2H005840	RH external wing decal	1	Colour:Speed white[Q4]

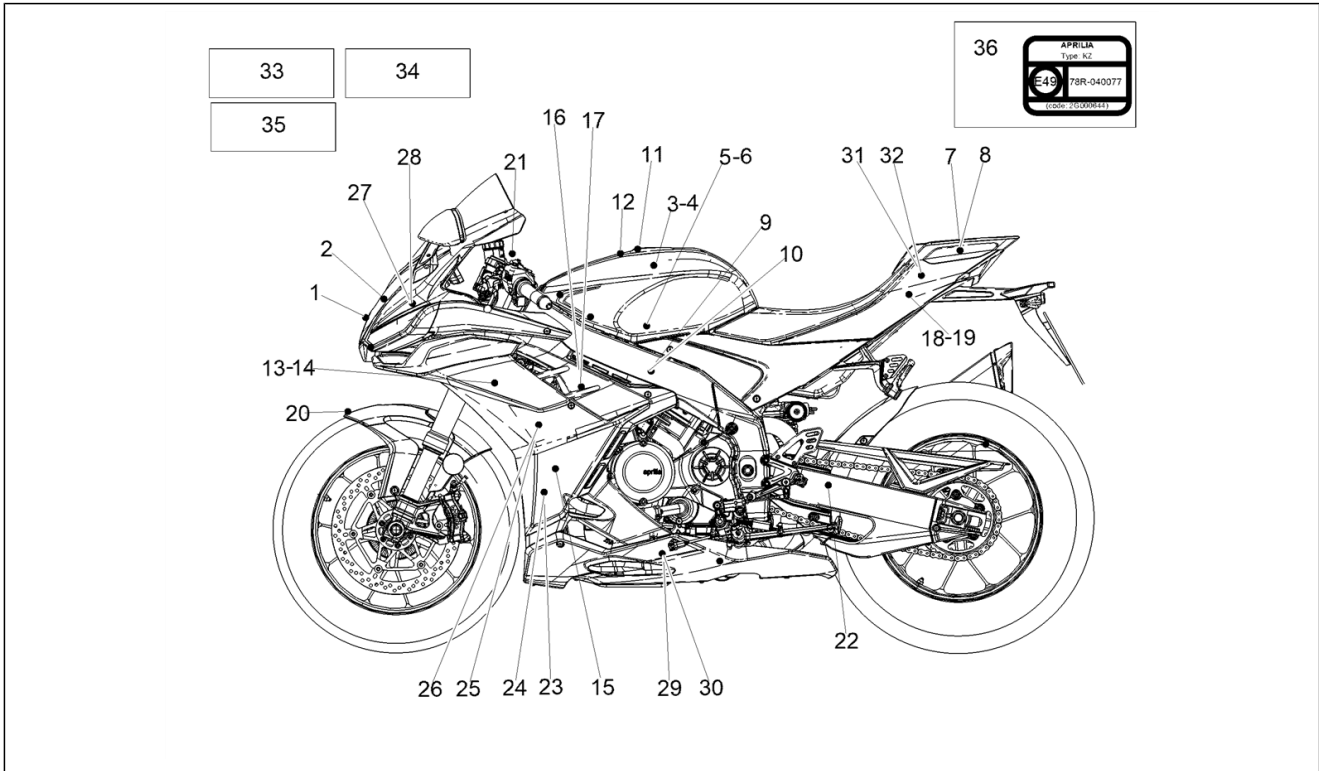
<b>Group</b>	Body
<b>Code</b>	02.190
<b>Description</b>	Decal
<b>Service</b>	1



Pos.	Code	Description	Qty	Variants
16	2H005406	RH external wing decal	1	Colour:Time Attack[NV]
17	2H005841	LH external wing decal	1	Colour:Speed white[Q4]
17	2H005407	LH external wing decal	1	Colour:Time Attack[NV]
18	2H005417	RH rear fairing decal "RSV4"	1	Colour:Time Attack[NV]
18	2H005851	RH rear fairing decal "RSV4"	1	Colour:Speed white[Q4]
19	2H005418	LH rear fairing decal "RSV4"	1	Colour:Time Attack[NV]
19	2H005852	LH rear fairing decal "RSV4"	1	Colour:Speed white[Q4]
20	2H003453	Front mudguard decal "be a racer"	1	
21	893819	Name plate "aprilia"	1	
22	2B008510	Tyre pressure decal	1	
23	2H005408	Sticker right side fairing	1	Colour:Time Attack[NV]
23	2H005842	Sticker right side fairing	1	Colour:Speed white[Q4]
23	2H005079	RH side fairing decal "Gold"	1	Colour:Ultra Dark[Dark]
24	2H005409	Sticker left side fairing	1	Colour:Time Attack[NV]
24	2H005843	Sticker left side fairing	1	Colour:Speed white[Q4]
24	2H005080	LH side fairing decal "Gold"	1	Colour:Ultra Dark[Dark]
25	2H005081	RH lower fairing decal "Gold"	1	Colour:Ultra Dark[Dark]
26	2H005082	LH lower fairing decal "Gold"	1	Colour:Ultra Dark[Dark]
27	2H005836	RH Front fairing decal "italia"	1	Colour:Speed white[Q4]
27	2H005398		1	Colour:Time Attack[NV]
28	2H005837	LH Front fairing decal "italia"	1	Colour:Speed white[Q4]
28	2H005399		1	Colour:Time Attack[NV]
29	2H005414	LH lower fairing decal "italia"	1	Colour:Time Attack[NV]
29	2H005848	LH lower fairing decal "italia"	1	Colour:Speed white[Q4]
30	2H005847	RH lower fairing decal "italia"	1	Colour:Speed white[Q4]
30	2H005413	RH lower fairing decal "italia"	1	Colour:Time Attack[NV]
31	2H005849	RH rear fairing decal "RED"	1	Colour:Speed white[Q4]
31	2H005415	RH rear fairing decal RED	1	Colour:Time Attack[NV]



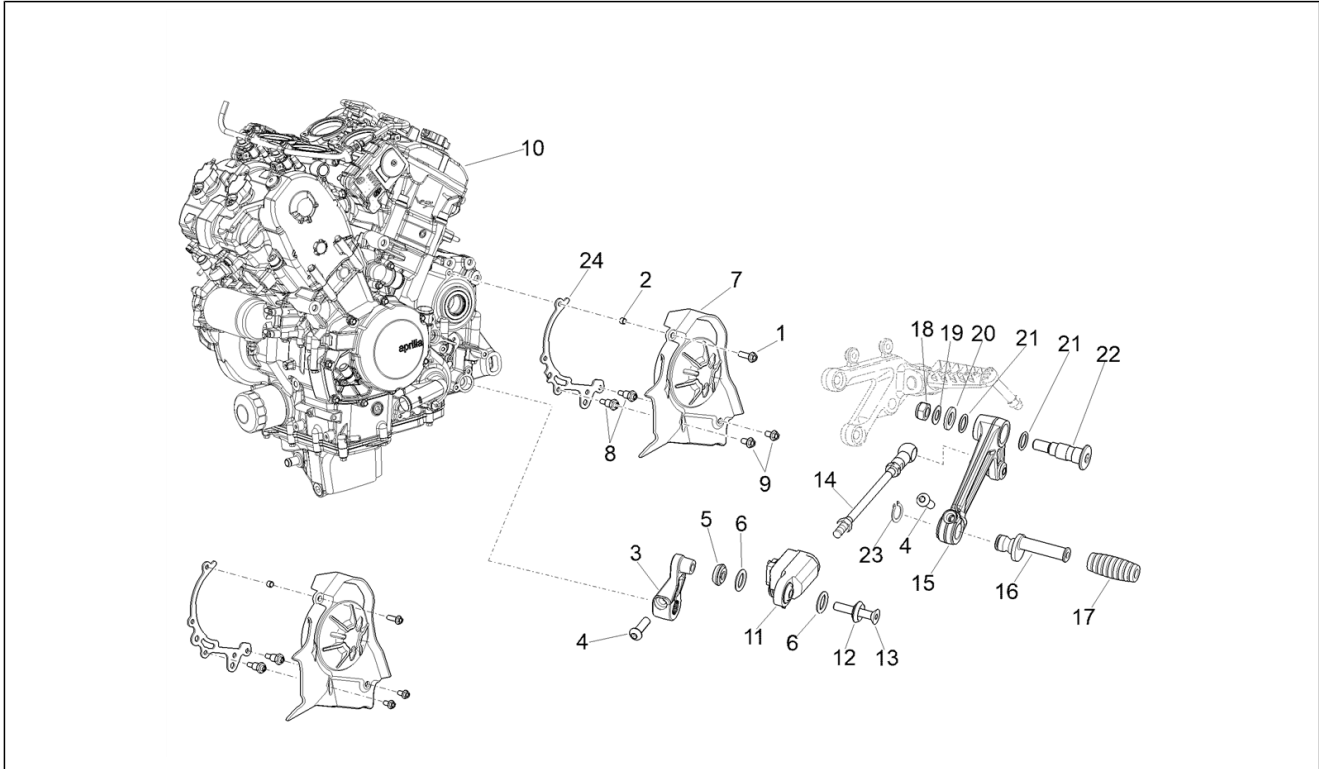
<b>Group</b>	Body
<b>Code</b>	02.190
<b>Description</b>	Decal
<b>Service</b>	1



Pos.	Code	Description	Qty	Variants
32	2H005850	LH rear fairing decal "RED"	1	Colour:Speed white[Q4]
32	2H005416	LH rear fairing decal RED	1	Colour:Time Attack[NV]
33	2G000736	Noise emission sticker	1	
34	2G000740	Carbon canister scheme sticker	1	
35	2G000737	Emission control sticker	1	
36	2G000644	Decal "ECE"	1	

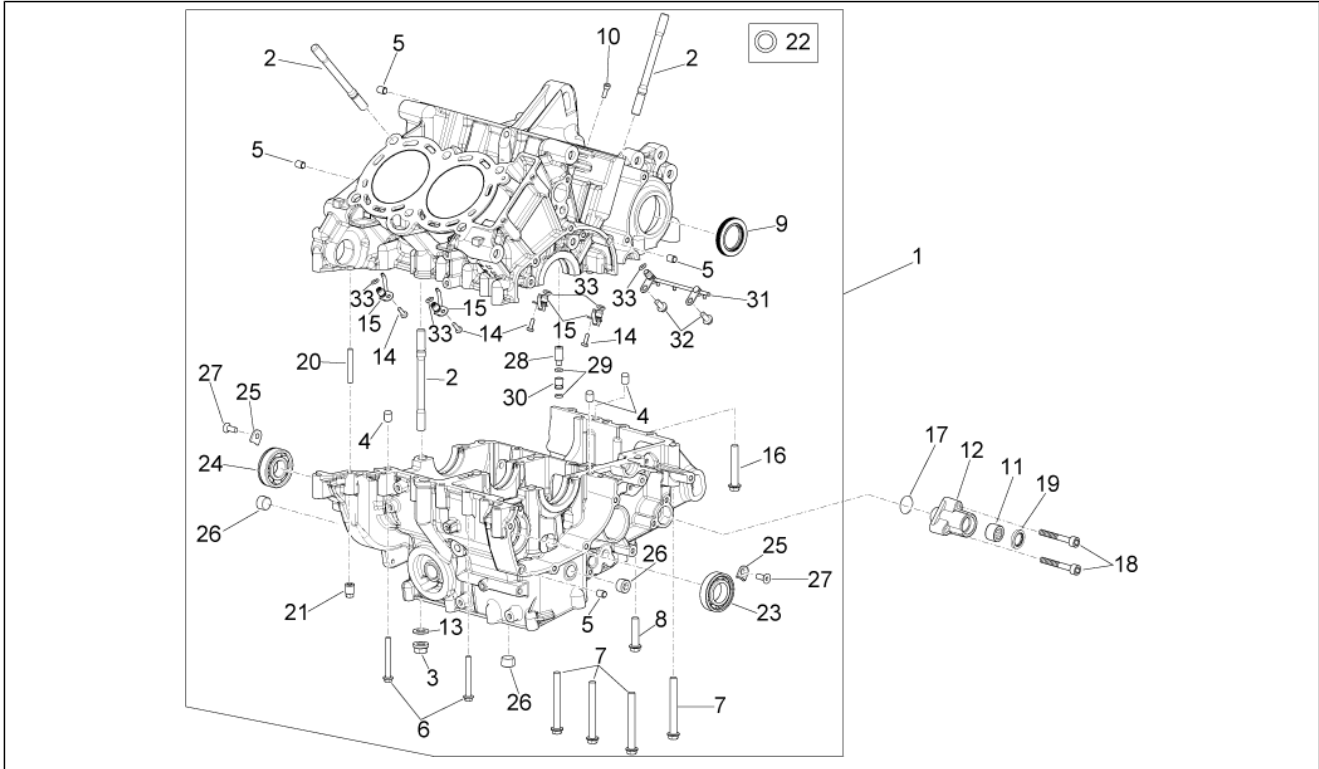


<b>Group</b>	Engine
<b>Code</b>	03.010
<b>Description</b>	Engine-Completing part-Lever
<b>Service</b>	1



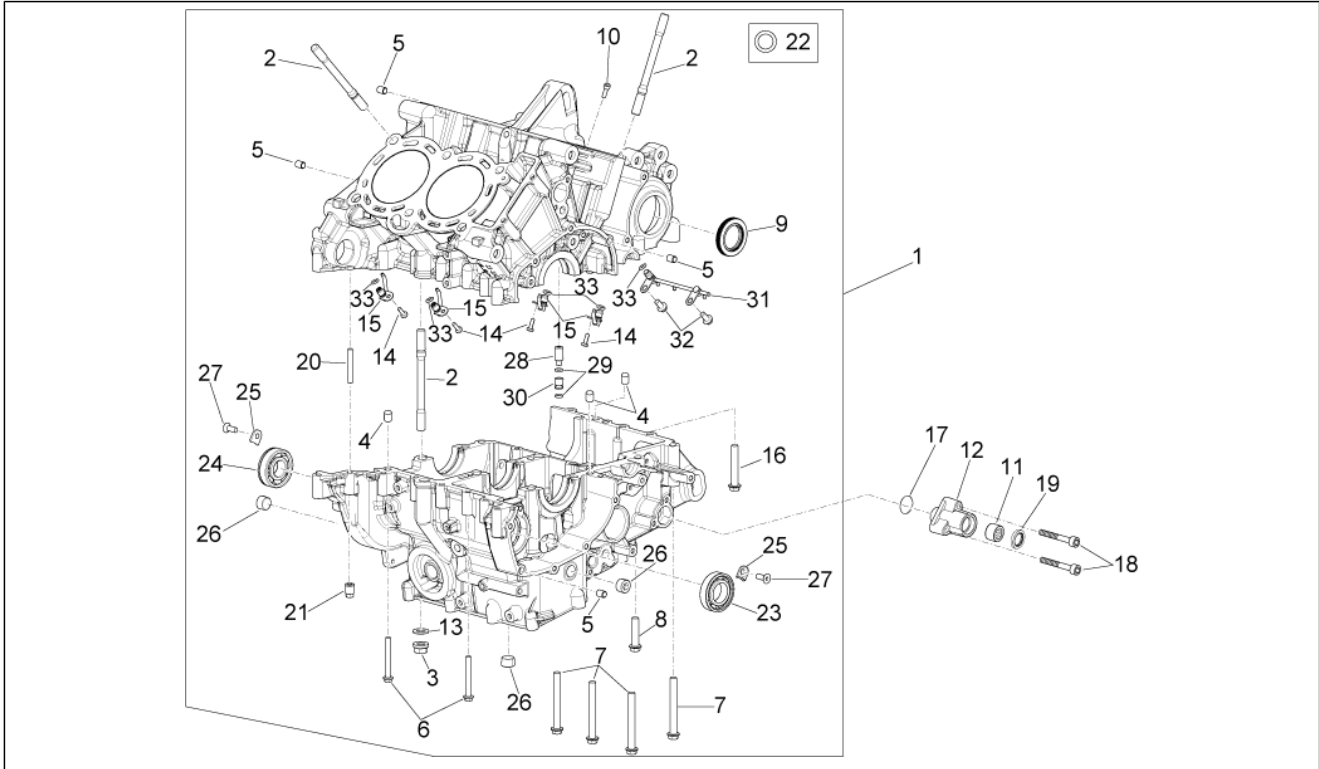
Pos.	Code	Description	Qty	Variants
1	AP8152279	Screw w/ flange M6x20	1	
2	AP8120253	Spacer	1	
3	852480	Gear lever	1	
4	AP8224470	Hex socket screw M6x20 inox	2	
5	2B002562	Bush	1	
6	AP8220177	O-ring 115	2	
7	2B006936	Sprocket cover	1	
8	2B001932	Spacer	2	
9	AP8152277	Flanged hexagon screw M6x12	2	
10	CM3016055	Engine RSV4 1100 E5 MY '21 USA	1	
11	2B009189	Quick shift device	1	
12	898134	Bush	1	
13	898463	Screw M6x35	1	
14	2B008732	Gear control tie rod	1	
15	897360	Gear lever	1	
16	AP8121221	Brake lever pin	1	
17	AP8120912	Lever rubber	1	
18	AP8150431	Low nut M8	1	
19	AP8150376	Washer 8,5x15x0,8	1	
20	AP8150020	Washer 10,5x21x2*	1	
21	AP8144007	O-ring 11,11x1,78	2	
22	884033	Lever pin	1	
23	AP8150462	Circlip d9	1	
24	2B007456	Chain guide	1	

<b>Group</b>	Engine
<b>Code</b>	03.040
<b>Description</b>	Crankcases I
<b>Service</b>	1



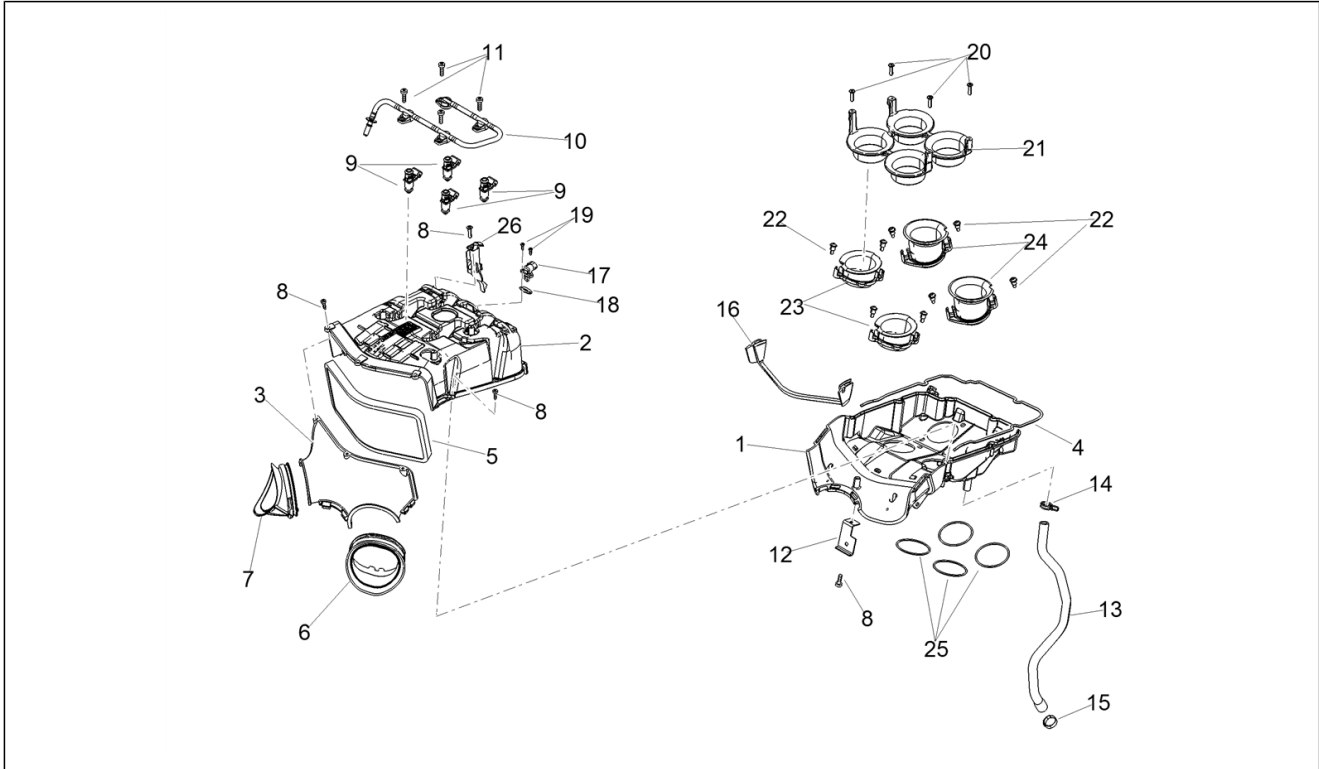
Pos.	Code	Description	Qty	Variants
1	1A0191775	Coupled crankcase with i.p.	1	
2	1A011257	Stud bolt M10X1,5	18	
3	897434	Flanged nut M10x1	6	
4	857427	Locating dowel M8x12	3	
5	411209	Locating dowel	4	
6	AP9100433	Screw w/ flange M6x50	8	
7	AP8152294	Screw w/ flange	4	
8	AP8152289	Screw w/ flange	1	
9	857128	Oil seal 30x47x7	1	
10	AP8152003	Hex socket screw M6x40	1	
11	B045224	12x8x12 roller bearing	1	
12	857090	Maintenance	1	
13	857208	Washer 19 x 10,5 x 1,6	6	
14	1A014175	Screw M8X16	4	
15	1A0132125	Piston cooling jet	4	
16	AP8152292	Screw w/ flange M8x50	3	
17	857109	Oil seal 17,12X2,62	1	
18	AP8150285	Hex socket screw M6x35	2	
19	1A017552	Oil seal 12X22	1	
20	1A011263	Special stud bolt	1	
21	857496	Special nut	1	
22	857144	O-ring	1	
23	897436	Bearing	1	
24	897435	Bearing	1	
25	AP9150145	Check bearing plate	2	
26	974060	Plug M16X1,5	3	
27	1A011248	Screw m6x16	2	
28	B045126	Relief Valve	1	

<b>Group</b>	Engine
<b>Code</b>	03.040
<b>Description</b>	Crankcases I
<b>Service</b>	1



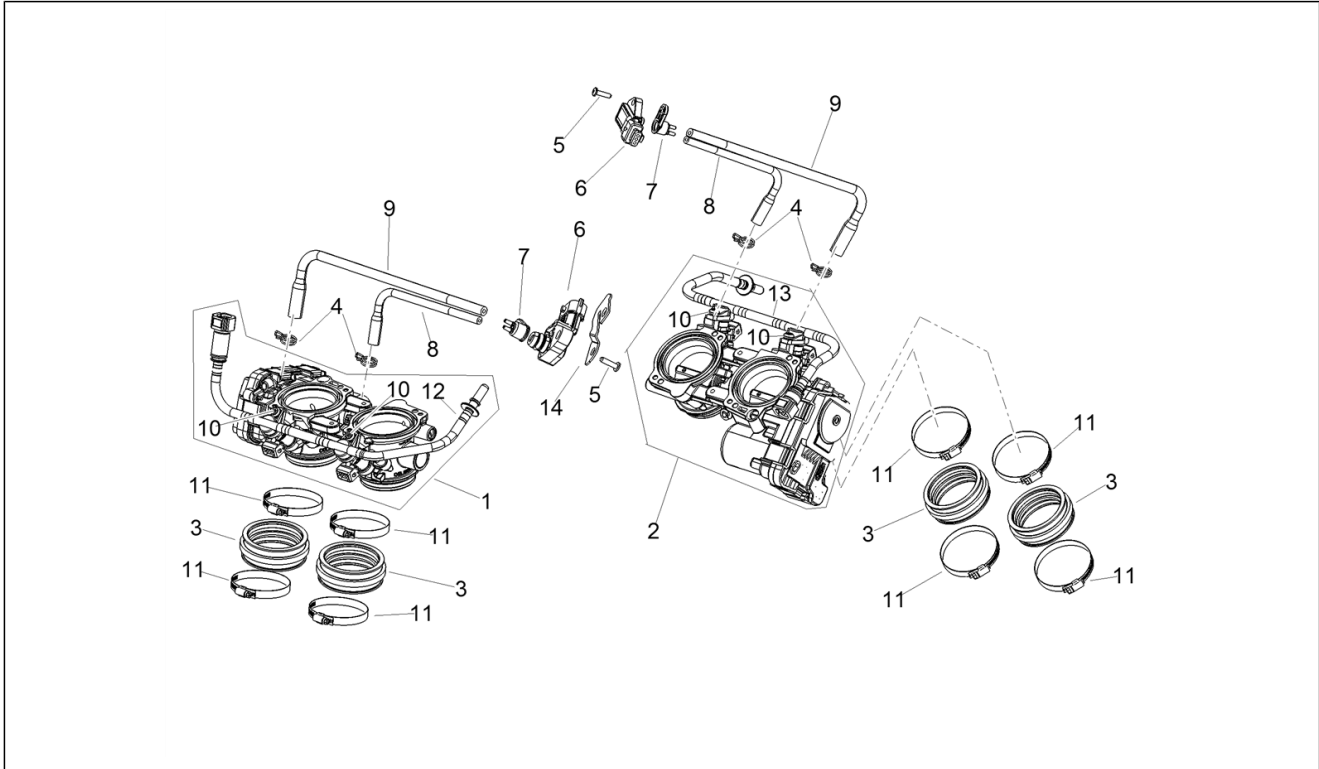
Pos.	Code	Description	Qty	Variants
29	AP8120965	O-ring 2018	2	
30	2A000363	Lubricating jet	1	
31	2A000569	Lubrication pipe	1	
32	AP8152277	Flanged hexagon screw M6x12	2	
33	1A005178	O-ring	5	

<b>Group</b>	Engine
<b>Code</b>	03.050
<b>Description</b>	Air box
<b>Service</b>	1



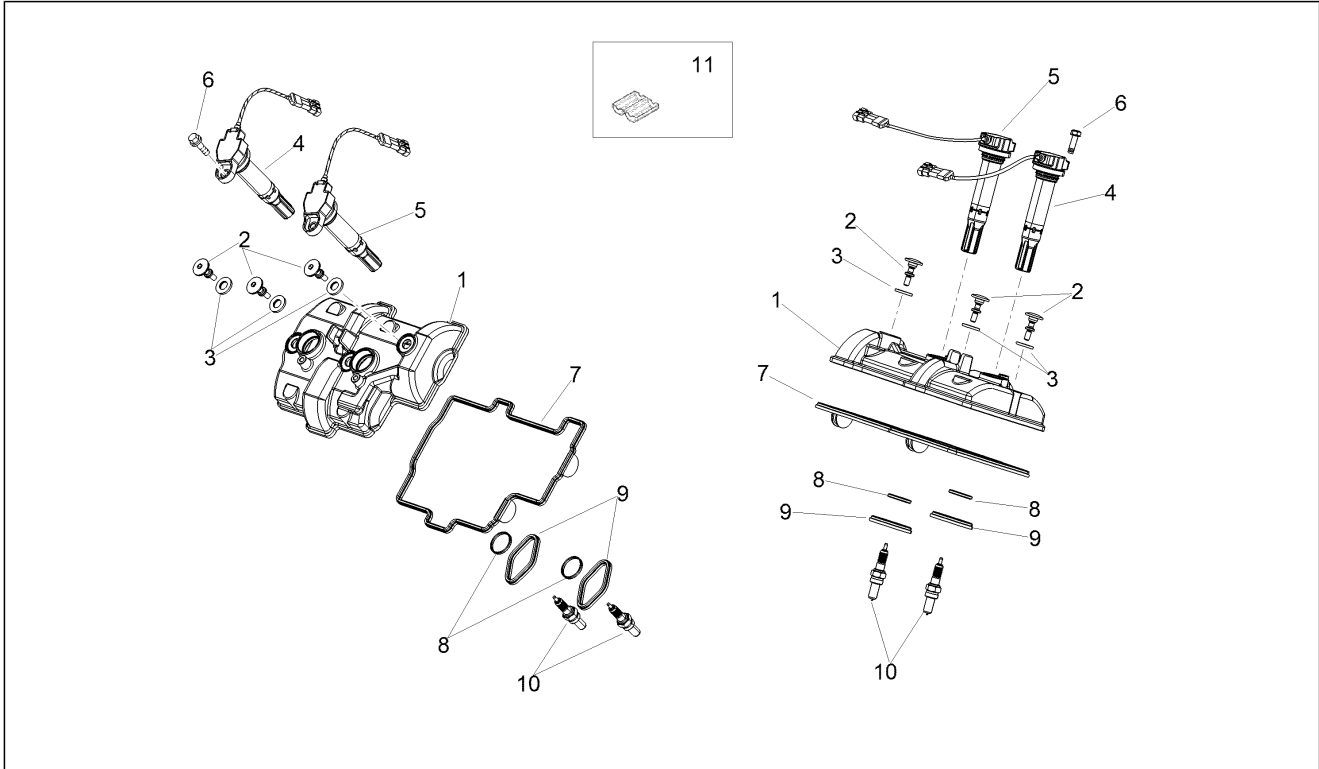
Pos.	Code	Description	Qty	Variants
1	2B001216	Filter housing base	1	
2	2B007168	Filter housing cover	1	
3	2B001218	Upper intake	1	
4	2B001217	Air filter housing seal	1	
5	2B001592R	Air filter	1	
6	2B001413	Intake hose LH	1	
7	2B001412	Intake hose RH	1	
8	AP8152329	Phillips screw, SWP M5x20	9	
9	1A0078665	Complete injector	4	
10	858807	Upper fuel rail	1	
11	AP8152329	Phillips screw, SWP M5x20	4	
12	2B007488	Fixing bracket	1	
13	858808	pipe blow-by	1	
14	CM002912	Hose clamp	1	
15	CM001927	Hose clamp	1	
16	2B001219	Air filter closing	1	
17	GU30729330	Air temp. Sensor	1	
18	GU30027931	Gasket	1	
19	AP8150421	Self-tap screw 2,9x12	2	
20	AP8152329	Phillips screw, SWP M5x20	4	
21	1A007708	Intake duct higher	1	
22	893132	screw	8	
23	1A007396	Intake duc lower front	2	
24	1A007397	Intake duct lower back	2	
25	893240	O-ring 56,82X2,62	4	
26	2B007194	Connector bracket	1	

<b>Group</b>	Engine
<b>Code</b>	03.060
<b>Description</b>	Throttle body
<b>Service</b>	1



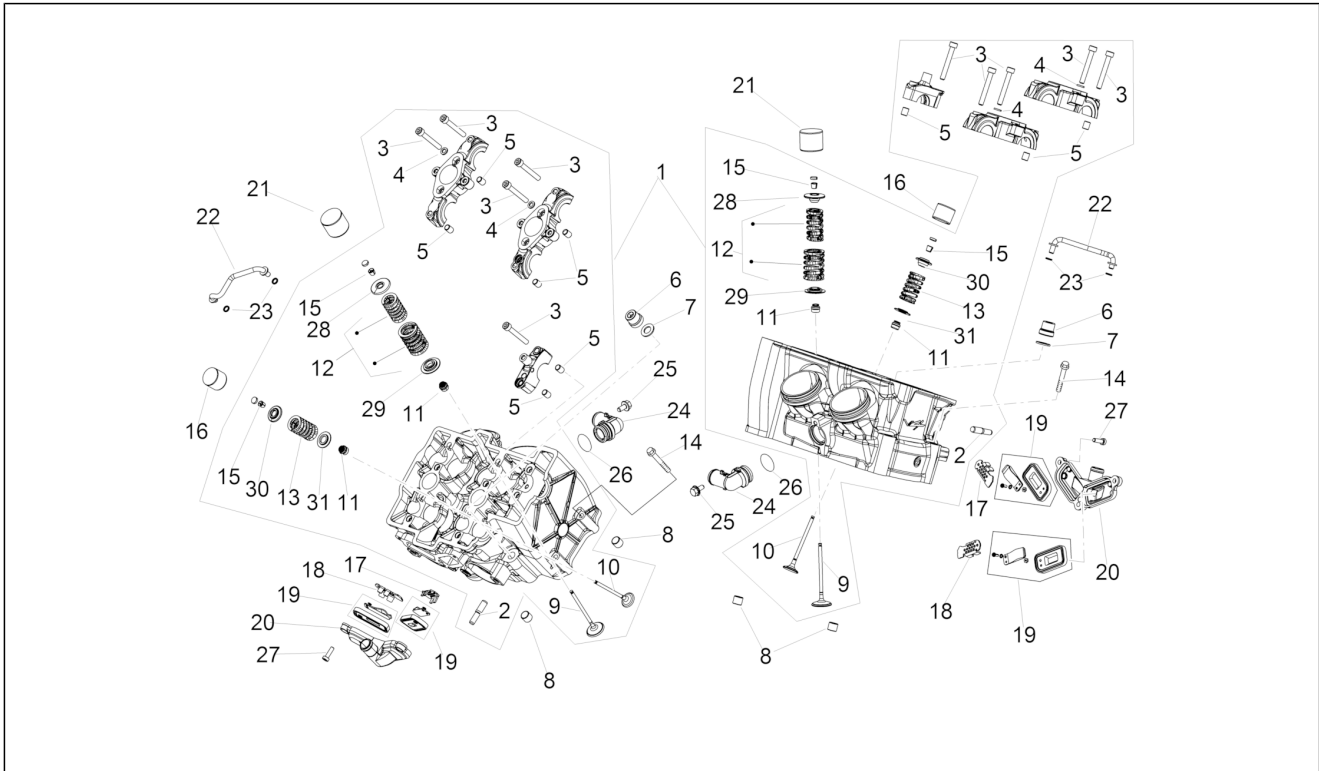
Pos.	Code	Description	Qty	Variants
1	1A019473	Front Throttle body	1	
2	1A019474	Rear Throttle body	1	
3	857305	Union	4	
4	CM002903	Hose clamp	4	
5	AP8152329	Phillips screw, SWP M5x20	2	
6	642302	Air pressure sensor	2	
7	894658	Joint	2	
8	2B001484	Depression pipe	2	
9	2B001483	Depression pipe	2	
10	896567	Sec. screw	4	
11	857306	Hose clamp	8	
12	896565	Fuel pipe, cpl. ant.	1	
13	896566	Fuel pipe, cpl. post.	1	
14	2B007458	Connector bracket	1	

<b>Group</b>	Engine
<b>Code</b>	03.090
<b>Description</b>	Cylinder head cover
<b>Service</b>	1



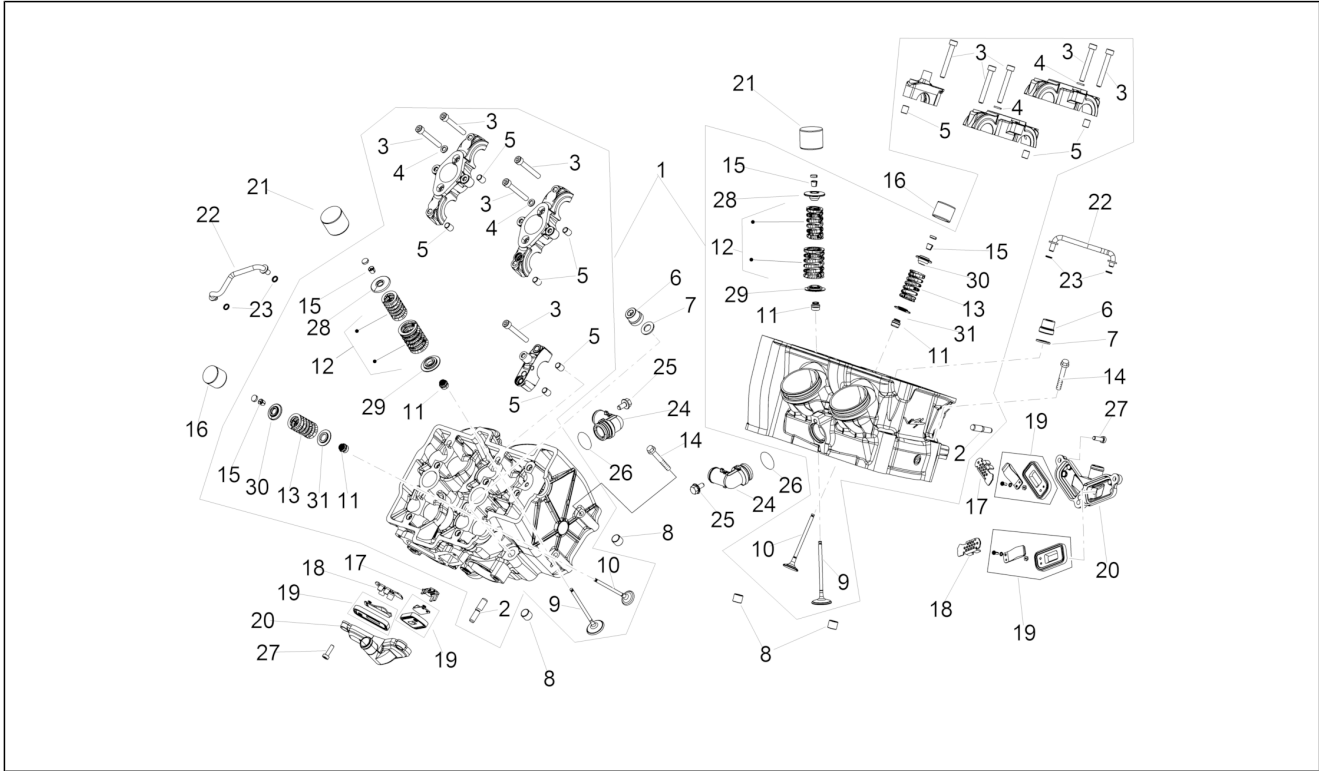
Pos.	Code	Description	Qty	Variants
1	2A000894	Head cover	2	
2	857071	Special screw	6	
3	898410	Damper drift	6	
4	857084	HT coil short cable	2	
5	857501	HT coil long cable	2	
6	AP8152277	Flanged hexagon screw M6x12	4	
7	897443	Valve cover gasket	2	
8	857043	Gasket	4	
9	857074	Gasket	4	
10	1A015311	Spark plug	4	
11	641815	Nucleo EMI	4	

<b>Group</b>	Engine
<b>Code</b>	03.100
<b>Description</b>	Cylinder head - valves
<b>Service</b>	1



Pos.	Code	Description	Qty	Variants
1	1A0131435	Cylinder head assembly	2	
2	857035	Stud bolt m10x171	8	
3	857085	Hex socket screw M6x45	20	
4	857042	Copper washer	8	
5	411209	Locating dowel	12	
6	897434	Flanged nut M10x1	12	
7	857208	Washer 19 x 10,5 x 1,6	12	
8	825597	Calibrated dowel 11,8x10	4	
9	2A000178	Valve, in	8	
10	2A000236	Exhaust valve	8	
11	436438	Valve gasket ring	16	
12	1A008432	Intake spring kit	2	
13	1A008435	Exhaust valve spring	2	
14	478895	Flanged hexagon screw	4	
15	857024	Valve half-cone	32	
16	855632	Valve lifter bucket	8	
17	857046	Spark arrester	2	
18	857047	Spark arrester	2	
19	857045	Reed valve	4	
20	857044	Cover reed valve	2	
21	2A000337	Suction valve bucket tappet	8	
22	857017	Oil sprayer pipe	2	
23	873097	O-ring	4	
24	857016	Angular union	2	
25	1A003153	Flanged hexagon screw	2	
26	857083	O-ring	2	
27	857048	screw M5x16	6	
28	2A000872	Intake upper valve flange	2	

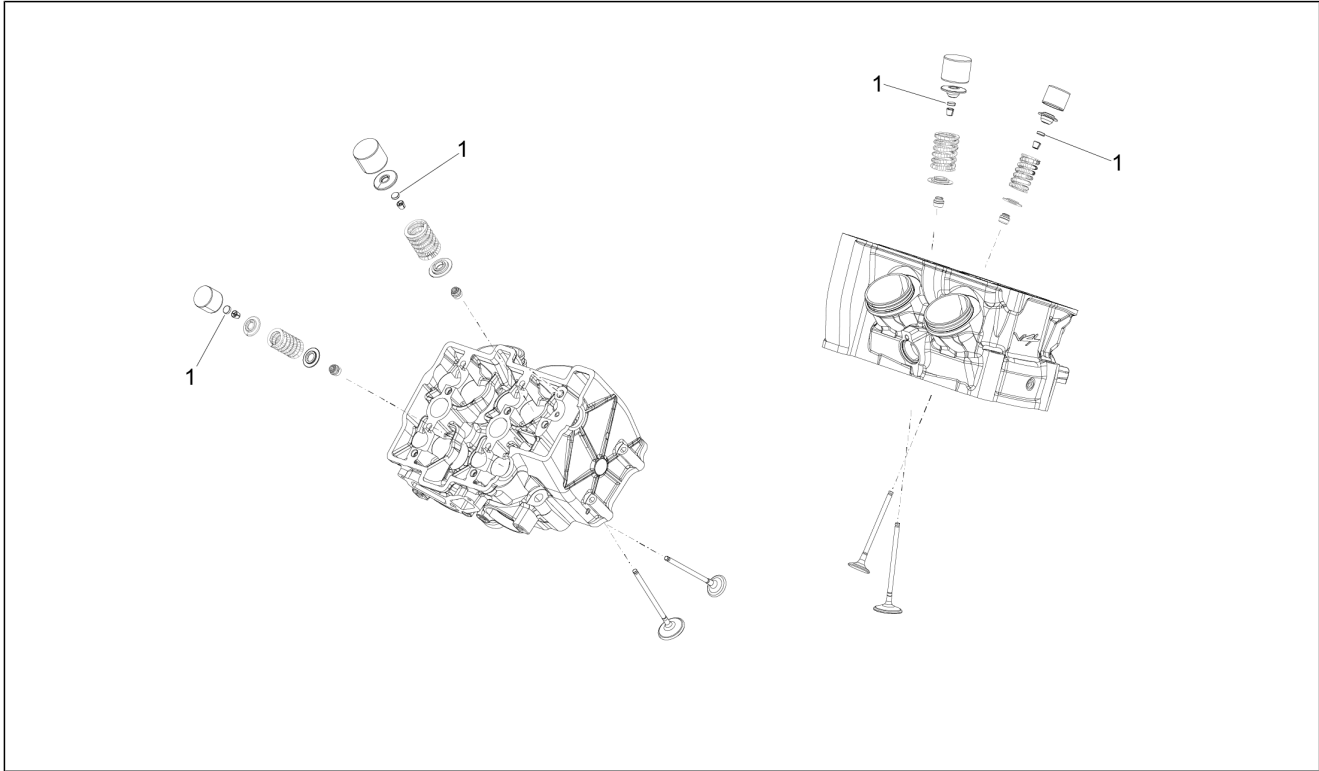
<b>Group</b>	Engine
<b>Code</b>	03.100
<b>Description</b>	Cylinder head - valves
<b>Service</b>	1



Pos.	Code	Description	Qty	Variants
29	2A000613	Intake lower valve flange	2	
30	2A000796	Discharge upper valve flange	2	
31	2A000795	Discharge lower valve flange	2	

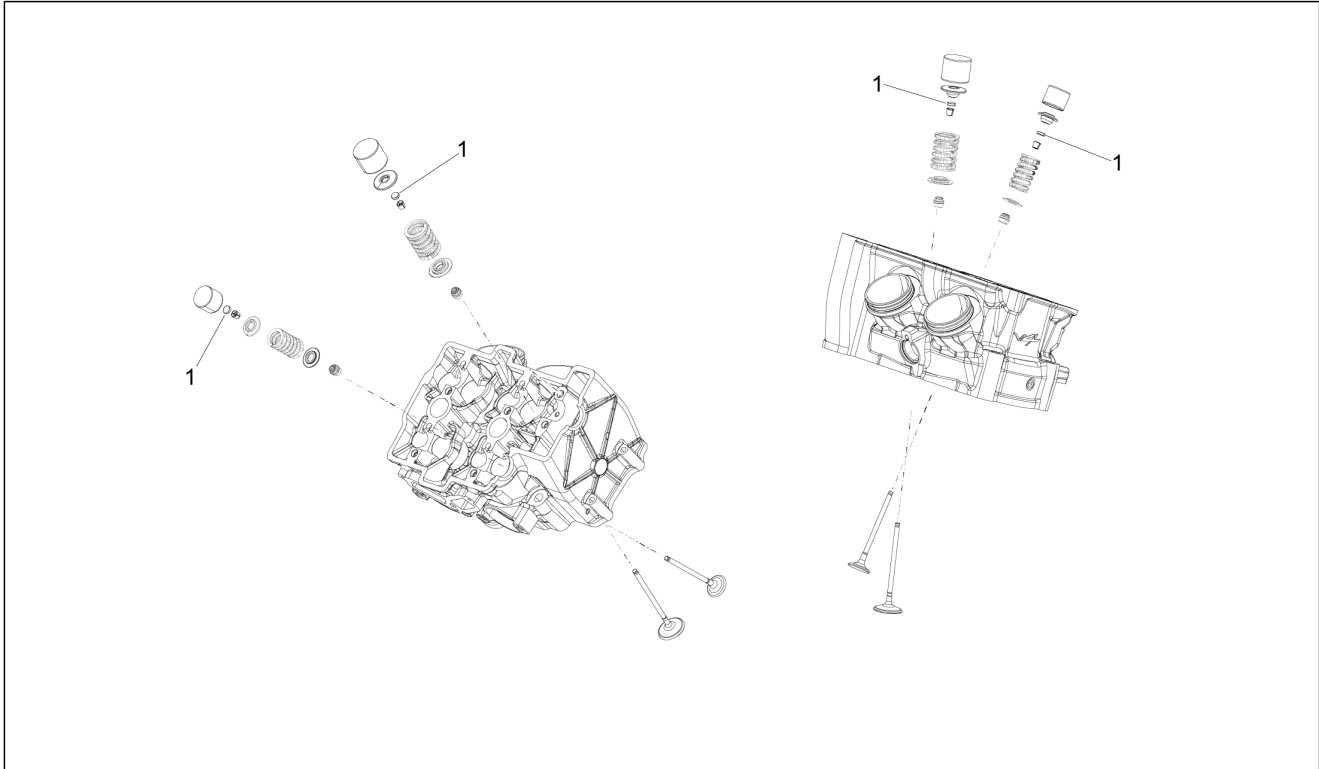


<b>Group</b>	Engine
<b>Code</b>	03.110
<b>Description</b>	Pad
<b>Service</b>	1



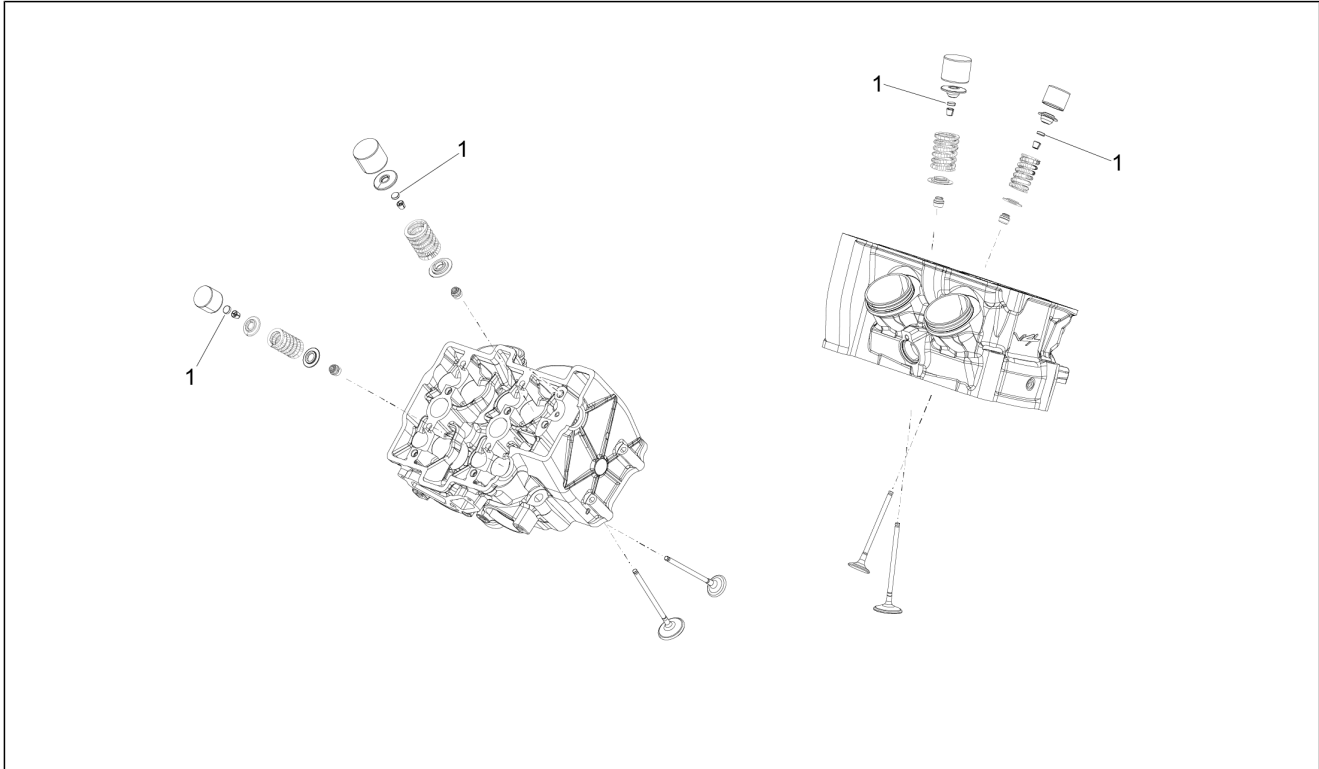
Pos.	Code	Description	Qty	Variants
1	CM228005	Pad 1,85	1	
1	CM228003	Pad 1,80	1	
1	CM228001	Pad 1,75	1	
1	CM228002	Pad 1,77	1	
1	CM228004	Pad 1,82	1	
1	CM228006	Pad 1,87	1	
1	CM228007	Pad 1,90	1	
1	CM228008	Pad 1,92	1	
1	CM228009	Pad 1,95	1	
1	CM228010	Pad 1,97	1	
1	CM228011	Pad 2	1	
1	CM228012	Pad 2,02	1	
1	CM228013	Pad 2,05	1	
1	CM228014	Pad 2,07	1	
1	CM228015	Pad 2,10	1	
1	CM228016	Pad 2,12	1	
1	CM228017	Pad 2,15	1	
1	CM228018	Pad 2,17	1	
1	CM228019	Pad 2,20	1	
1	CM228020	Pad 2,22	1	
1	CM228021	Pad 2,25	1	
1	CM228022	Pad 2,27	1	
1	CM228023	Pad 2,30	1	
1	CM228024	Pad 2,32	1	
1	CM228025	Pad 2,35	1	
1	CM228026	Pad 2,37	1	
1	CM228027	Pad 2,40	1	
1	CM228028	Pad 2,42	1	

<b>Group</b>	Engine
<b>Code</b>	03.110
<b>Description</b>	Pad
<b>Service</b>	1



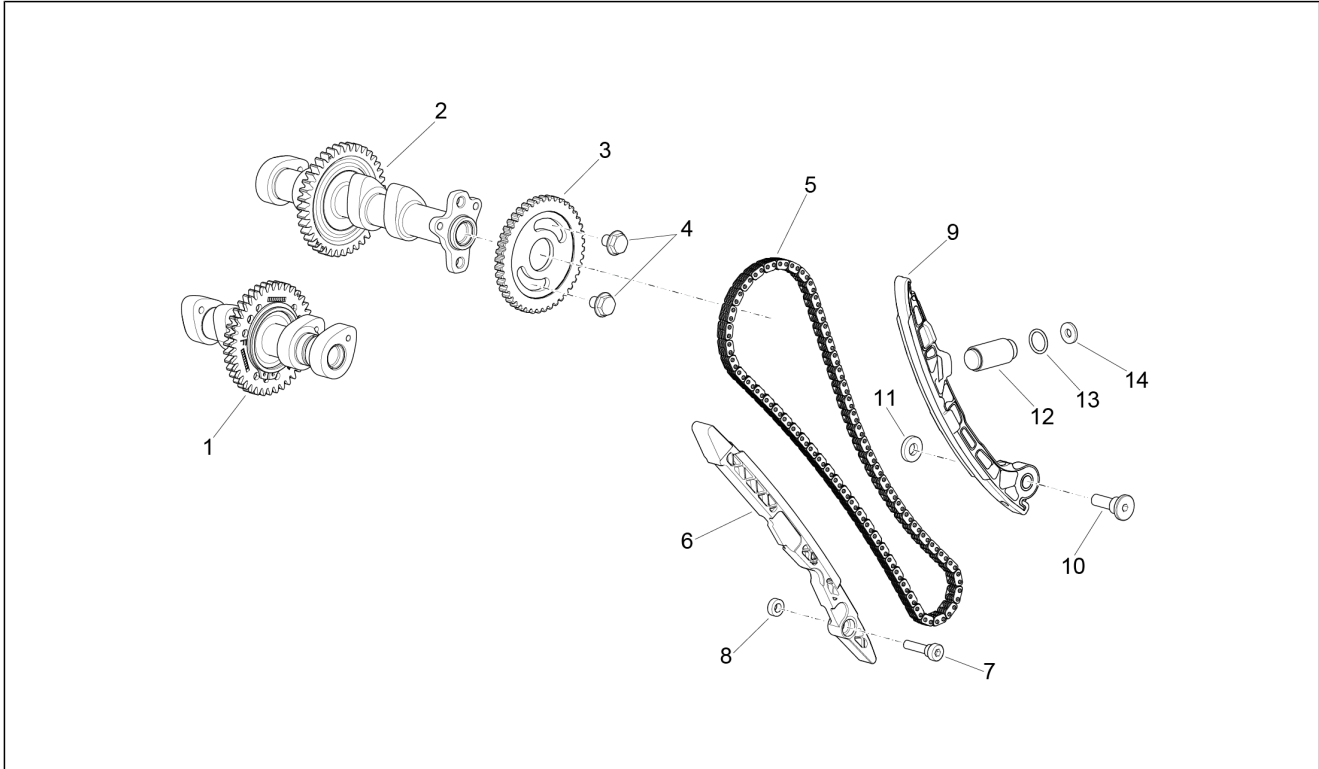
Pos.	Code	Description	Qty	Variants
1	CM228029	Pad 2,45	1	
1	CM228030	Pad 2,47	1	
1	CM228031	Pad 2,50	1	
1	CM228032	Pad 2,52	1	
1	CM228033	Pad 2,55	1	
1	CM228034	Pad 2,57	1	
1	CM228035	Pad 2,60	1	
1	CM228036	Pad 2,62	1	
1	CM228037	Pad 2,65	1	
1	CM228038	Pad 2,67	1	
1	CM228039	Pad 2,70	1	
1	CM228040	Pad 2,72	1	
1	CM228041	Pad 2,75	1	
1	CM228042	Pad 2,77	1	
1	CM228043	Pad 2,80	1	
1	CM228044	Pad 2,82	1	
1	CM228045	Pad 2,85	1	
1	CM228046	Pad 2,87	1	
1	CM228047	Pad 2,90	1	
1	CM228048	Pad 2,92	1	
1	CM228049	Pad 2,95	1	
1	CM228050	Pad 2,97	1	
1	CM228051	Pad 3	1	
1	CM228052	Pad 3,02	1	
1	CM228053	Pad 3,05	1	
1	CM228054	Pad 3,07	1	
1	CM228055	Pad 3,10	1	
1	CM228056	Pad 3,12	1	

<b>Group</b>	Engine
<b>Code</b>	03.110
<b>Description</b>	Pad
<b>Service</b>	1



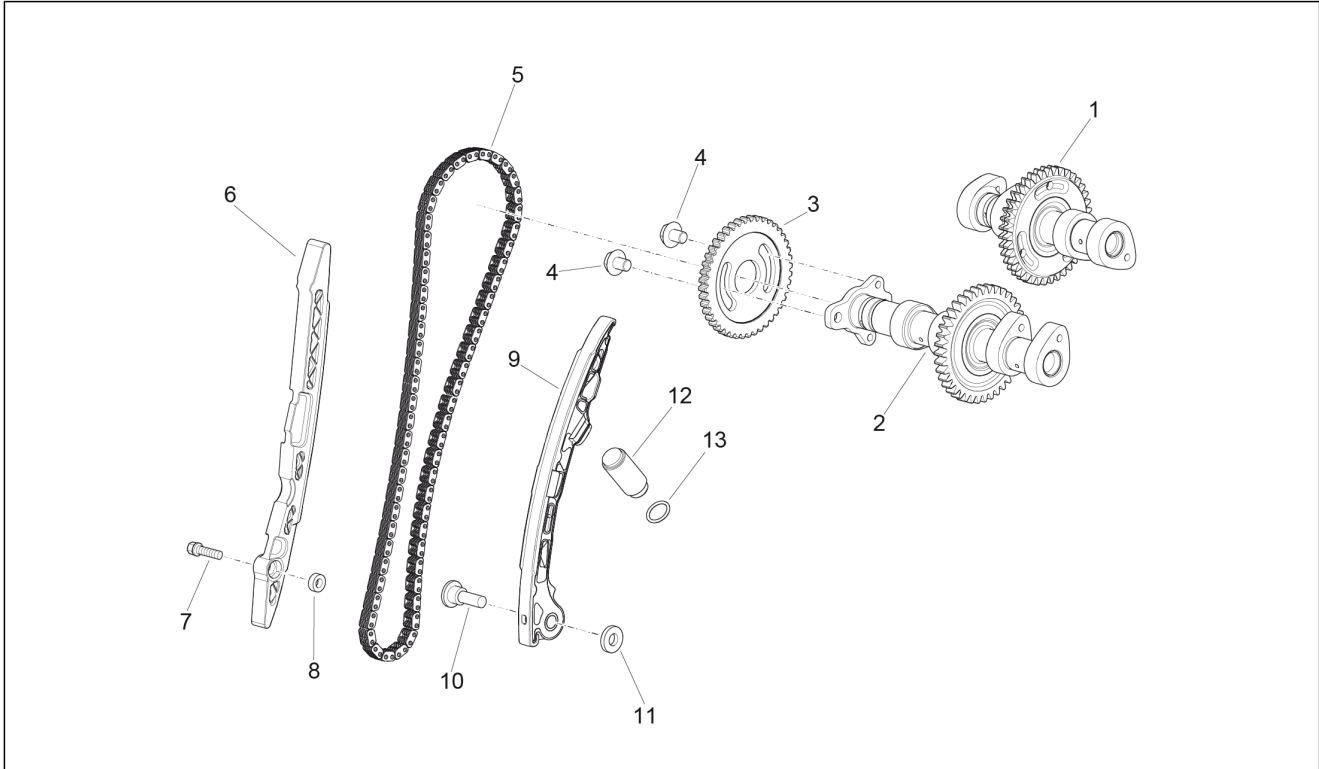
Pos.	Code	Description	Qty	Variants
1	CM228057	Pad 3,15	1	

<b>Group</b>	Engine
<b>Code</b>	03.130
<b>Description</b>	Front cylinder timing system
<b>Service</b>	1



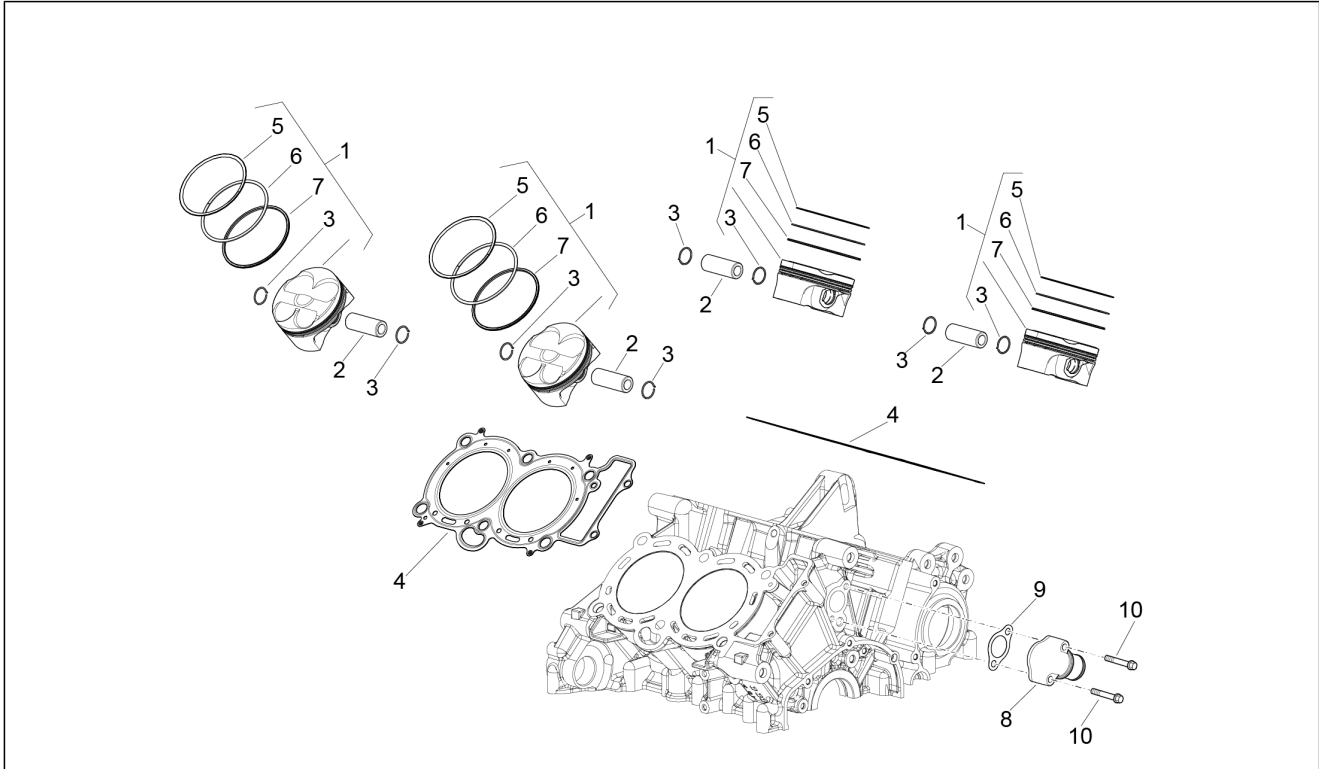
Pos.	Code	Description	Qty	Variants
1	2A0007585	Front exhaust camshaft	1	
2	2A0006715	Front intake camshaft	1	
3	857546	Timing system gear Z=44	1	
4	1A003151	Screw w/ flange M8X10.3	2	
5	897444	Driving chain	1	
6	2A000559	Chain guide plate	1	
7	1A003110	Special screw M6x18	1	
8	857477	Bushing	1	
9	1A004792	Compl. chain tensioner brake pad	1	
10	1A003155	Special screw M8	1	
11	857096	Washer 18,5x8,5x3,3	1	
12	1A0047845	Chain tensioner assy.	2	
13	857176	O-ring	1	
14	B045476	Washer 15x6x2	1	

<b>Group</b>	Engine
<b>Code</b>	03.140
<b>Description</b>	Rear cylinder timing system
<b>Service</b>	1



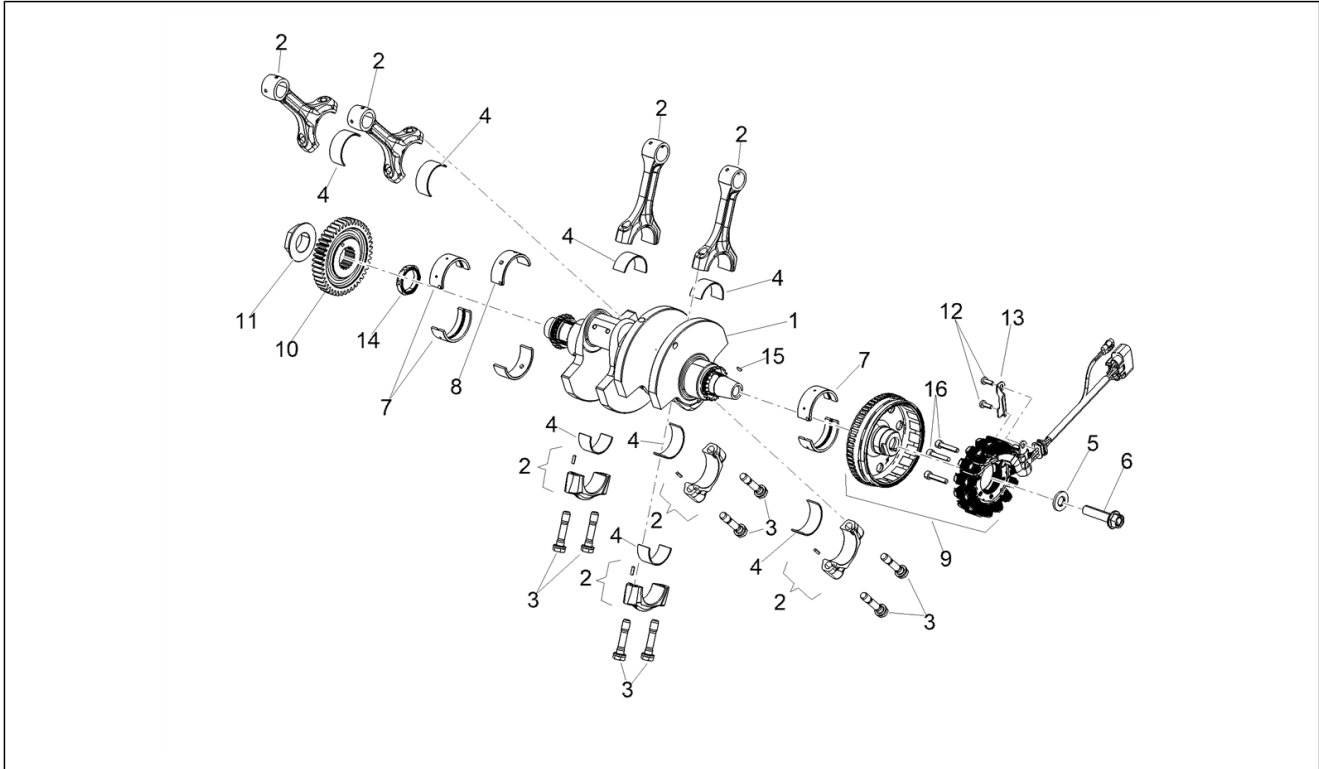
Pos.	Code	Description	Qty	Variants
1	2A0007605	Rear exhaust camshaft	1	
2	2A0006725	Rear intake camshaft	1	
3	857546	Timing system gear Z=44	1	
4	1A003151	Screw w/ flange M8X10.3	2	
5	897444	Driving chain	1	
6	2A000559	Chain guide plate	1	
7	1A003110	Special screw M6x18	1	
8	857477	Bushing	1	
9	1A004792	Compl. chain tensioner brake pad	1	
10	857094	Special screw M8	1	
11	857096	Washer 18,5x8,5x3,3	1	
12	1A0047845	Chain tensioner assy.	1	
13	857176	O-ring	1	

<b>Group</b>	Engine
<b>Code</b>	03.150
<b>Description</b>	Cylinder - Piston
<b>Service</b>	1



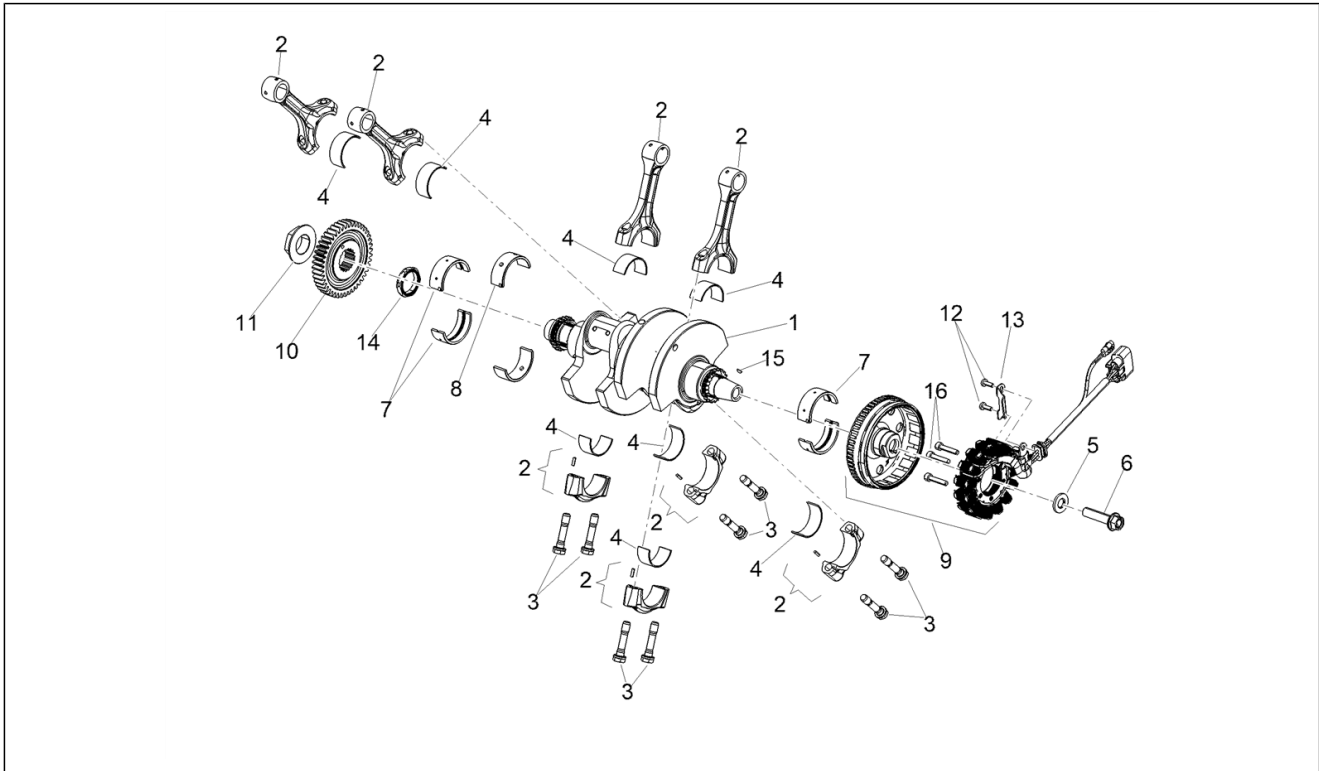
Pos.	Code	Description	Qty	Variants
1	1A014402AA	Complete piston cat.A	4	
1	1A014402BB	Complete piston cat.B	4	
2	2A000630	Piston pin	4	
3	2A000450	Stop ring	4	
4	2A000370	Cylinder head gasket	2	
5	2A000734	Piston ring	4	
6	2A000735	Piston ring	4	
7	2A000739	Piston ring	4	
8	857126	Joint	1	
9	1A006321	Union gasket	1	
10	872117	Screw w/ flange	2	

<b>Group</b>	Engine
<b>Code</b>	03.160
<b>Description</b>	Crankshaft
<b>Service</b>	1



Pos.	Code	Description	Qty	Variants
1	1A018892LL	Crankshaft LL	1	
1	1A018892MM	Crankshaft MM	1	
1	1A018892NN	Crankshaft NN	1	
1	1A018892OO	Crankshaft OO	1	
1	1A018892PP	Crankshaft PP	1	
2	2A000622AA	Connecting rod, selection class "A"	1	
2	2A000622BB	Connecting rod, selection class "B"	1	
2	2A000622CC	Class "C" connecting rod	1	
2	2A000622DD	Class "D" connecting rod	1	
2	2A000622EE	Connecting rod, selection class "E"	1	
3	B045844	Connecting rod screw	8	
4	2A0008370B	Connecting rod half-bearing, blue	4	
4	2A0008370G	Connecting rod half-bearing, yellow	4	
4	2A0008370V	Connecting rod half-bearing, green	4	
5	897478	Washer 12x26.5x3	1	
6	857206	Screw w/ flange M12X1,25X50	1	
7	8571320G	Bushing half-shell, yellow	4	
7	8571320N	Black central bushing half case	4	
7	8571320V	Bearing half-shell, green	4	
8	8571300G	Bushing half-shell, yellow	2	
8	8571300N	Black bushing half shell	2	
8	8571300V	Green central bushing half case	2	
9	1A018304	Complete magneto flywheel	1	
10	2A000535	Primary drive gear	1	
11	B043204	Ring nut	1	
12	1A002951	Hex socket screw M6X30	2	
13	1A016340	Fixing plate	1	
14	897474	Sprocket spacer	1	

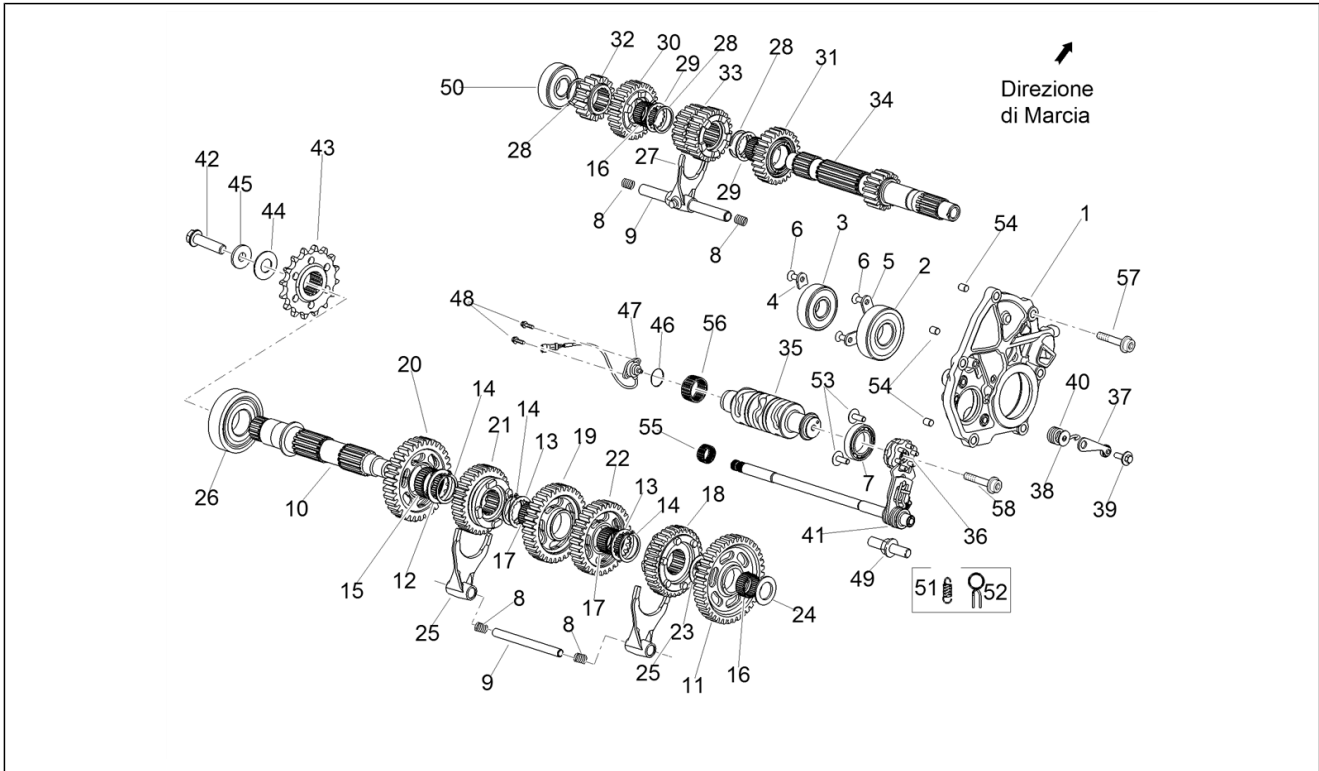
<b>Group</b>	Engine
<b>Code</b>	03.160
<b>Description</b>	Cranckshaft
<b>Service</b>	1



Pos.	Code	Description	Qty	Variants
15	000267	Untapered key	1	
16	1A002951	Hex socket screw M6X30	3	

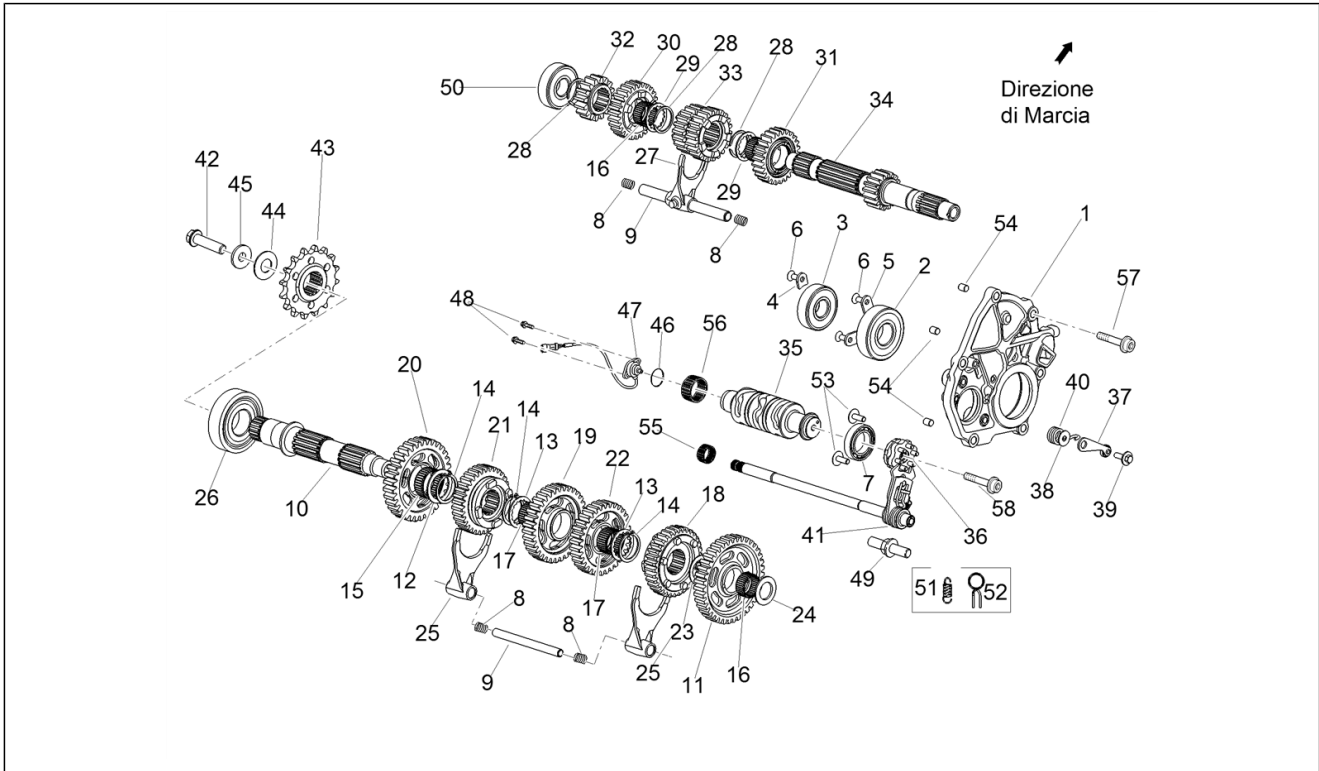


<b>Group</b>	Engine
<b>Code</b>	03.180
<b>Description</b>	Gear box - Gear assembly
<b>Service</b>	1



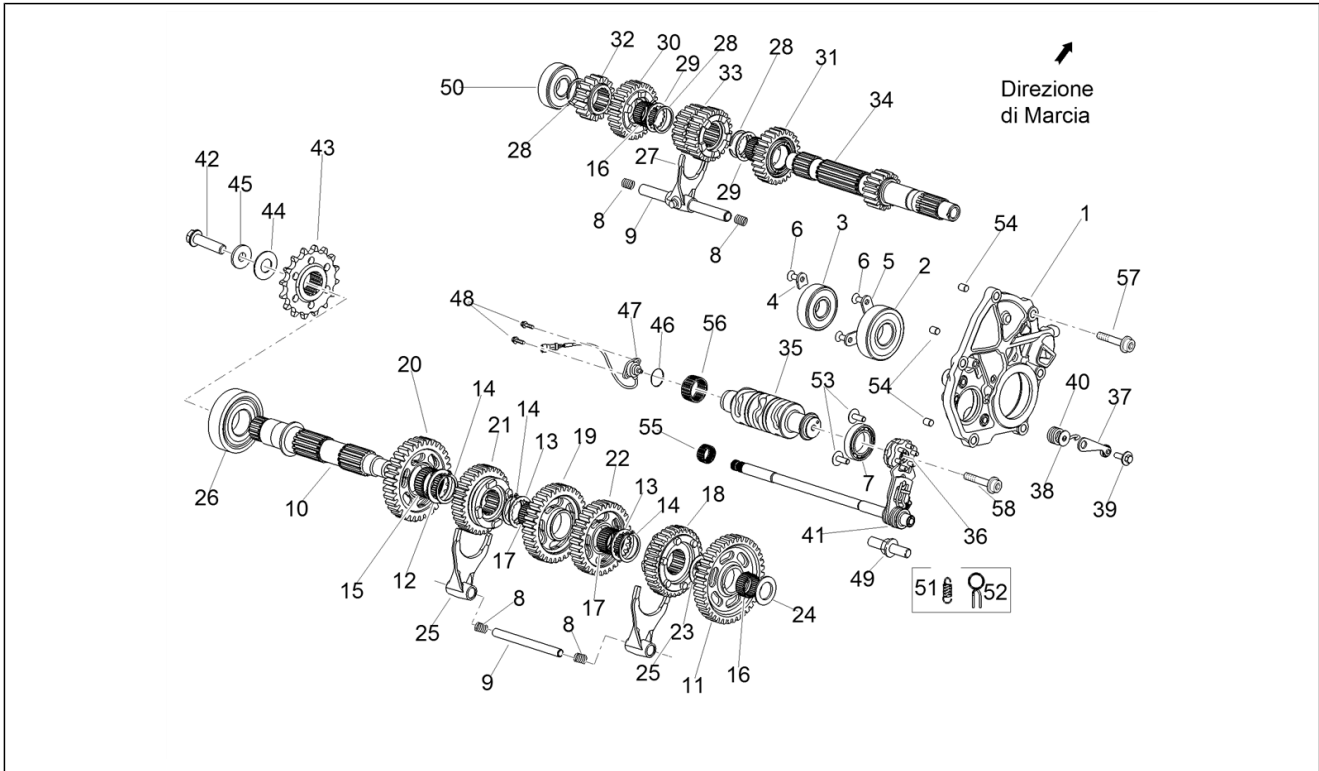
Pos.	Code	Description	Qty	Variants
1	2A000436	Trasmission support	1	
2	898634	Ball bearing 25x62x17	1	
3	898635	Ball bearing 20x52x15	1	
4	AP9150145	Check bearing plate	1	
5	857271	Check bearing plate	2	
6	1A011261	Hex socket screw M6X16	3	
7	857250	Ball bearing 25x42x9	1	
8	857175	Spring	4	
9	2A000440	Fork shaft	2	
10	857236	Driven shaft	1	
11	2A000879	1st wheel gear Z=39	1	
12	857308	Washer 30x40x1,5	1	
13	857247	Clearance washer	2	
14	857248	Circlip D30	3	
15	857309	Roller cage 30x35x13	1	
16	857233	Roller cage 24x28x13	3	
17	857244	Roller cage 26x30x15,6	2	
18	2A000890	5th wheel gear Z=34	1	
19	2A000285	3rd gear on the sec. Z=34	1	
20	2A000284	2nd gear on the sec. Z=33	1	
21	857242	6th wheel gear Z=33	1	
22	2A000286	4th gear on the sec. Z=31	1	
23	857246	Washer 24x35x1	1	
24	857245	Washer 20,1x33,5x2,5	1	
25	2A000558	Fork	2	
26	898633	Ball bearing 30X72X19	1	
27	2A000453R	Fork	1	
28	857232	Washer for shafts	3	

<b>Group</b>	Engine
<b>Code</b>	03.180
<b>Description</b>	Gear box - Gear assembly
<b>Service</b>	1



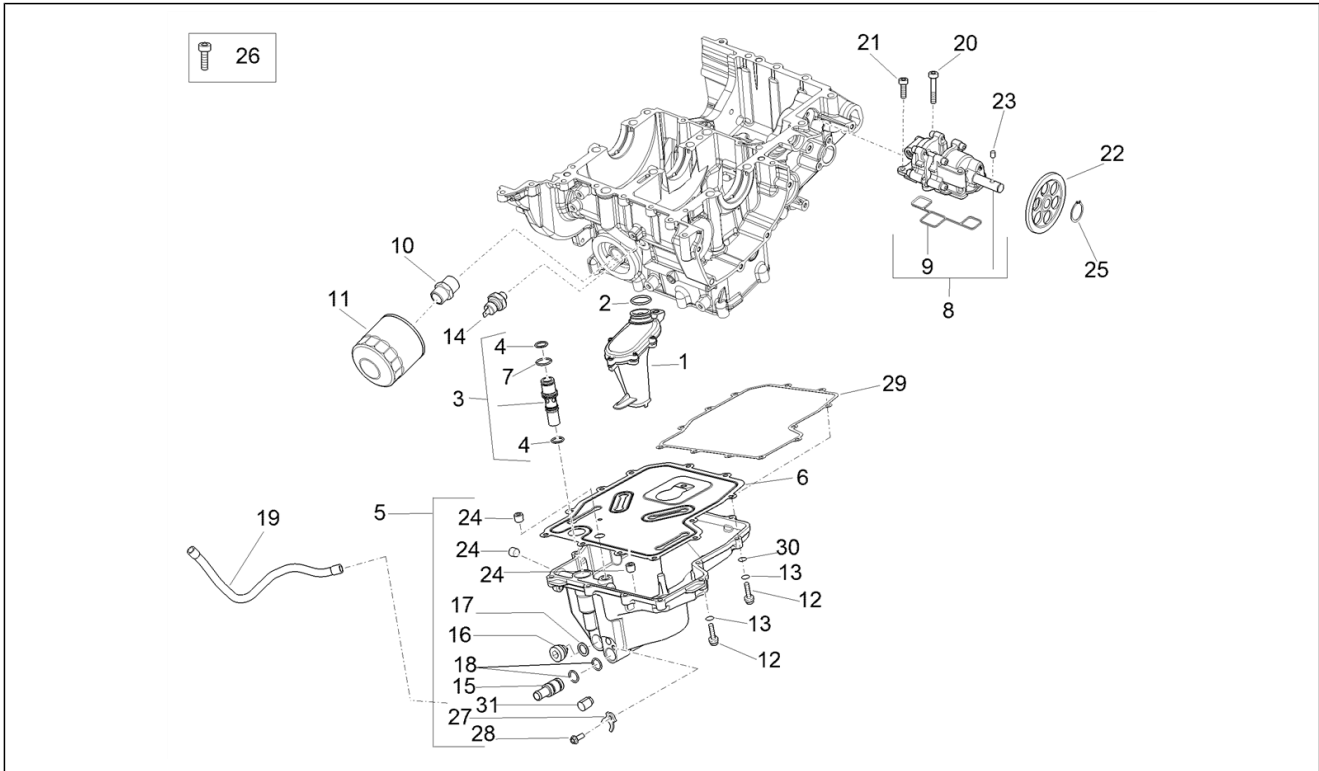
Pos.	Code	Description	Qty	Variants
29	857234	Clearance washer	2	
30	857231	6th pinion gear Z=27	1	
31	857230	5th pinion gear Z=26	1	
32	2A000278	2nd gear on the sec. Z=16	1	
33	2A000554	3rd-4th pinion gear Z=20/21	1	
34	2A000552	Primary gear shaft	1	
35	857251	Shift cam	1	
36	857123	Index washer	1	
37	857274	Index assy. lever	1	
38	AP9150051	Washer D6,3x18x1	1	
39	AP9150006	Screw w/ flange M6x15	1	
40	2A000048	Spring	1	
41	857253	Gear shaft+spring cpl.	1	
42	AP8152318	Screw w/ flange M10x35	3	
43	890827	Pinion Z=16	1	
44	854909	Belleville spring	1	
45	854951	T bush	2	
46	857494	O-ring	1	
47	2D000300	Gear position sensor	1	
48	AP8152273	Screw w/ flange M5x15	2	
49	899599	Threaded pin	1	
50	898636	Ball bearing 20x52x15	1	
51	857260	Fasten spring	1	
52	2A000047	Spring	1	
53	GU98370616	Hex socket screw M6x16 inox	2	
54	857427	Locating dowel M8x12	3	
55	B045224	12x8x12 roller bearing	1	
56	857249	Drawn cap HK1512	1	

<b>Group</b>	Engine
<b>Code</b>	03.180
<b>Description</b>	Gear box - Gear assembly
<b>Service</b>	1



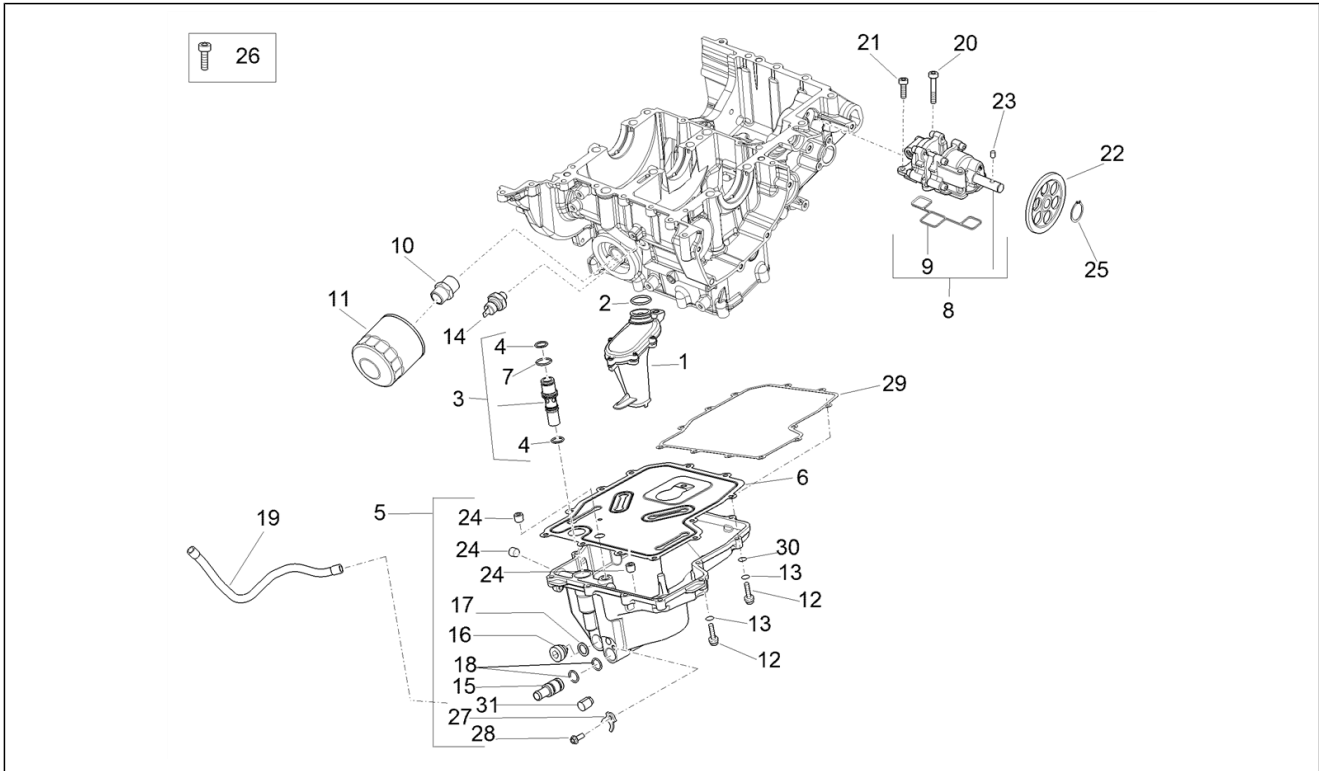
Pos.	Code	Description	Qty	Variants
57	AP8152287	Screw w/ flange M8x25	6	
58	1A011247	SHC screw M6x20	1	

<b>Group</b>	Engine
<b>Code</b>	03.190
<b>Description</b>	Lubrication
<b>Service</b>	1



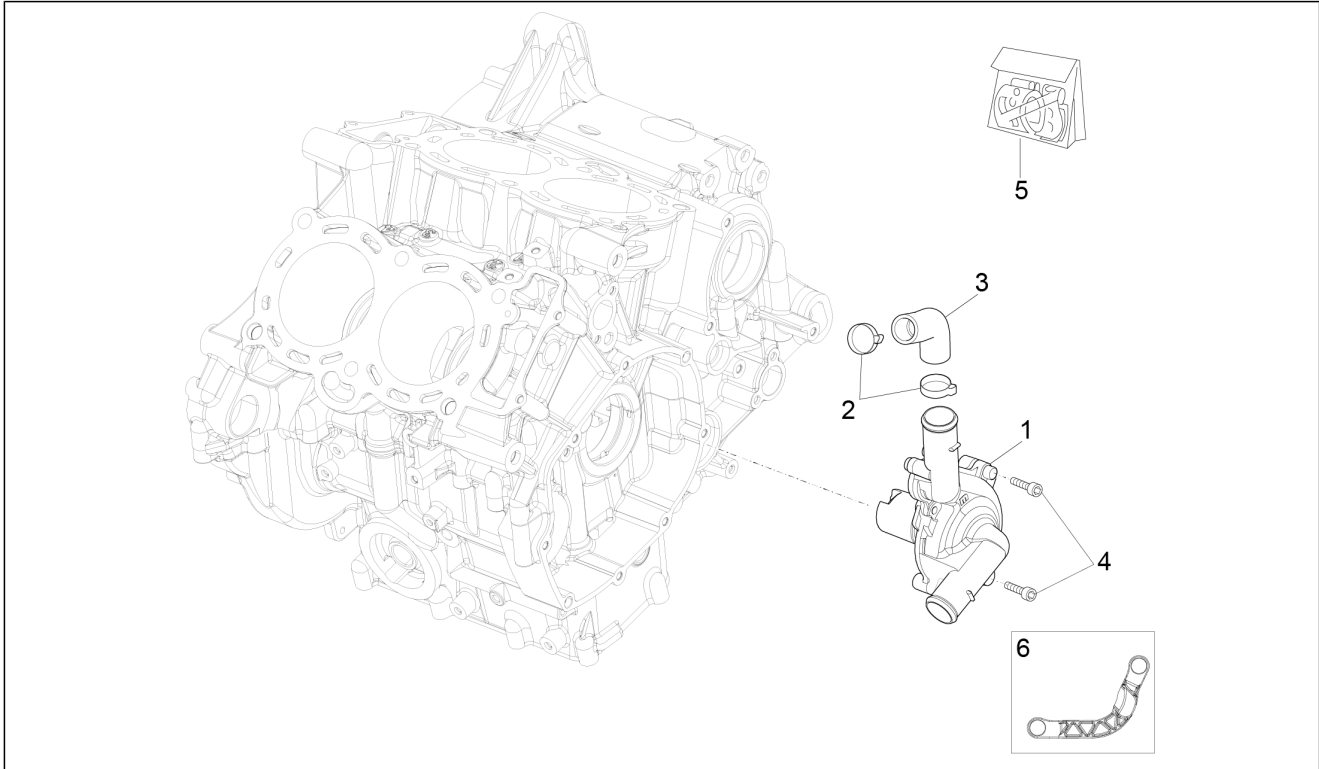
Pos.	Code	Description	Qty	Variants
1	2A000595	Oil strainer	1	
2	B046072	Or packing 24x2,5 - 80 FKM	1	
3	1A014490	Oil pressure adjusting valve	1	
4	857176	O-ring	2	
5	1A0063195	Motor oil cup	1	
6	2A000576	Sump gasket	1	
7	2A000276	O-ring	1	
8	2A000539	Oil pump	1	
9	857189	O-ring	1	
10	857168	Oil filter union	1	
11	857187	Oil filter	1	
12	289731	Screw w/ flange M6x30	12	
13	016335	Washer	12	
14	1D001138	Minimum oil pressure sensor	1	
15	2A000357	Oil inlet pipe	1	
16	857184	Cover	1	
17	857147	Gasket OR	1	
18	857176	O-ring	2	
19	2B001806	Oil pipe	1	
20	277330	Hex socket screw	1	
21	709099	Countersunk cylindrical hex head screw M6x16	5	
22	85273R	Pump gear	1	
23	857192	Roller 5X19,8	1	
24	B044718	Conical threaded plug	3	
25	006412	Circlip	1	
26	AP8150044	Hex socket screw M6x20	1	
27	2A000358	Retainer plate	1	
28	1A003049	Hex socket screw	1	

<b>Group</b>	Engine
<b>Code</b>	03.190
<b>Description</b>	Lubrication
<b>Service</b>	1



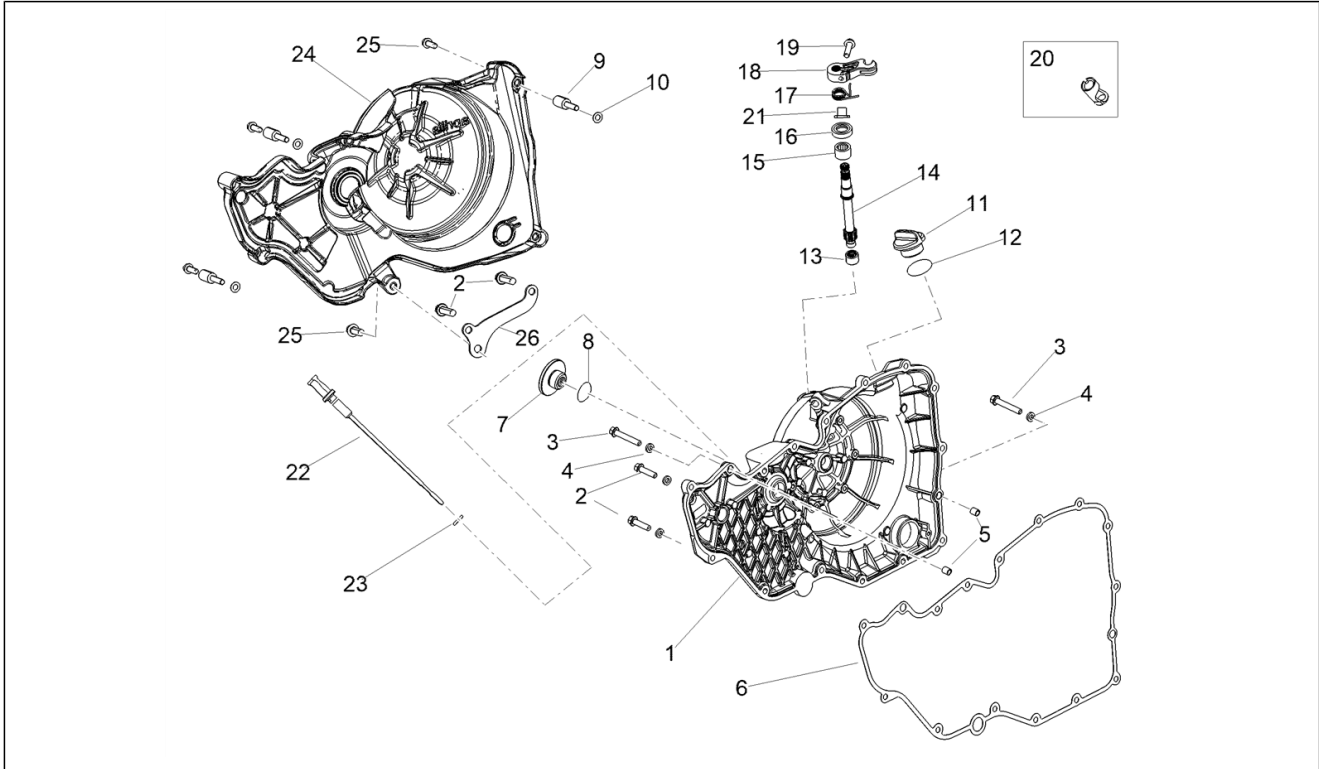
Pos.	Code	Description	Qty	Variants
29	857452	Gasket	2	
30	013777	Washer 6.4x13x1.5	8	
31	2A000359	Cover Textron D10	1	

<b>Group</b>	Engine
<b>Code</b>	03.210
<b>Description</b>	Cooler pump
<b>Service</b>	1



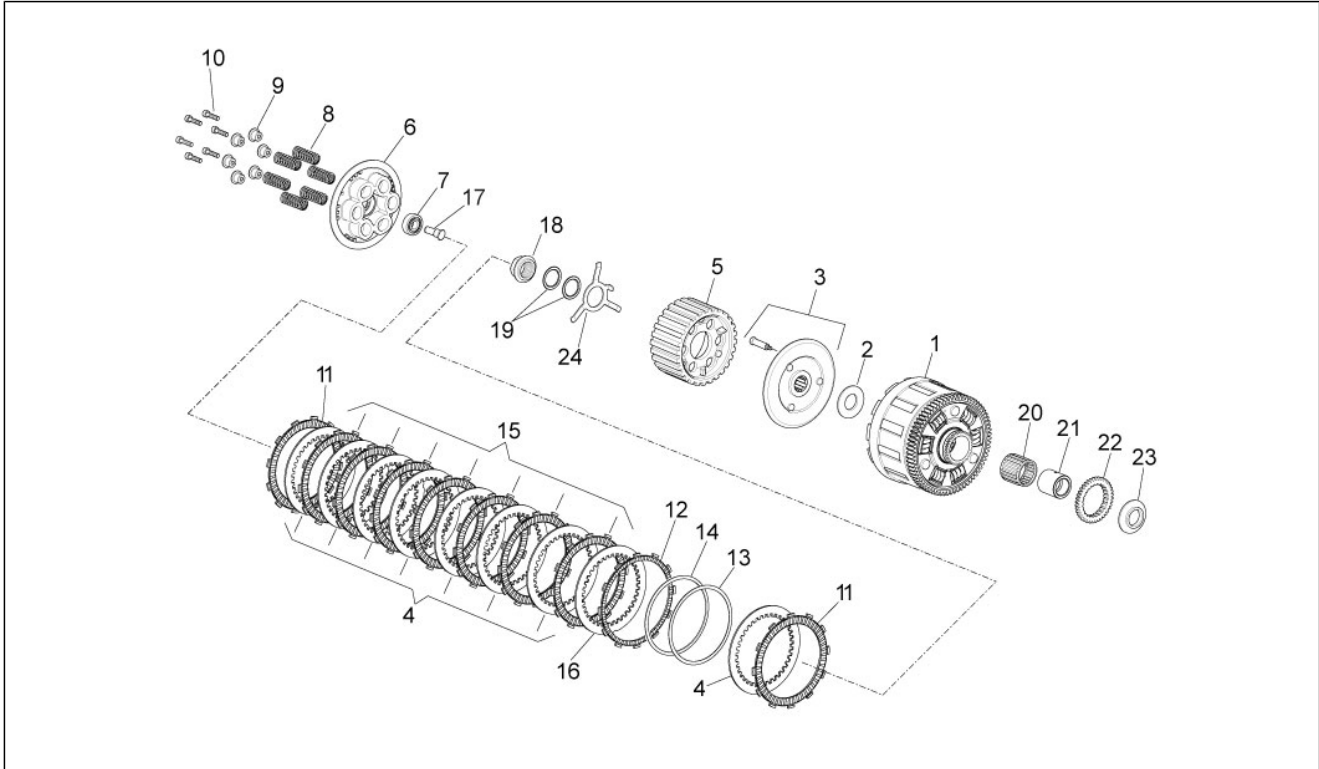
Pos.	Code	Description	Qty	Variants
1	2A000802	Water pump assy	1	
2	CM269609	Hose clamp	2	
3	2B002201	Water delivery tube	1	
4	840893	Hex socket screw M6x25	2	
5	893968	Water pump kit	1	
6	B043231	Water pump cap	1	

<b>Group</b>	Engine
<b>Code</b>	03.220
<b>Description</b>	Clutch cover
<b>Service</b>	1



Pos.	Code	Description	Qty	Variants
1	1A016742	Clutch cover	1	
2	857429	Flanged hexagon screw	14	
3	857436	Flanged hexagon screw	2	
4	AP8150429	Spring washer 6,4x11x0,5*	16	
5	411209	Locating dowel	2	
6	857451	Gasket	1	
7	857543	Inspection cover	1	
8	857078	O-ring	1	
9	1A009050	Special screw	4	
10	658830	Curved spring washer 6x12	4	
11	974229	Oil load plug	1	
12	AP8144424	O-ring 4075	1	
13	B045225	Drawn cap 10x14x10	1	
14	2A000033R	Clutch control spindle	1	
15	B045224	12x8x12 roller bearing	1	
16	1A017552	Oil seal 12X22	1	
17	857461	Clutch lever return spring	1	
18	1A013806	Lever	1	
19	1A013842	Screw w/ flange M6X20	1	
20	B043542	Clutch control pin bushing	1	
21	857460	T bush	1	
22	2A000573	Oil dipstick	1	
23	2A000632	O-ring 9x1.5	1	
24	1A016761	Cover soundproofing material	1	
25	874555	Flanged hexagon screw M6x16	4	
26	1A006984	Bracket	1	

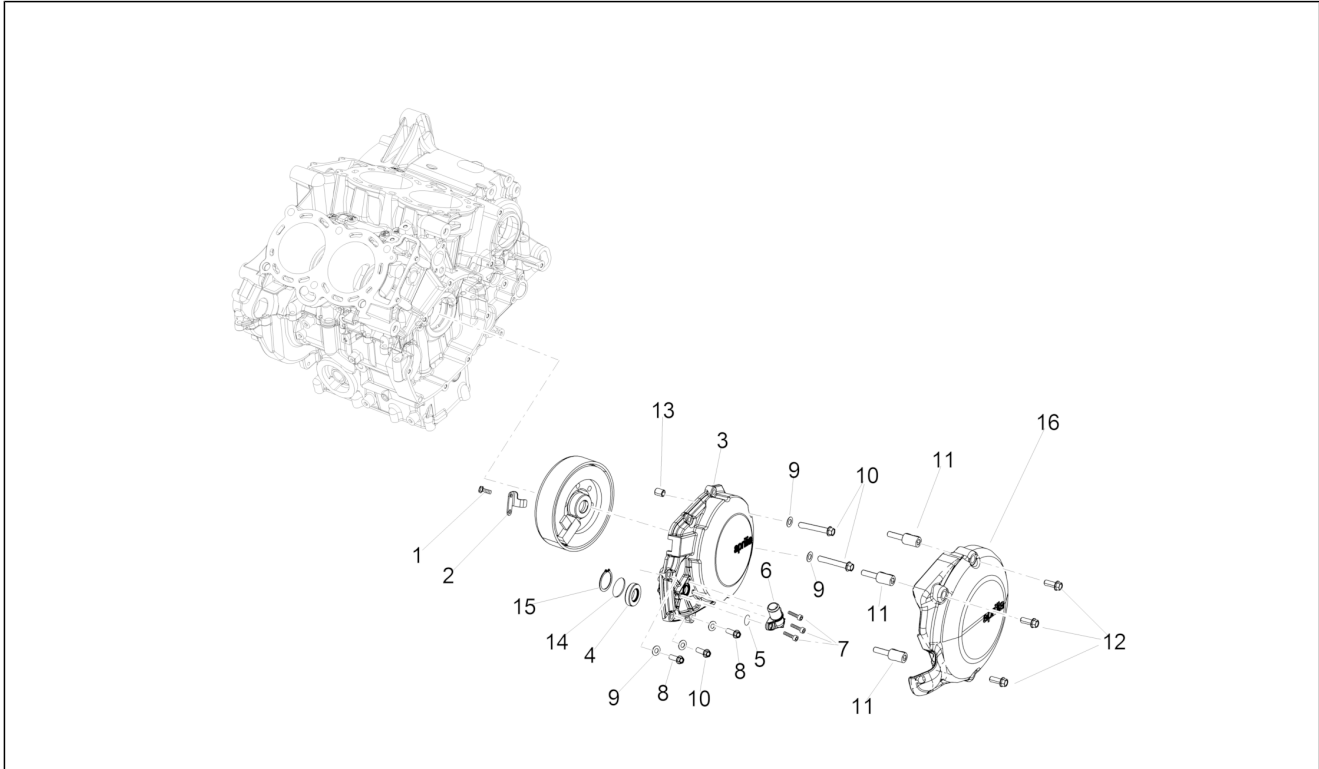
<b>Group</b>	Engine
<b>Code</b>	03.230
<b>Description</b>	Clutch
<b>Service</b>	1



Pos.	Code	Description	Qty	Variants
1	2A000634	Clutch drum	1	
2	893774	Washer 25,5x47x2,5	1	
3	894794	Support assy.	1	
4	893783	Driven clutch disc	8	
5	893784	Aluminium clutch drum	1	
6	893940	Clutch pressure plate	1	
7	893941	Bearing	1	
8	893777	Clutch spring	6	
9	893778	Spring seat	6	
10	893779	Hex socket screw M6	6	
11	893780	Driving clutch disc	2	
12	893942	Clutch disc	1	
13	893943	Spring	1	
14	893944	Seat judder spring	1	
15	893782	Driving clutch disc	7	
16	899483	Driven clutch disc	1	
17	899601	Pawl clutch	1	
18	893767	Nut	1	
19	B044365	Washer 31x44x0.9	2	
20	893769	Roller cage 35x40x35,8	1	
21	893770	Spacer	1	
22	894821	Oil pump gear Z=39	1	
23	893772	Washer 58x25x8	1	
24	B044474	Belleville spring sp.0,9	1	

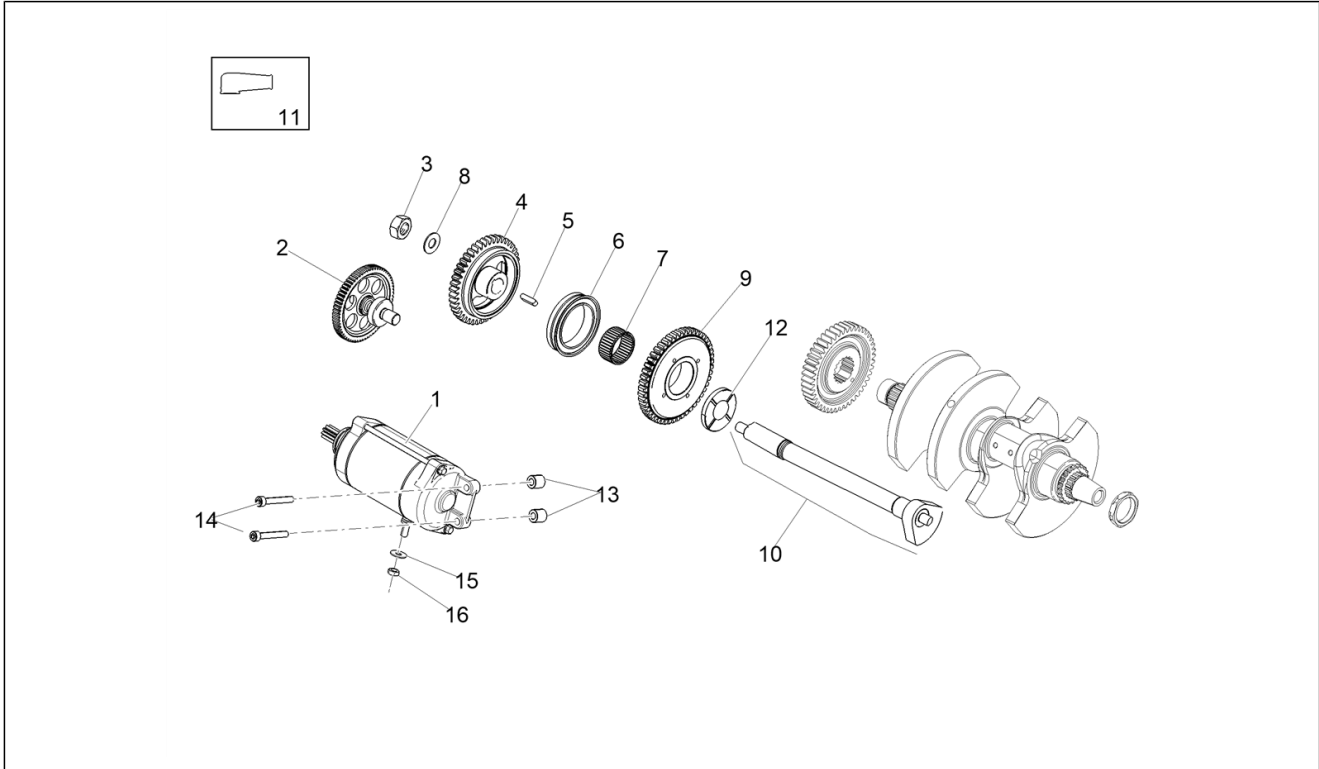


<b>Group</b>	Engine
<b>Code</b>	03.270
<b>Description</b>	Flywheel cover
<b>Service</b>	1



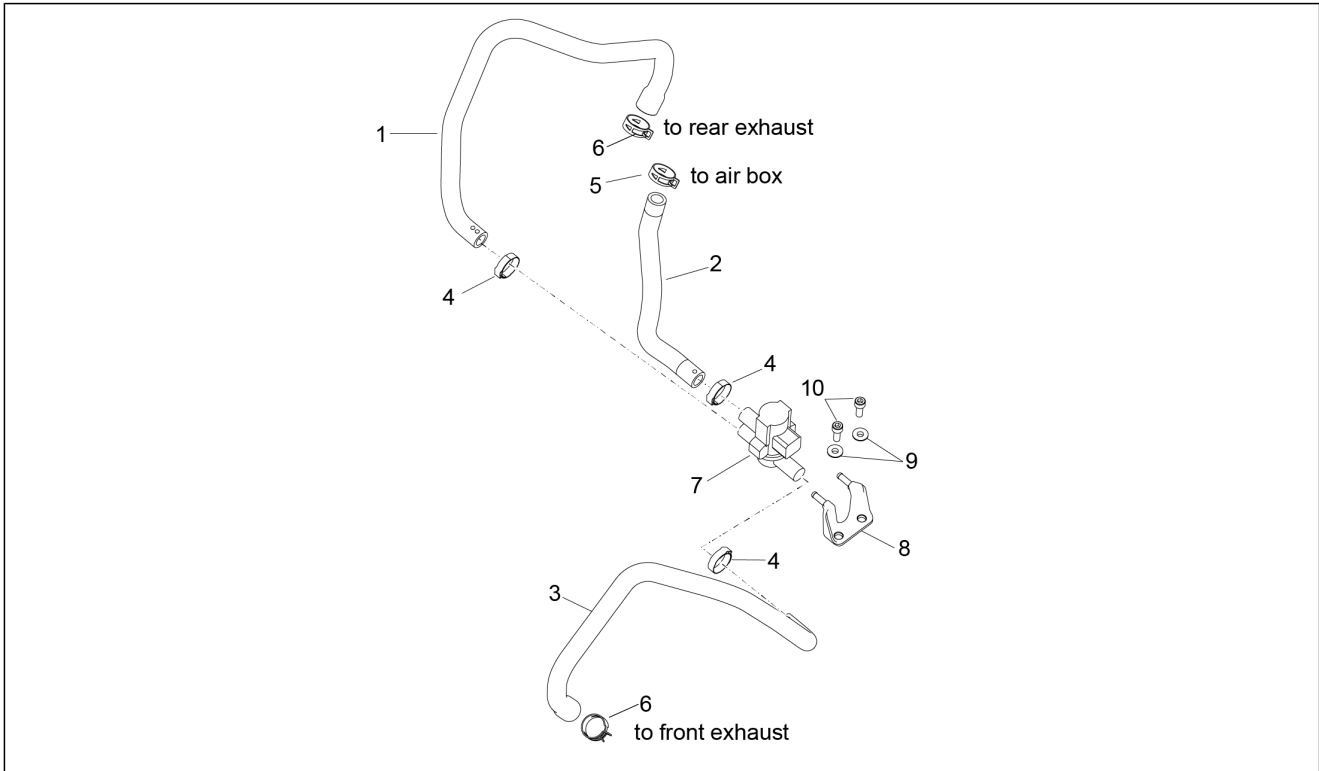
Pos.	Code	Description	Qty	Variants
1	1A002950	screw M5X14	1	
2	1A016340	Fixing plate	1	
3	1A015741	Flywheel cover	1	
4	898268	Oil seal 18x30x7	1	
5	857176	O-ring	1	
6	85746200XNB	Blow-by outlet Blow-by	1	
7	857048	screw M5x16	3	
8	871094	Screw w/ flange	2	
9	2A000034	Seal washer	2	
10	872117	Screw w/ flange	3	
11	1A009050	Special screw	3	
12	874555	Flanged hexagon screw M6x16	3	
13	411209	Locating dowel	1	
14	898269	Clearance washer	1	
15	006630	Snap ring	1	
16	1A007415	Cover soundproofing material	1	

<b>Group</b>	Engine
<b>Code</b>	03.290
<b>Description</b>	Starter / Electric starter
<b>Service</b>	1



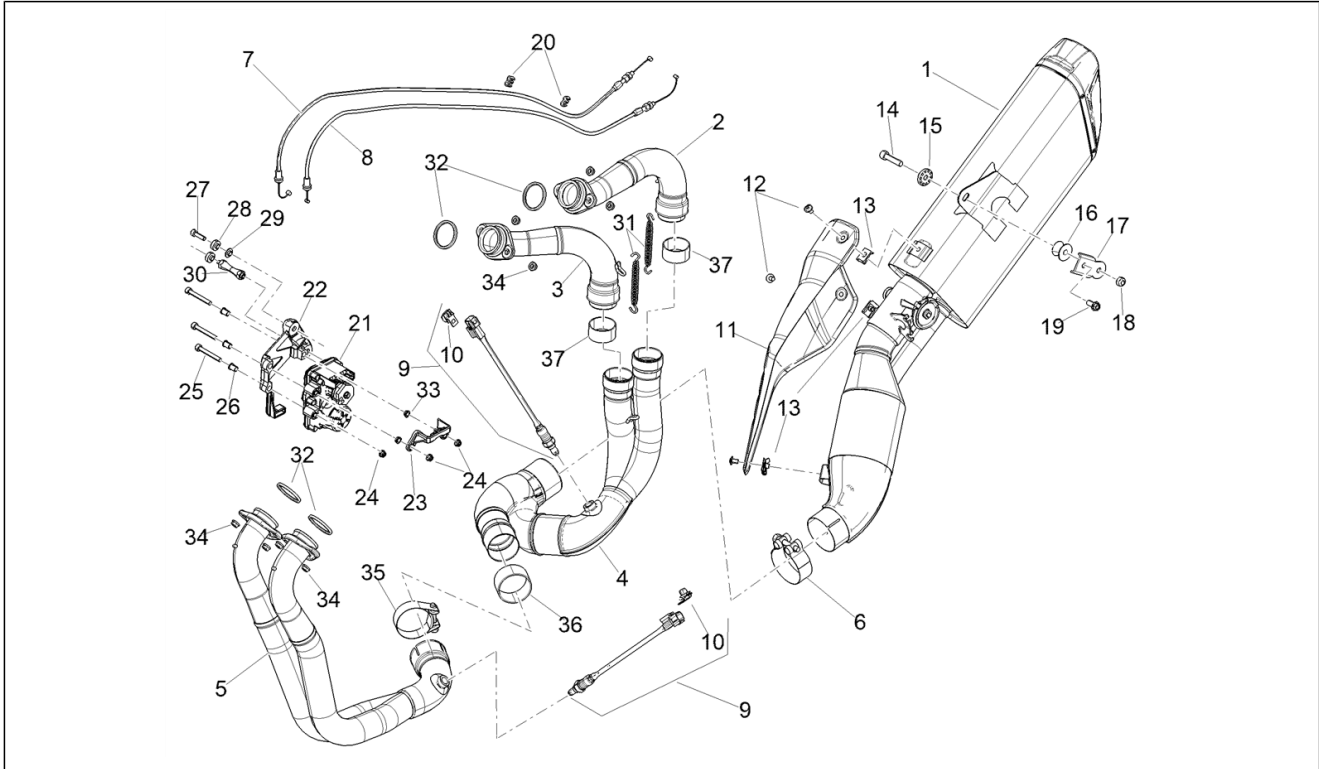
Pos.	Code	Description	Qty	Variants
1	B044495	Starter motor	1	
2	899769	Electric starter gear Z=11/64	1	
3	897434	Flanged nut M10x1	1	
4	2A000468	Jackshaft control gear	1	
5	857298	Tab	1	
6	1A008691	Sprag clutch	1	
7	857290	Roller cage 30X35X17	1	
8	235779	Washer	1	
9	899862	Sprag clutch gear Z=50	1	
10	2A000469	Balance shaft	1	
11	895316	Cap	1	
12	2A000547	Fifth wheel	1	
13	2A000313	Spacer	2	
14	AP8152003	Hex socket screw M6x40	2	
15	658830	Curved spring washer 6x12	1	
16	AP8152299	Self-locking nut M6	1	

<b>Group</b>	Engine
<b>Code</b>	03.320
<b>Description</b>	Secondary air
<b>Service</b>	1



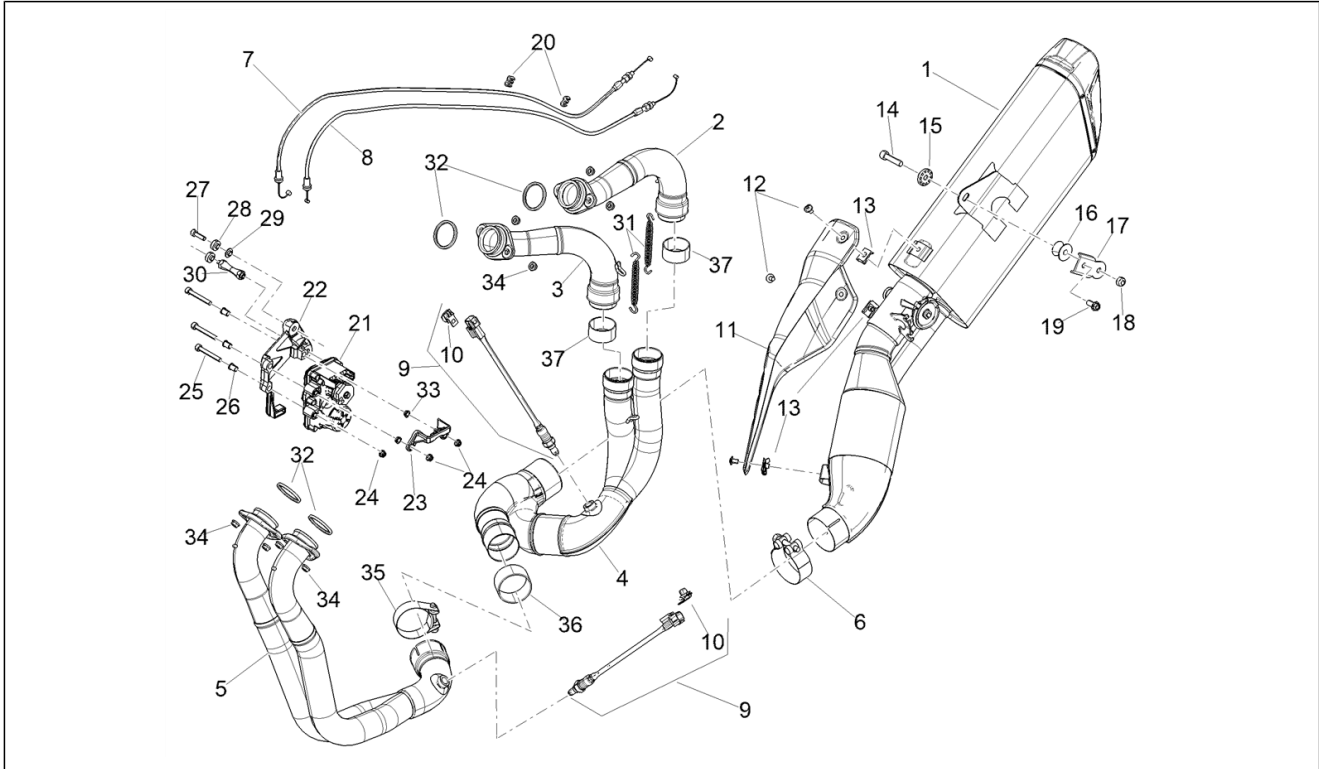
Pos.	Code	Description	Qty	Variants
1	856631	pipe	1	
2	856632	pipe	1	
3	856630	pipe	1	
4	CM001905	Hose clamp	3	
5	CM002916	Hose clamp	1	
6	CM225401	Hose clamp	2	
7	857181	SAS valve	1	
8	858727	Bracket	1	
9	AP8121032	Bush	2	
10	AP8150137	Hex socket screw M6x16	2	

<b>Group</b>	Engine
<b>Code</b>	03.330
<b>Description</b>	Silencer
<b>Service</b>	1



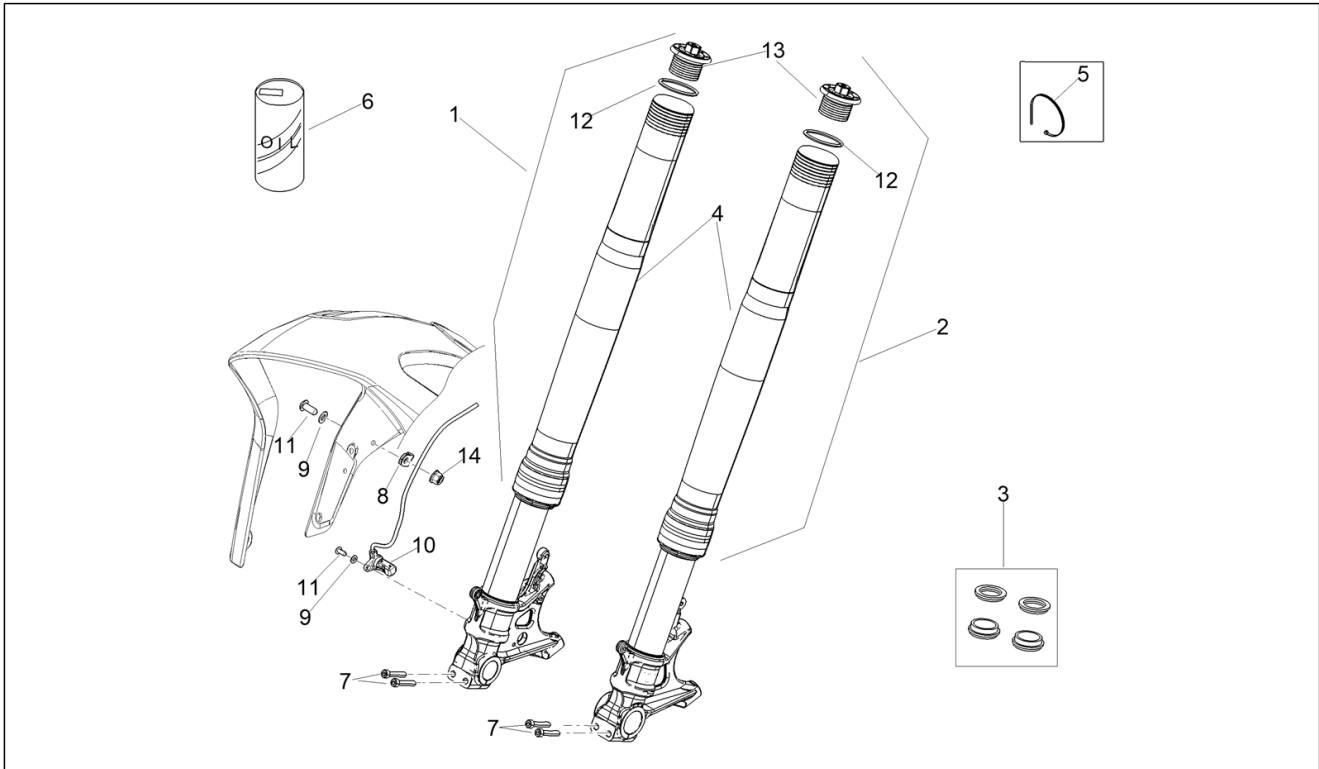
Pos.	Code	Description	Qty	Variants
1	2B006616	Exhaust silencer	1	
2	2B006940	RH rear manifold	1	
3	2B006941	LH rear manifold	1	
4	2B006938	Central manifold	8	
5	2B006939	Front. Exhaust pipe	4	
6	976521	Hose clamp	6	
7	2B007127	Exhaust valve opening cable	2	
8	2B007128	Exhaust valve closing cable	1	
9	1A014335	Lamda sensor	1	
10	1A015201	Clip	2	
11	2B007528	Silencer protection	1	
12	898385	Torx Screw M6x10	3	
13	254485	Spring plate M6	3	
14	AP8150236	Hex socket screw M8x35	1	
15	AP8121199	Bush	1	
16	2L002131	Spacer	1	
17	2L002133	Fixing bracket	1	
18	AP8150431	Low nut M8	1	
19	AP8152285	Flanged hexagon screw	1	
20	2B000276	Staple	2	
21	2D000263	Exhaust valve actuator	1	
22	2B003443	Valve support clamp	1	
23	2B003577	Cover support	1	
24	AP8150115	Low self-locking nut M6	3	
25	AP8150403	Hex socket screw M6x45	3	
26	GU91120607	Bushing 6,4x8,4x10,5	3	
27	AP8150044	Hex socket screw M6x20	2	
28	2B003714	Bush	2	

<b>Group</b>	Engine
<b>Code</b>	03.330
<b>Description</b>	Silencer
<b>Service</b>	1



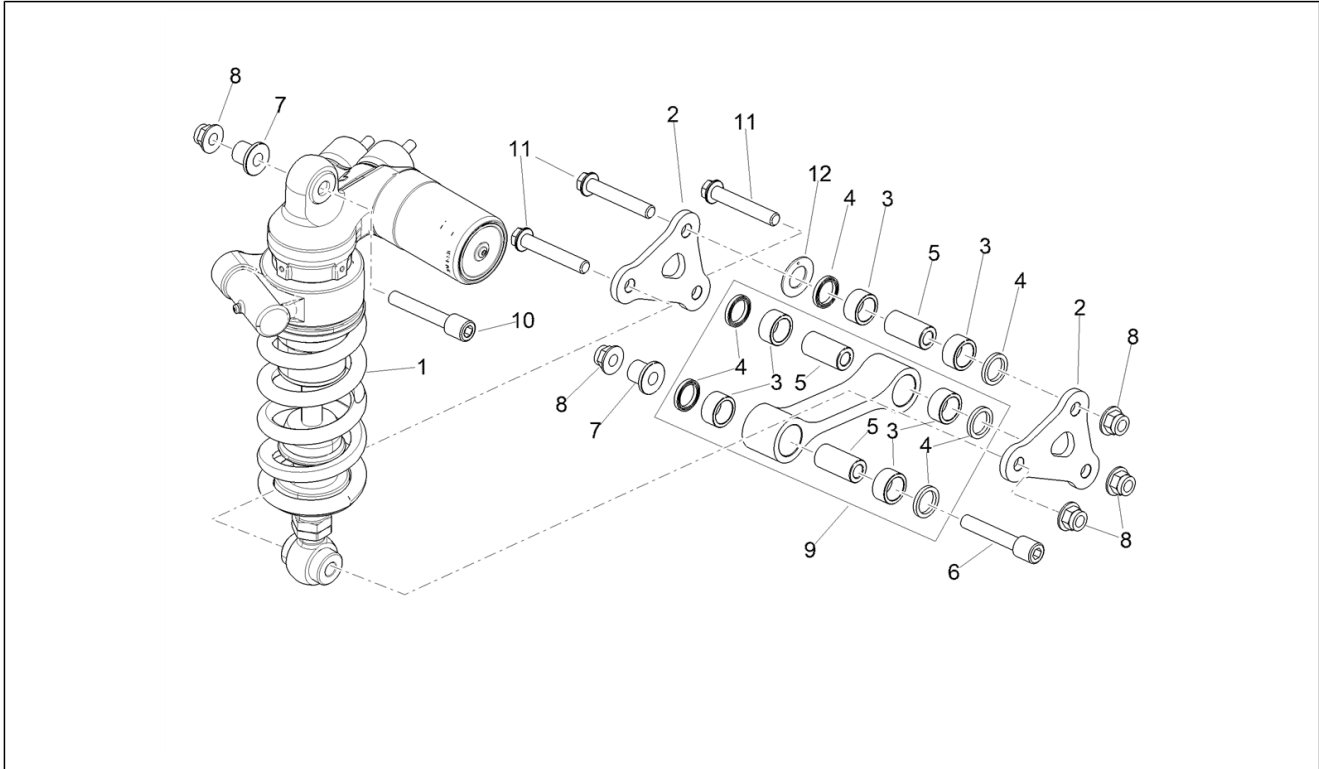
Pos.	Code	Description	Qty	Variants
29	AP8121032	Bush	1	
30	2B008110	Spacer	1	
31	AP8121170	Spring	2	
32	852090	Exhaust pipe gasket	4	
33	AP8121811	T bush	1	
34	436947	Flanged hexagon nut M7x1 H=8	8	
35	2B007623	Hose clamp Ø 51-55	1	
36	2B007148	Bushing	1	
37	2B007146	Gasket Wiremesh	1	

<b>Group</b>	Suspensions
<b>Code</b>	04.010
<b>Description</b>	Front fork Ohlins
<b>Service</b>	1



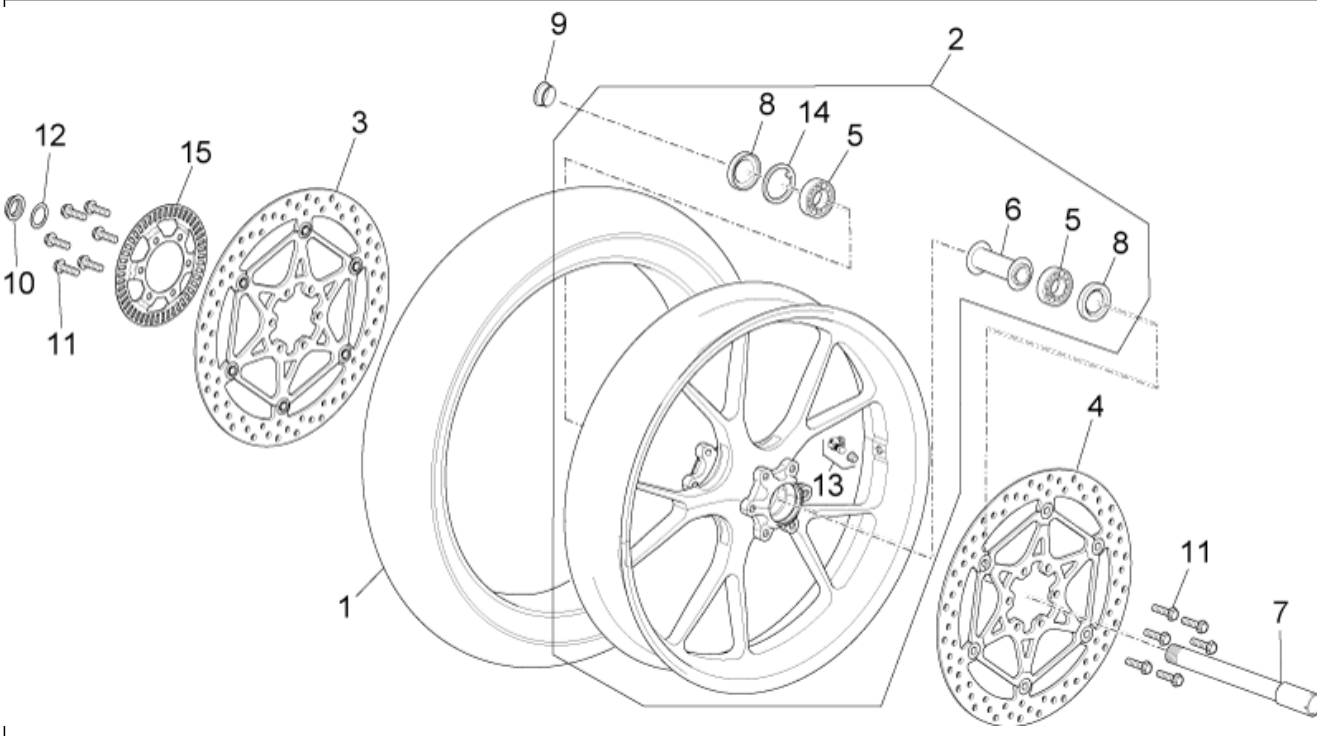
Pos.	Code	Description	Qty	Variants
1	2B006408	RH hub cpl.	1	
2	2B006409	LH hub cpl.	1	
3	2B006021	Engine set gasket	2	
4	2B006020	Sleeve cpl.	2	
5	AP8102386	Hose clamp 2,5x160	1	
6	AP8116071	Front fork oil 1 lt.	1	
7	2B006022	screw	1	
8	2B008558	Fastener cable	1	
9	895916	Plastic washer	2	
10	859792	ABS sensor	1	
11	581957	Hexagon convex big end screw	1	
12	2B005852	Ring	1	
13	2B006695	Fork tube cap	2	
14	2B008790	Self-locking nut M4	1	

<b>Group</b>	Suspensions
<b>Code</b>	04.080
<b>Description</b>	Shock absorber
<b>Service</b>	1



Pos.	Code	Description	Qty	Variants
1	2B006407	Rear shock absorber	1	
2	2B003744	Double conrod	2	
3	AP8110065	Drawn cap	4	
4	AP8110068	Oil seal D18x24x3	4	
5	AP8146518	Piston pin L=36	3	
6	AP8152412	Hex socket screw M10x72	1	
7	AP8121155	T bush *	2	
8	AP8152301	Self-locking nut	5	
9	AP8146516	Single conrod comp.	1	
10	AP8152411	Hex socket screw M10x59	1	
11	AP8152413	Screw w/ flange M10x61	3	
12	2B010047		1	

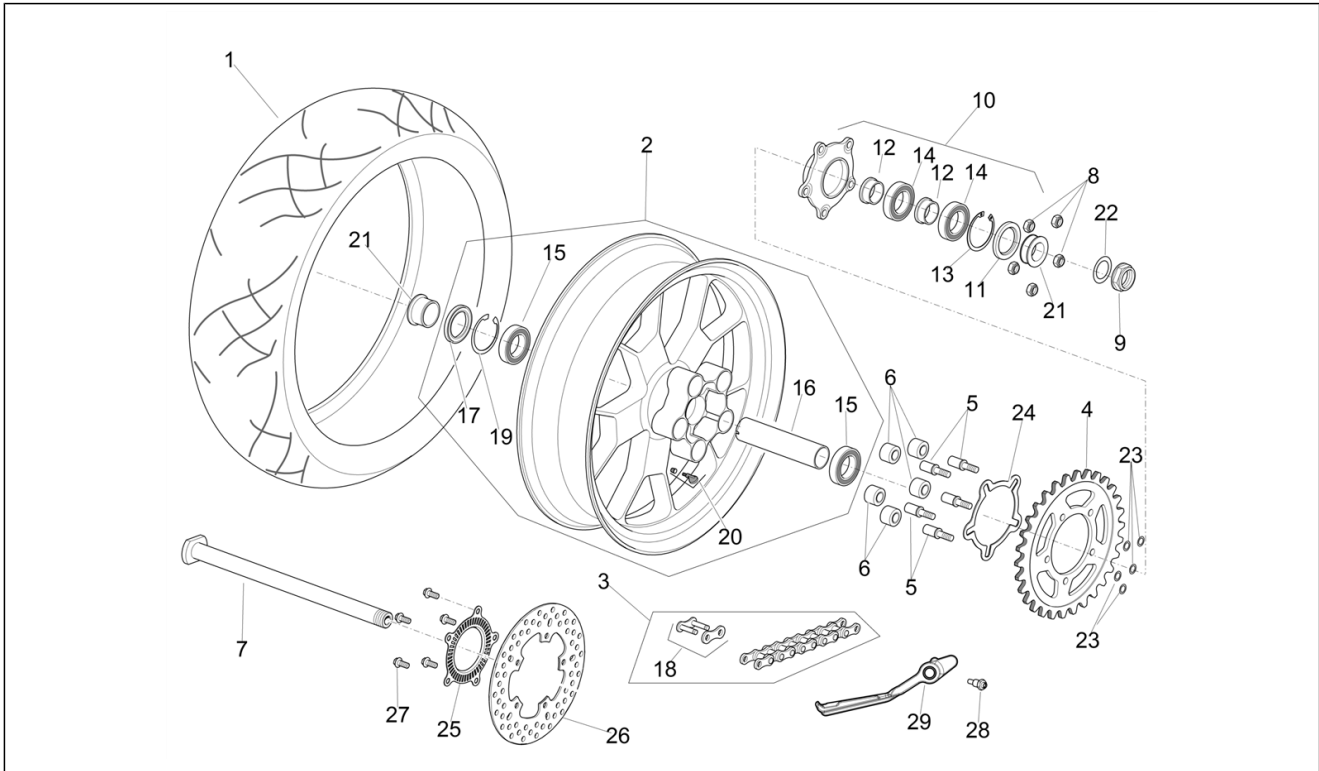
<b>Group</b>	Wheels
<b>Code</b>	05.010
<b>Description</b>	Front wheel
<b>Service</b>	1



Pos.	Code	Description	Qty	Variants
1	2B006862	(Pirelli) Front tyre	1	
1	897596	Front/rear tyre 120/70-17" M/C (58W)	1	
2	2B002032	Complete front wheel 3.50x17" Red	1	Colour:Speed white[Q4]
2	2B010009	3.50 X 17	1	Colour:Ultra Dark[Dark]
2	894846	Front wheel	1	Colour:Time Attack[INV]
3	2B001135	RH front brake disc D.330	1	
4	2B001136	LH front brake disc D.330	1	
5	AP8110094	Bearing 25x47x12	2	
6	AP8125843	Internal spacer	1	
7	2B008946	Front wheel spindle	1	
8	AP8125841	Oil seal 30x47x7	2	
9	AP8125728	Front RH whe.ou.spacer	1	
10	AP8152335	Wheel spindle nut	1	
11	AP8152286	Screw w/ flange M8x20	12	
12	AP8152323	Washer 25,2x36x1	1	
13	AP8104728	Tubeless tyre valve 90°	1	
14	AP8125842	Snap ring d47	1	
15	2B003169	Phonic wheel	1	

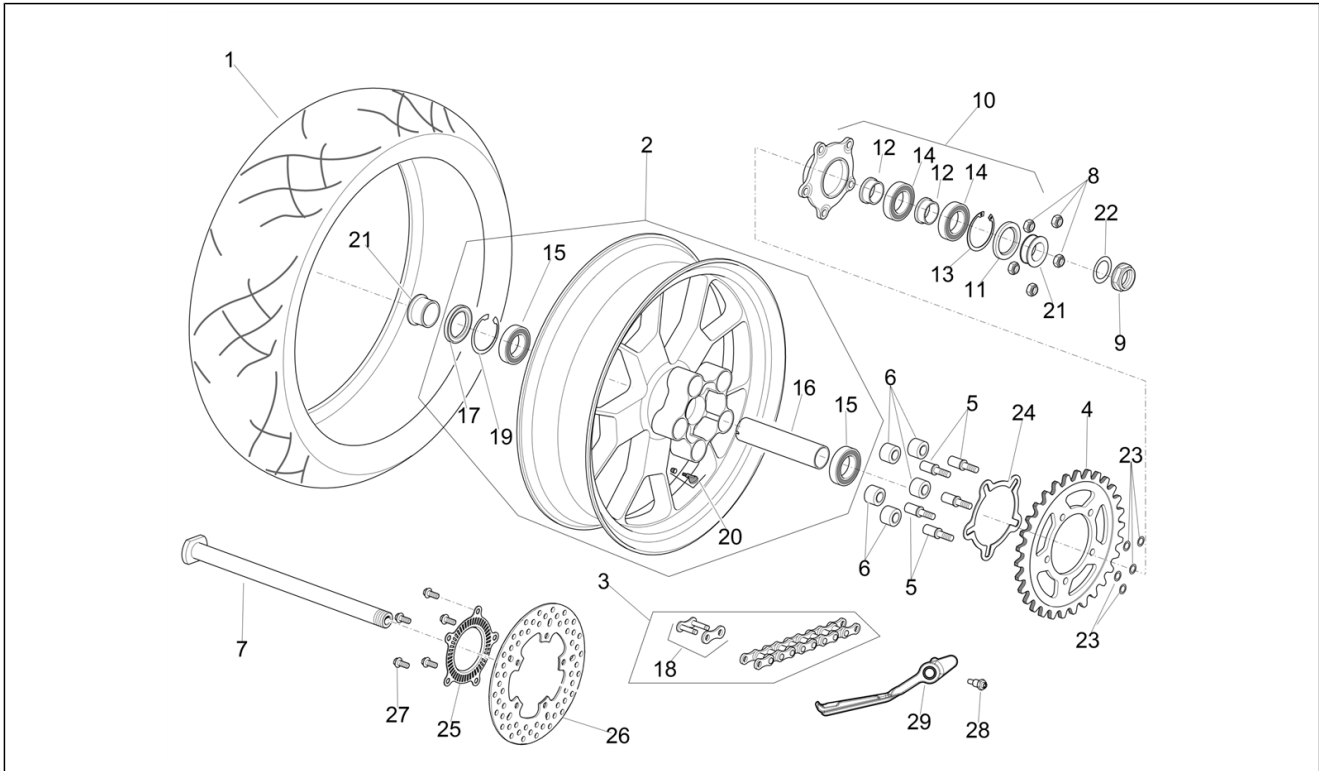


<b>Group</b>	Wheels
<b>Code</b>	05.020
<b>Description</b>	Rear wheel
<b>Service</b>	1



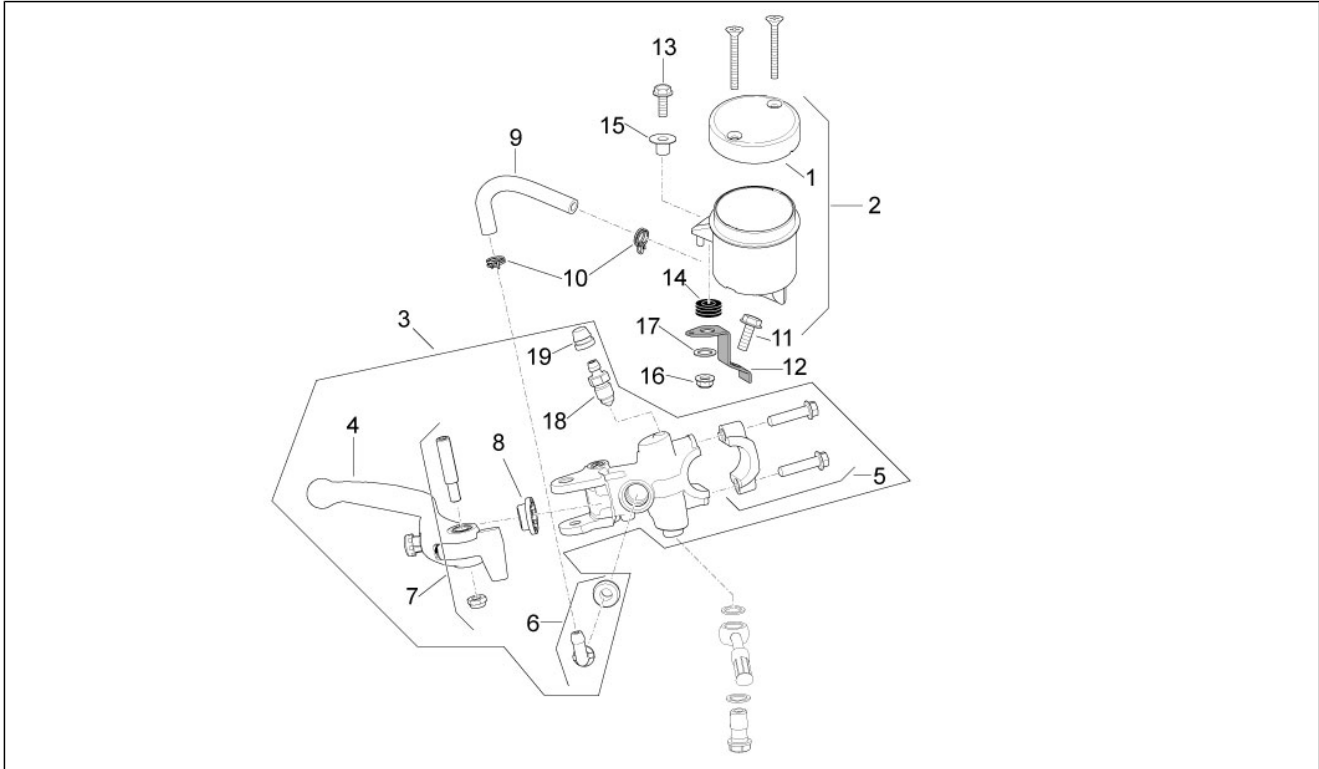
Pos.	Code	Description	Qty	Variants
1	2B006863	Rear tyre 200/55 R17 M/C TL (78W)	1	
1	897367	Rear tyre 200/55-17" M/C	1	
2	2B006304	Rear wheel	1	Colour:Speed white[Q4]
2	2B010005	Rear wheel	1	Colour:Ultra Dark[Dark]
2	2B006302	Rear wheel	1	Colour:Time Attack[INV]
3	896358	Chain cpl conn.link	1	
4	CM224906	Chain ring Z=41	1	
5	2B006746	cushion	5	
6	B043317	Flexible coupling rubber	5	
7	858731	Rear wheel spindle	1	
8	2B002634	DAX nut M10x1,25	5	
9	AP8152324	Wheel spindle nut M25x1,5	1	
10	AP8125730	Crown holder cpl.	1	
11	AP8121213	Oil seal 38x55x7	1	
12	AP8125732	Spring drive spacer	2	
13	AP8121212	Inside circlip d55	1	
14	AP8110081	Bearing 30x55x13	2	
15	AP8110093	Bearing 6205-2rs1 25x52x15	2	
16	AP8176101	Internal spacer	1	
17	AP8125838	Oil seal 38x52x7	1	
18	859754	Connecting link	1	
19	AP8125839	Snap ring d52	1	
20	AP8104728	Tubeless tyre valve 90°	1	
21	AP8121592	Rear wheel spacer	2	
22	AP8152323	Washer 25,2x36x1	1	
23	2B002634	DAX nut M10x1,25	5	
24	2B008446	ABS phonic wheel	1	Colour:Ultra Dark[Dark]
24	2B003043	Flange	1	Colour:Time Attack[INV] Speed white[Q4]

<b>Group</b>	Wheels
<b>Code</b>	05.020
<b>Description</b>	Rear wheel
<b>Service</b>	1



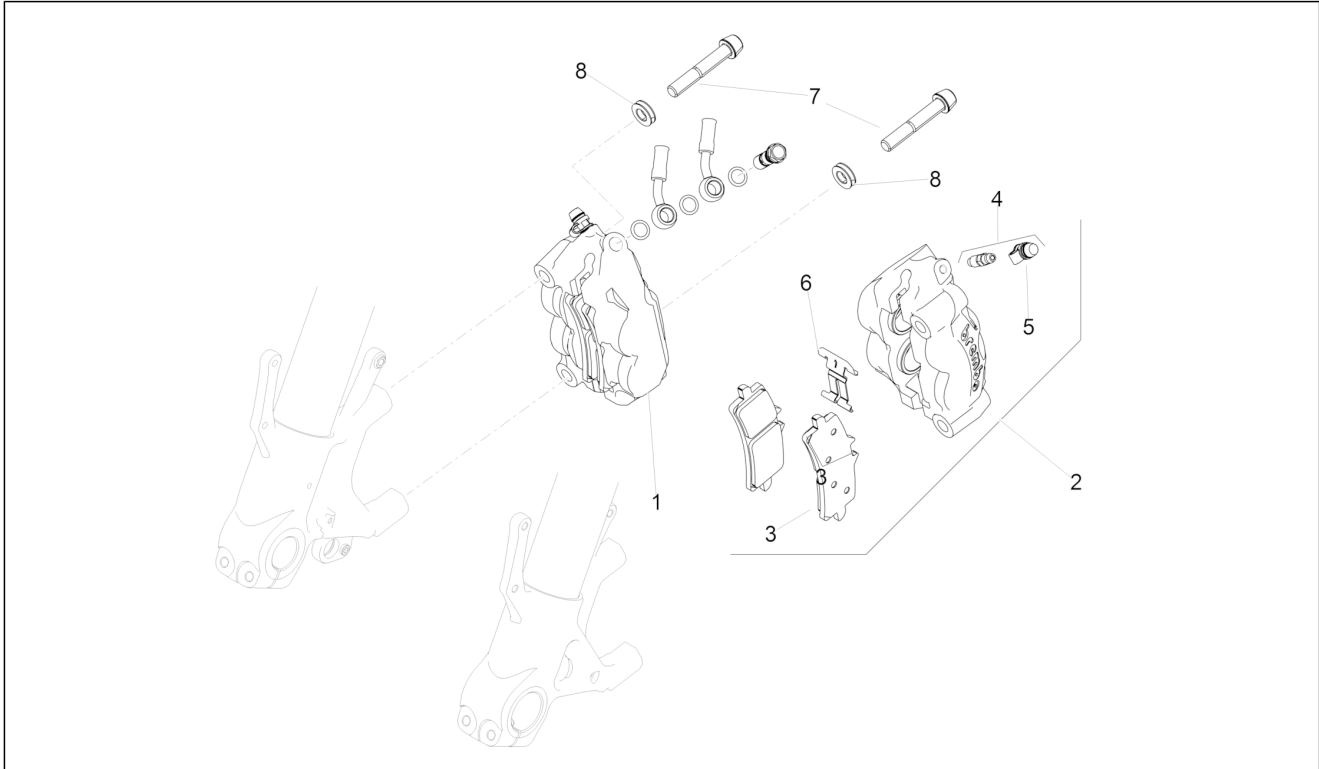
Pos.	Code	Description	Qty	Variants
25	2B008446	ABS phonic wheel	1	
26	85248R	Brake disc	1	
27	2B002416	Screw w/ flange M8x20	5	
28	2B001932	Spacer	1	
29	2B001909	Lower chain slide brake pad	1	

<b>Group</b>	Braking system
<b>Code</b>	06.010
<b>Description</b>	Front master cilinder
<b>Service</b>	1



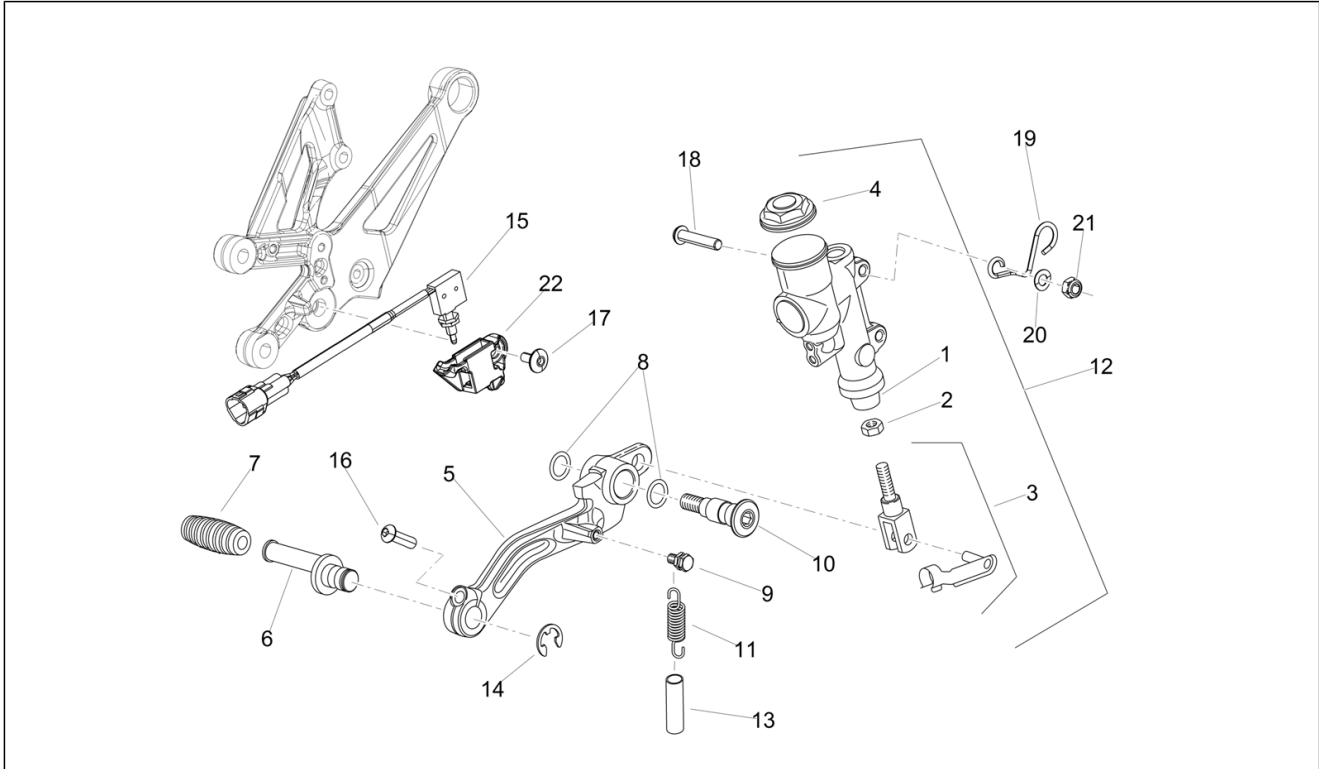
Pos.	Code	Description	Qty	Variants
1	2B007234	Pil brake tank plug	1	
2	2B007235	Brake oil tank	1	
3	2B007070	Fr. brake master cylinder	1	
4	2B007071	Brake lever	1	
5	2B007077	U-bolt	1	
6	AP8213057	Rear brake pump union	1	
7	AP8133666	Lever pin	1	
8	2B007074	Dust guard	1	
9	AP8125921	Rubber pipe	1	
10	AP8101595	Hose clamp D10,1	2	
11	AP8150340	Hex socket screw M6X12	1	
12	AP8134383	Oil tank plate	1	
13	AP8152137	Hex socket screw M6x20 Z.N.	1	
14	AP8120030	Rubber spacer	1	
15	AP8221023	T bush	1	
16	AP8150474	Stainless cap nut M6	1	
17	658830	Curved spring washer 6x12	1	
18	AP8133502	Air bleed valve	1	
19	AP8113230	Bleed valve cap	1	

<b>Group</b>	Braking system
<b>Code</b>	06.020
<b>Description</b>	Front brake caliper
<b>Service</b>	1



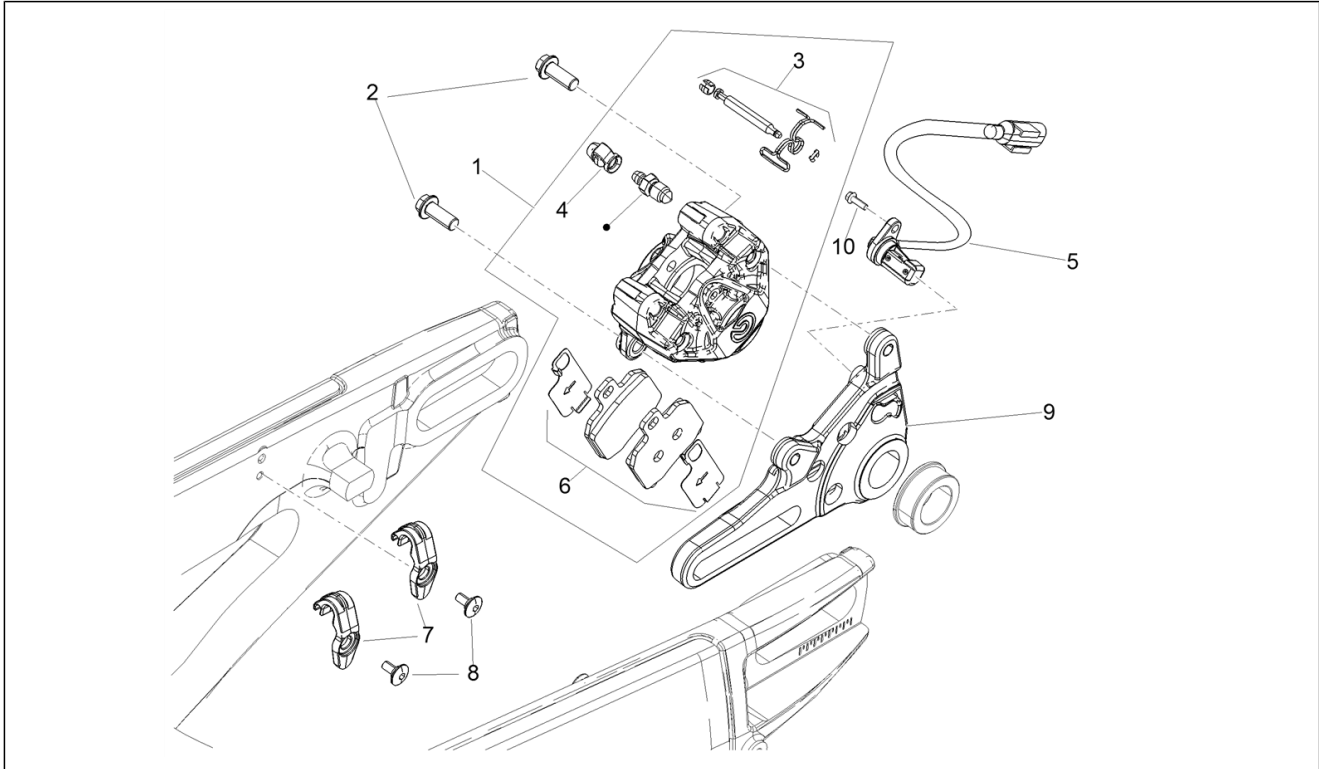
Pos.	Code	Description	Qty	Variants
1	2B007860	Front right brake calliper	1	
2	2B007861	Front left brake calliper	1	
3	2B005395	Brake pads couple	2	
4	AP8133824	Air bleed valve	2	
5	AP8113230	Bleed valve cap	2	
6	2B005522	Spring	2	
7	2B005564	Screw M10x1,25x55	4	
8	2B003247	Spacer	4	

<b>Group</b>	Braking system
<b>Code</b>	06.030
<b>Description</b>	Rear master cylinder
<b>Service</b>	1



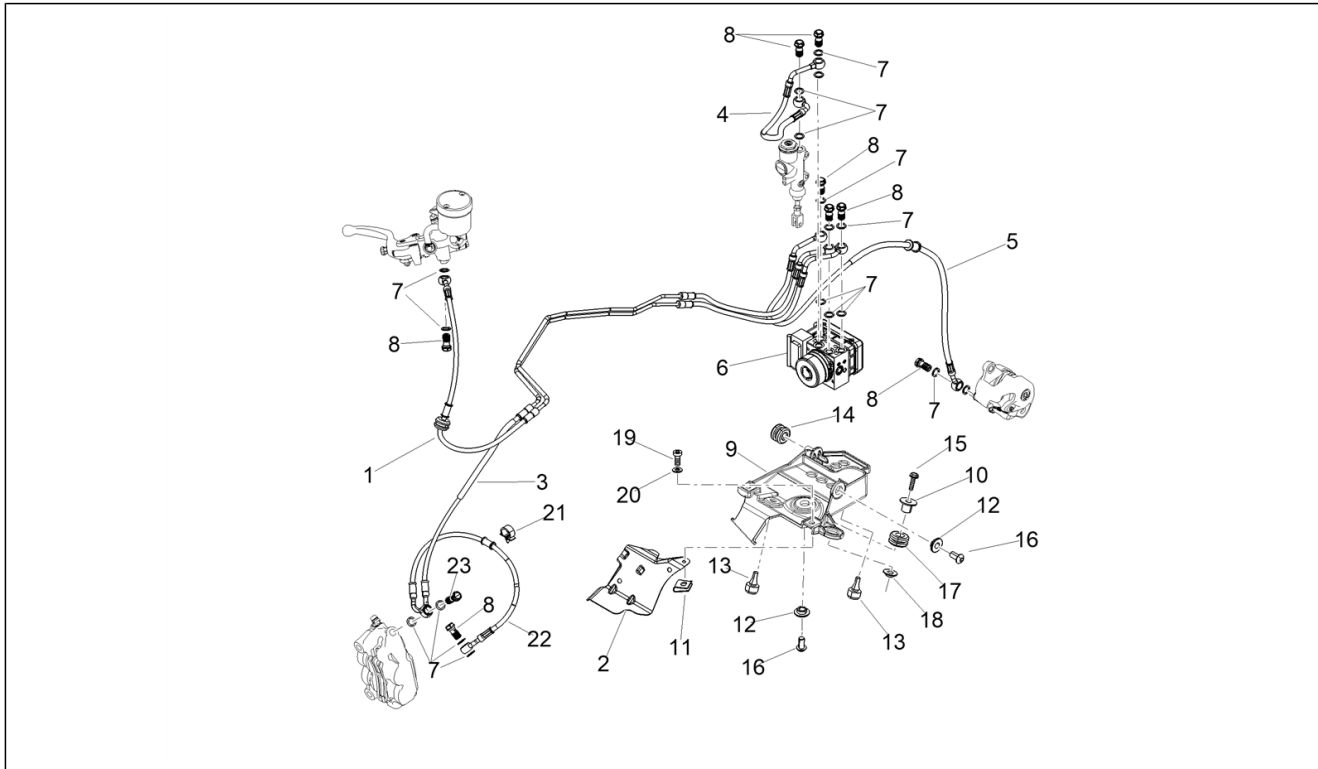
Pos.	Code	Description	Qty	Variants
1	893933	Rubber bellows	1	
2	020006	Nut	1	
3	898694	Push rod set	1	
4	898695	Plug	1	
5	858785	Rear brake lever	1	
6	AP8121221	Brake lever pin	1	
7	AP8120912	Lever rubber	1	
8	AP8144007	O-ring 11,11x1,78	2	
9	859946	Fixing pin	1	
10	AP8121223	Rear brake lever pin	1	
11	893138	Spring	1	
12	B044586	Rear master cylinder	1	
13	AP8120822	Silent block, spring	1	
14	AP8150462	Circlip d9	1	
15	2D000325	Stop/clutch switch	1	
16	AP8224470	Hex socket screw M6x20 inox	1	
17	AP8150500	Hex socket screw M5x9 NERINOX	1	
18	GU98370630	Hex socket screw M6x30	1	
19	AP8221206	Helmet holder hook	1	
20	658830	Curved spring washer 6x12	1	
21	AP8150430	Low self-locking nut	1	
22	2B003519	switch mount	1	

<b>Group</b>	Braking system
<b>Code</b>	06.040
<b>Description</b>	Rear brake caliper
<b>Service</b>	1



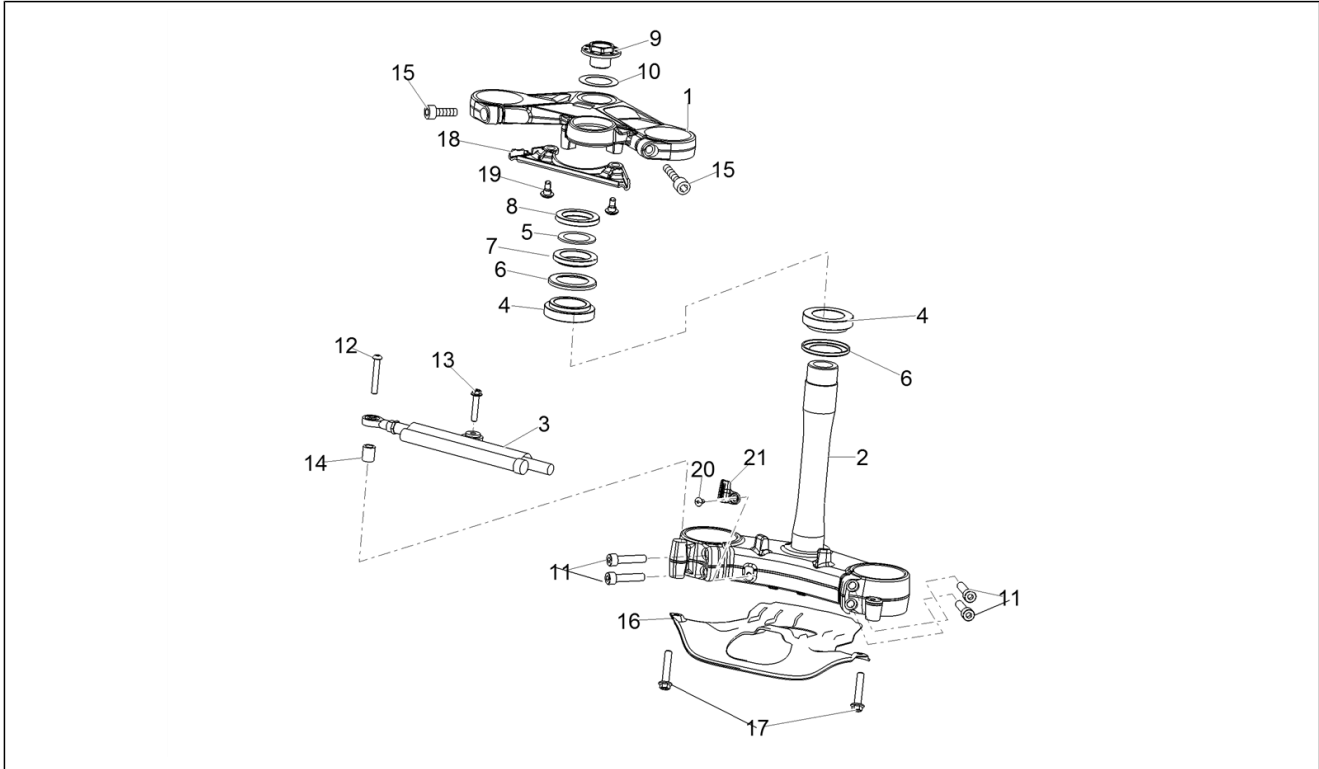
Pos.	Code	Description	Qty	Variants
1	2B007702	Rear brake caliper	1	
2	AP8152137	[...]	1	
3	AP8113752	Pin+split pin	1	
4	AP8113070	Bleed valve cap	1	
5	859792	ABS sensor	1	
6	893969	Pads pair	1	
7	2B006935	Fairlead	2	
8	AP8150500	Hex socket screw M5x9 NERINOX	2	
9	2B006758	Rear caliper support bracket	1	
10	AP8152273	Screw w/ flange M5x15	1	

<b>Group</b>	Braking system
<b>Code</b>	06.050
<b>Description</b>	ABS Brake system
<b>Service</b>	1



Pos.	Code	Description	Qty	Variants
1	2B003507	Front brake pipe pump-Hecu ABS	1	
2	B045095	Protection	1	
3	2B005397	Front brake pipe Hecu ABS-clamp	1	
4	2B003508	Rear brake pipe pump-Hecu ABS	1	
5	2B006783	Brake calliper-HECU pipe	1	
6	2D000589	ABS electrohydraulic unit, prefilled	1	
7	AP8121915	Gasket	19	
8	2B001983	Oil pipe screw	8	
9	B044551	ABS control unit support	1	
10	AP8221023	T bush	1	
11	AP8102381	Spring plate M4	1	
12	AP9100053	Bush d.10-h.3,5	2	
13	AP8706087	Rubber spacer	1	
14	AP8120223	Rubber spacer *	1	
15	AP8152275	Screw w/ flange M5x25	1	
16	AP8152186	Hex socket screw M6x12	2	
17	AP8120030	Rubber spacer	1	
18	AP8121032	Bush	1	
19	AP8152043	Countersunk cylindrical hex head screw M4x10	1	
20	AP8150011	Washer 4,3x12x1	1	
21	231590	Elastic spring L.17 mm	1	
22	2B005398	Front brake pipe clamp-clamp	1	
23	B044594	Dual brake pipe screw	1	

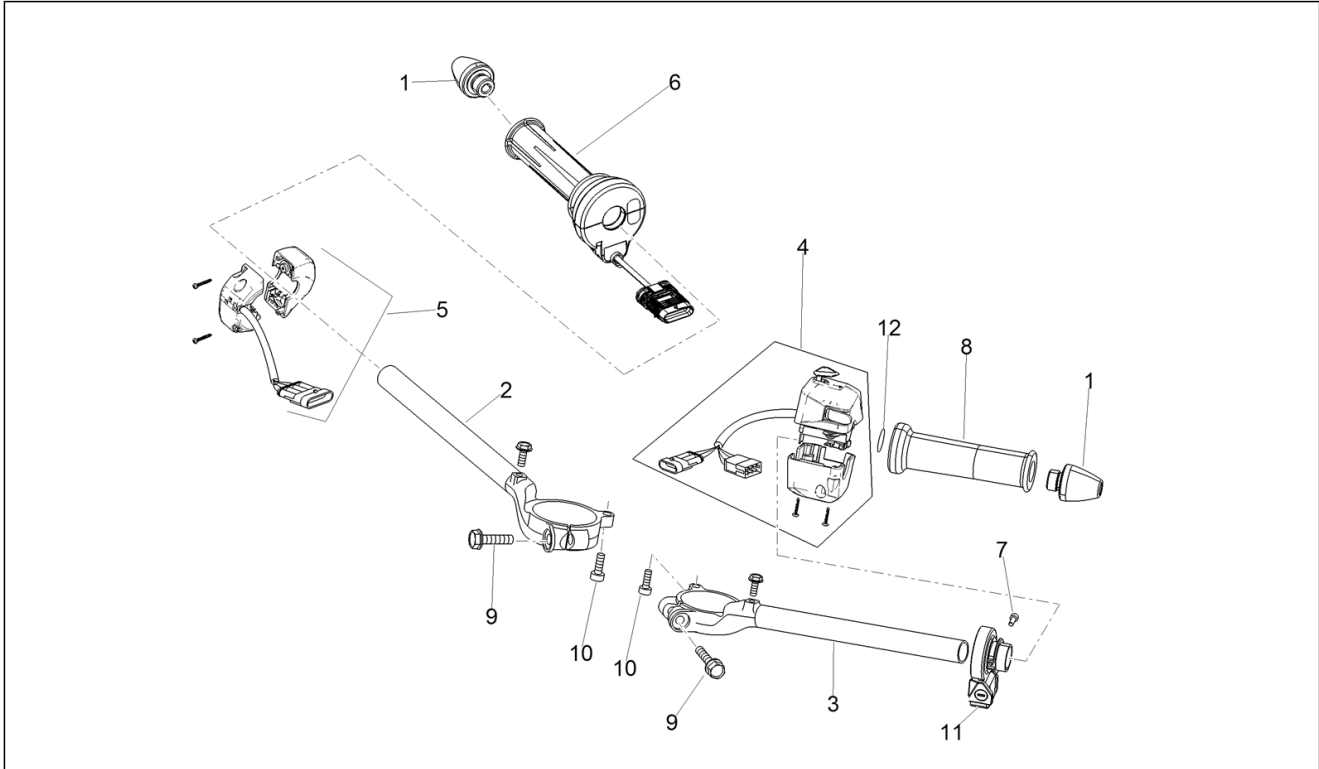
<b>Group</b>	Handlebar - Controls
<b>Code</b>	07.010
<b>Description</b>	Steering
<b>Service</b>	1



Pos.	Code	Description	Qty	Variants
1	2B0066075	Fork upper plate	1	
2	2B005929	Lower plate	1	
3	2B006406	Steering shock absorber	1	
4	AP8110077	Axial ball bearing	2	
5	AP8121207	Steering security plate	1	
6	AP8123641	Dust cover ring	2	
7	AP8123642	Ring nut	1	
8	AP8123643	Return ring nut	1	
9	AP8163170	Upper plate fixing bush	1	
10	AP8152442	Stem plug washer	1	
11	AP8150236	Hex socket screw M8x35	4	
12	1A011120	Flanged hexagon screw M6x40	1	
13	AP8150220	Hex socket screw M6x30	1	
14	876413	Spacer	1	
15	AP8150540	Screw	2	
16	2B005955	Front fork lower closing	1	
17	AP8152277	Flanged hexagon screw M6x12	2	
18	2B006608	Steering yoke cover	1	
19	2B003422	M5x12 pre-coated countersunk hex head Torx screw	2	
20	AP8150500	Hex socket screw M5x9 NERINOX	1	
21	2B008388	Pipe support	1	

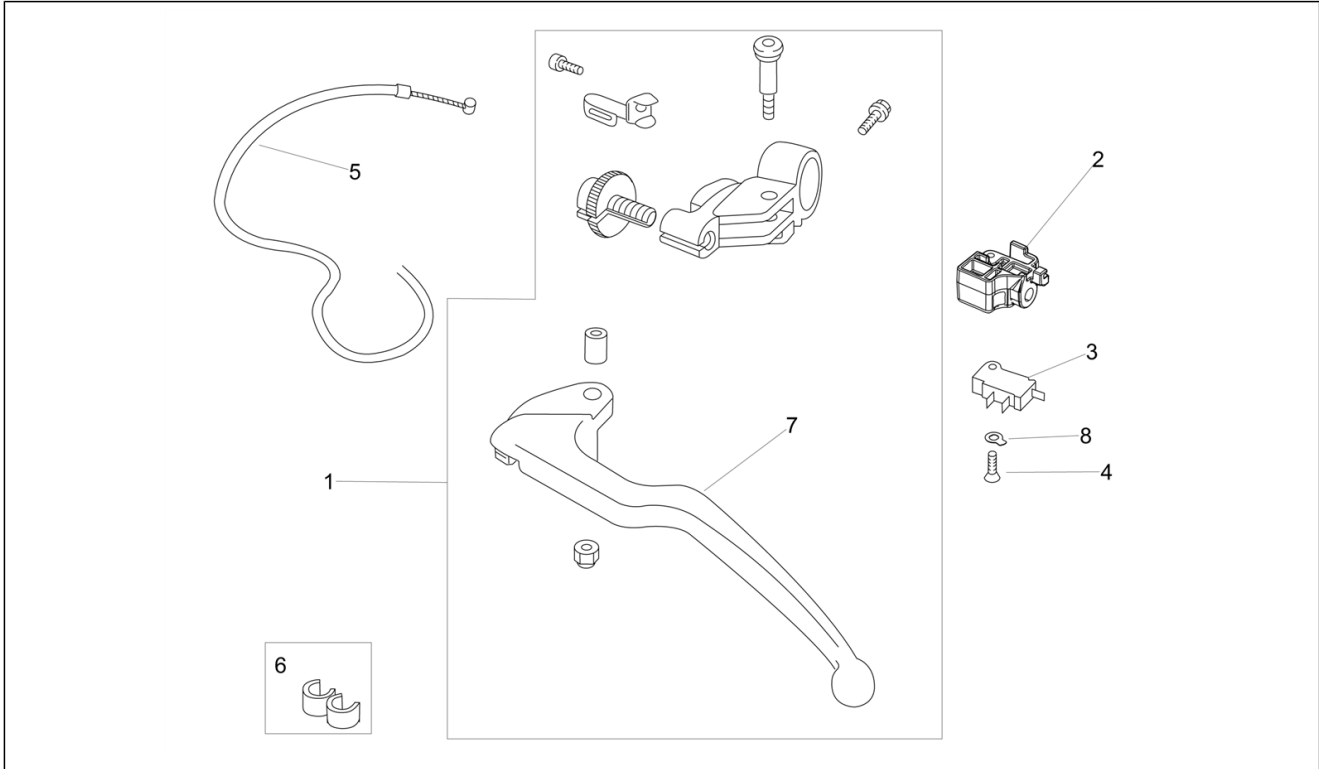


<b>Group</b>	Handlebar - Controls
<b>Code</b>	07.020
<b>Description</b>	Handlebar - Controls
<b>Service</b>	1



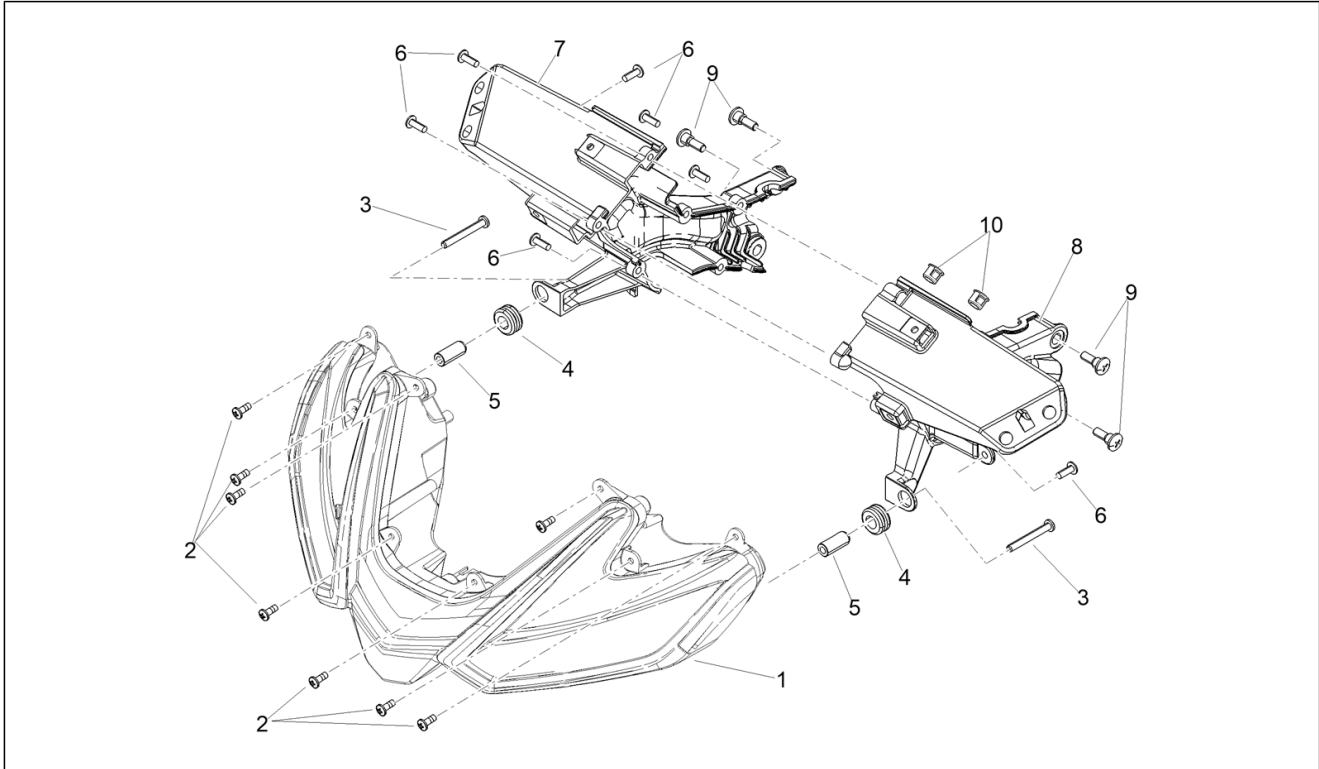
Pos.	Code	Description	Qty	Variants
1	2B005874	H.bars anti.v weight	2	
2	2B0069525	Right half handlebar	1	
3	2B0069535	Left half handlebar	1	
4	2D000548	LH lights selector	1	
5	2D000551	RH lights selector	1	<b>Technical Specification:Not DRL[NO DRL]</b>
5	2D000550	RH lights selector	1	
6	2D000095	Electronic gas control	1	
7	AP8152043	Countersunk cylindrical hex head screw M4x10	1	
8	856027	LH hand grip	1	
9	AP8150543	Screw M8x35	2	
10	AP8150137	Hex socket screw M6x16	2	
11	2B003974	Cylindrical screw	2	
11	852398	Selector control bracket	1	
12	AP8120190	O-ring 3075	1	

<b>Group</b>	Handlebar - Controls
<b>Code</b>	07.030
<b>Description</b>	Clutch control
<b>Service</b>	1



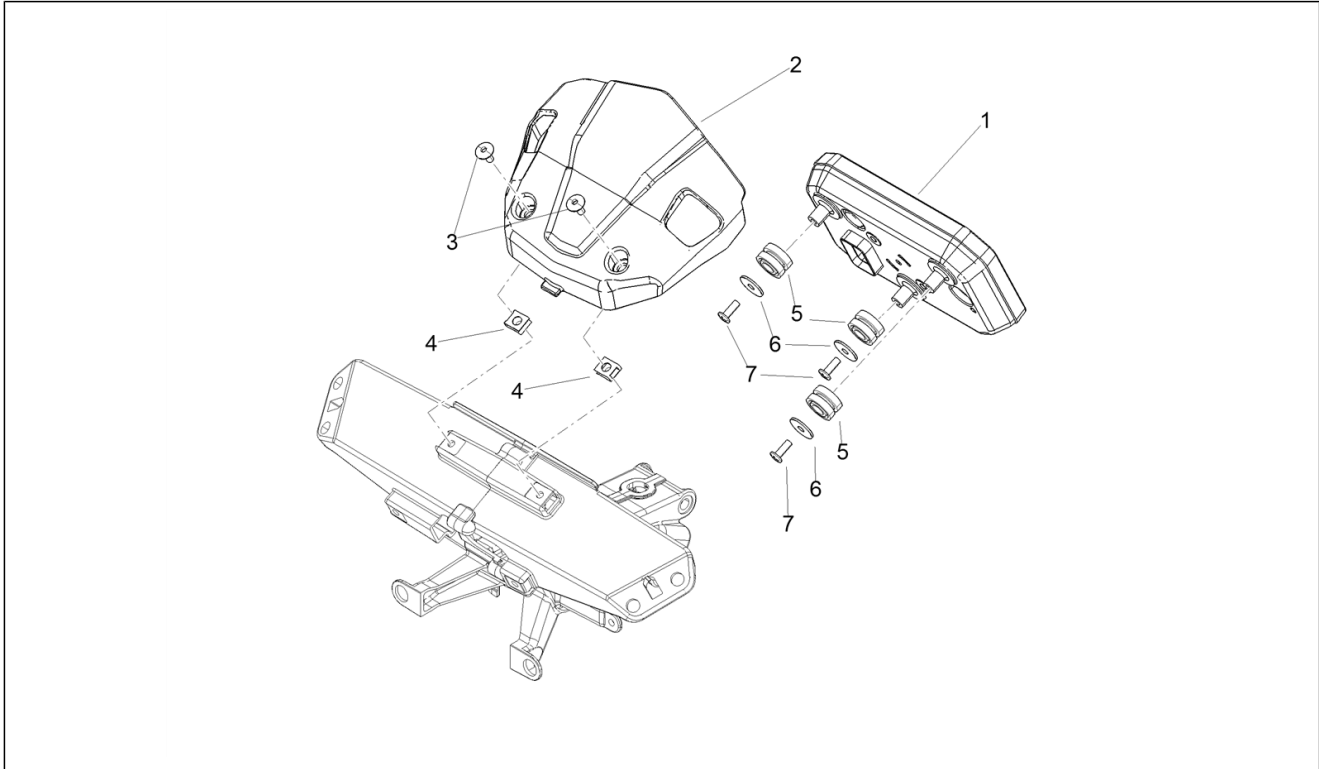
Pos.	Code	Description	Qty	Variants
1	2B003552	Clutch lever cpl.	1	
2	2B008238	Switch support	1	
3	2D000325	Stop/clutch switch	1	
4	291051	screw M3x12	1	
5	890982	Clutch cable	1	
6	AP9100519	Spring	1	
7	893926	Clutch lever	1	
8	2B004481	Safety washer	1	

<b>Group</b>	Lights - Instruments
<b>Code</b>	08.010
<b>Description</b>	Front headlamps
<b>Service</b>	1



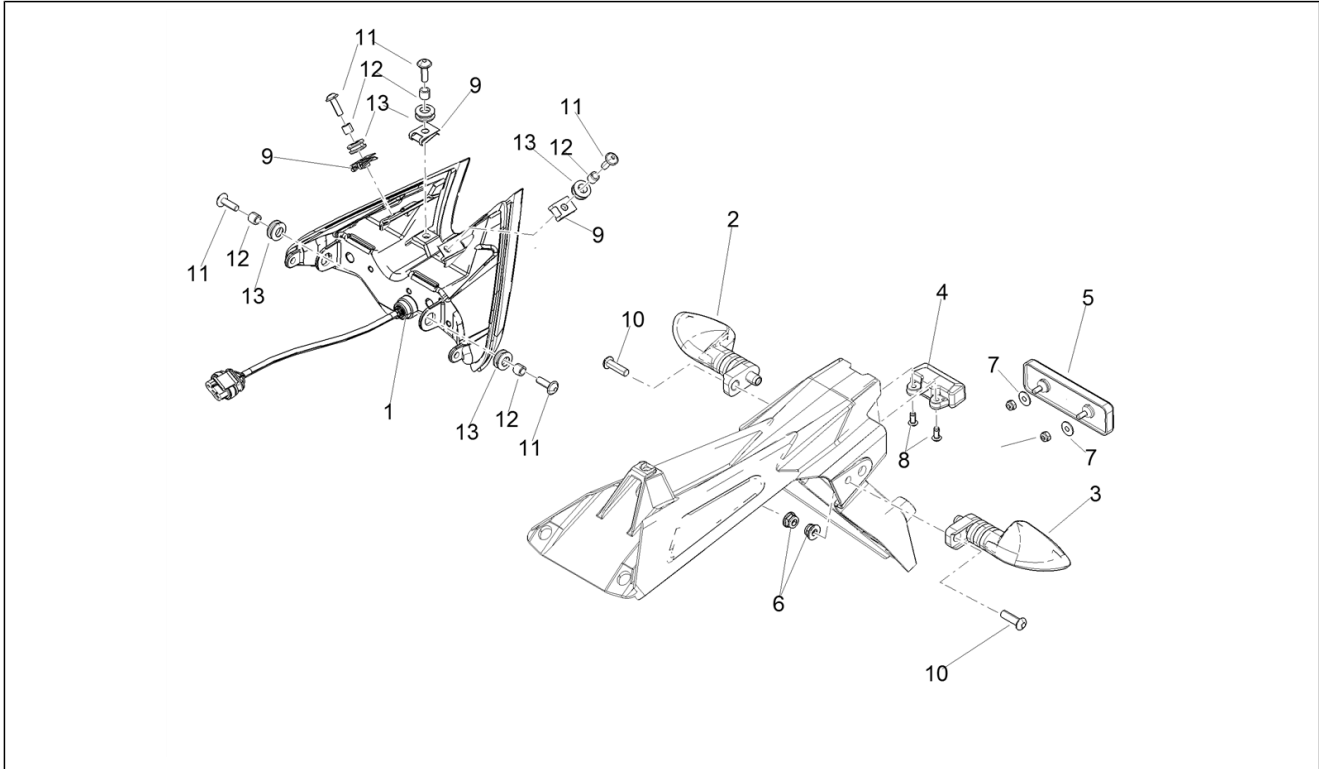
Pos.	Code	Description	Qty	Variants
1	2D000465	Headlight	1	
2	AP8152270	Hex socket screw M5x25	8	
3	898394	Self tapping screw	1	
4	AP8120030	Rubber spacer	2	
5	2B008278	Bushing	2	
6	AP8150509	Self-tap screw 5x14	8	
7	2B007191	RH headlight supp.	1	
8	2B007192	LH headlight supp.	1	
9	CM179201	Torx head cylinder head screw M6x22	4	
10	2B009702	Cover Ø8	1	

<b>Group</b>	Lights - Instruments
<b>Code</b>	08.020
<b>Description</b>	Instruments
<b>Service</b>	1



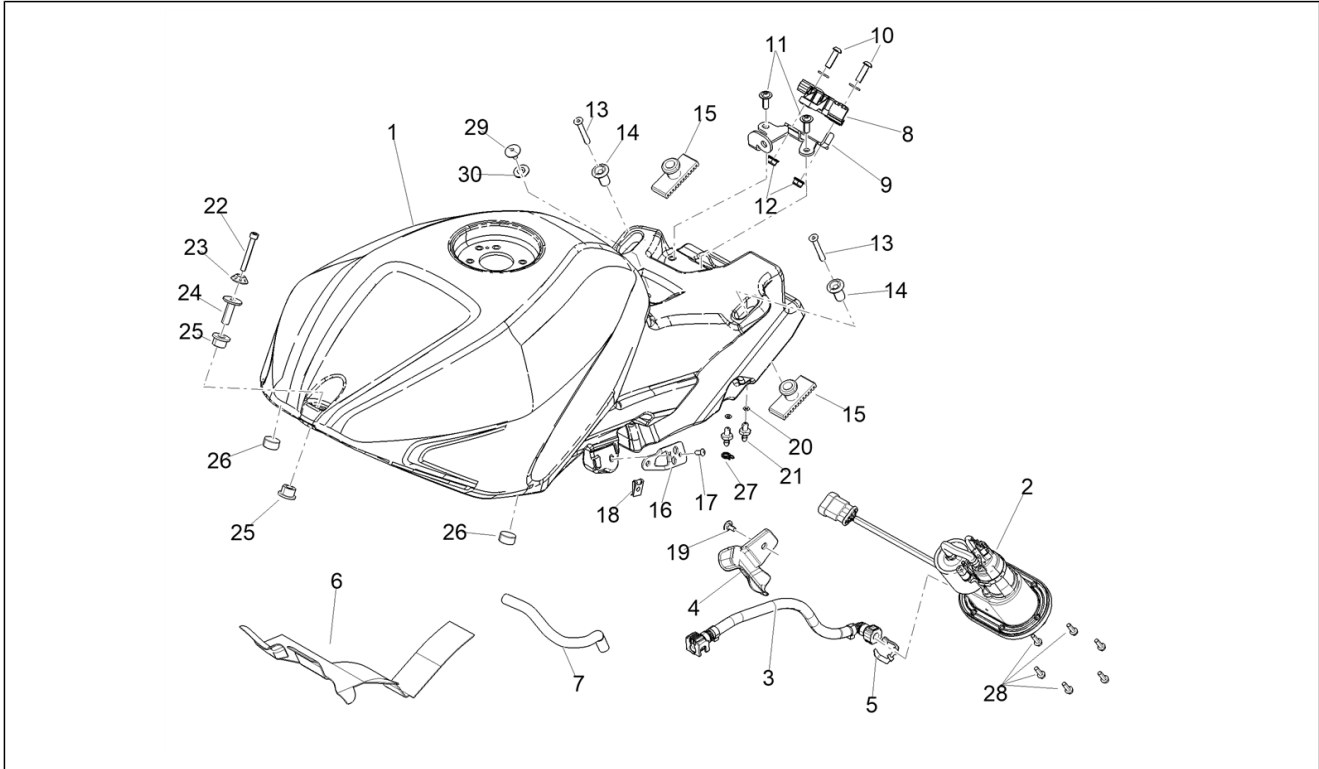
Pos.	Code	Description	Qty	Variants
1	2D000697	Dashboard not DRL	1	<b>Technical Specification:</b> Not DRL[NO DRL]
1	2D000601	Dashboard	1	
2	2B007193	Dashboard lid	1	
3	AP8150500	Hex socket screw M5x9 NERINOX	2	
4	00G04401462	Clip M5	2	
5	AP8220150	Rubber spacer	3	
6	AP8150255	Washer 5x20x1,5	3	
7	AP8150509	Self-tap screw 5x14	3	

<b>Group</b>	Lights - Instruments
<b>Code</b>	08.030
<b>Description</b>	Rear headlamps
<b>Service</b>	1



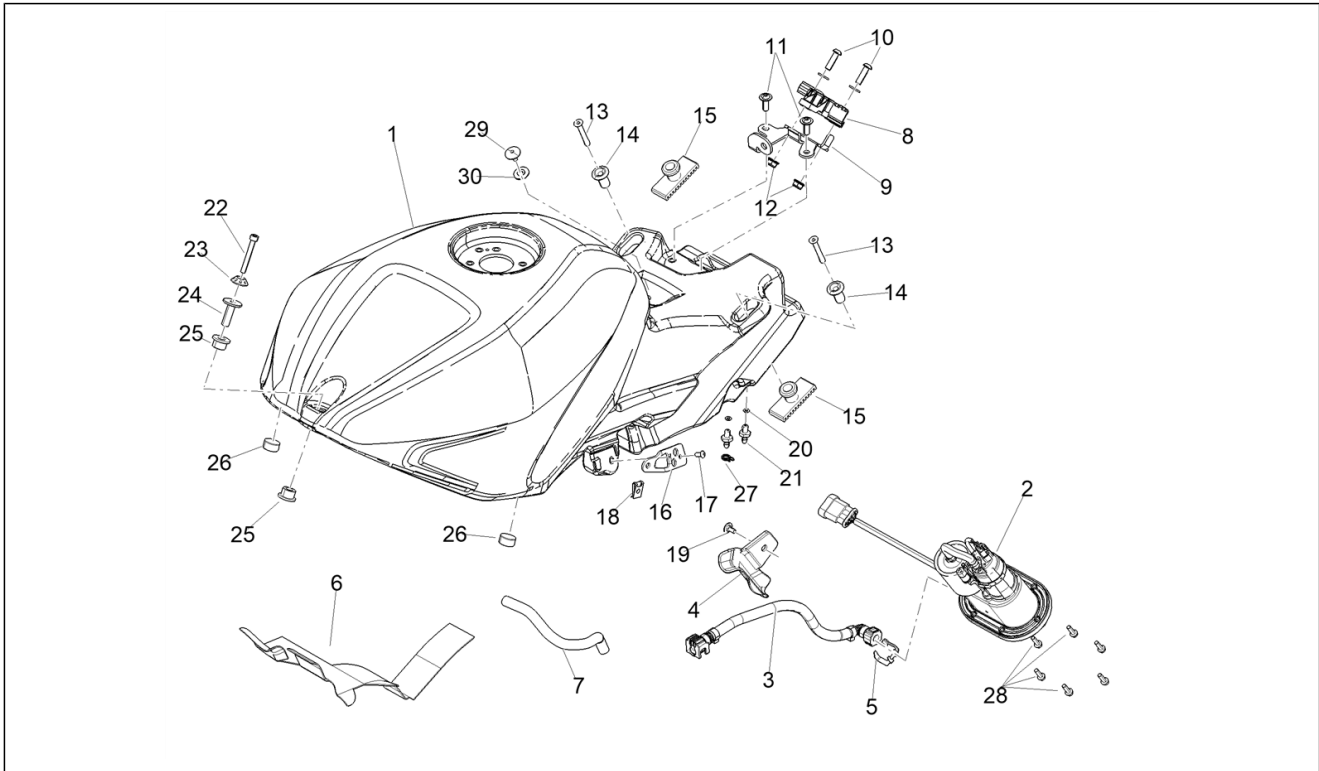
Pos.	Code	Description	Qty	Variants
1	2D000546	Taillight	1	
2	2D000573	Right rear and left front turn indicators	1	
3	2D000574	Left rear and right front turn indicators	1	
4	2D000284	Number-plate light	2	
5	AP8112916	Rear reflector	1	
6	AP8152299	Self-locking nut M6	2	
7	AP8150501	Washer	2	
8	2B002146	TBEI pre-impregnated screw M4x12	2	
9	AP8102375	Clip M5	3	
10	AP8152137	Hex socket screw M6x20 Z.N.	2	
11	AP8152298	Screw w/ flange M5x16	3	
12	AP8221036	Bushing 5,3x8x7,1	3	
13	AP8220186	Rubber spacer	3	

<b>Group</b>	Tank
<b>Code</b>	09.010
<b>Description</b>	Fuel tank
<b>Service</b>	1



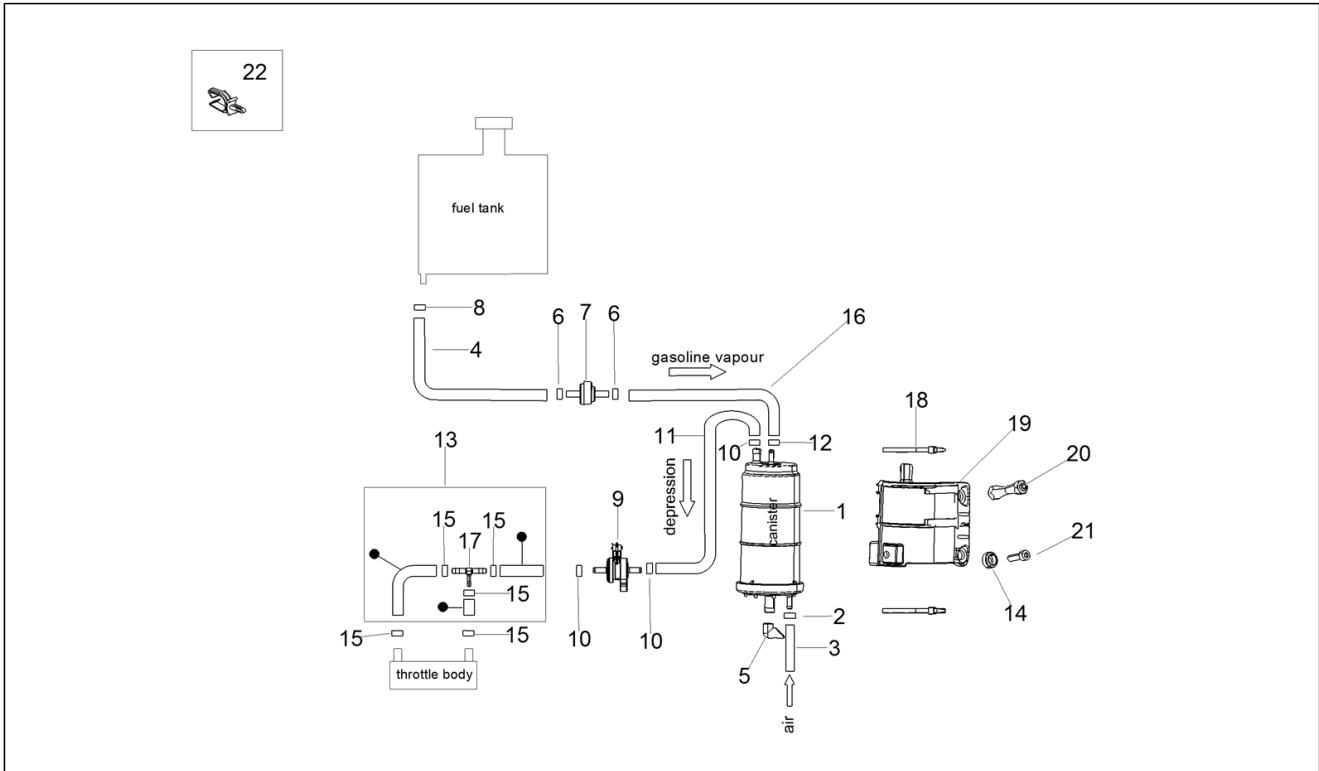
Pos.	Code	Description	Qty	Variants
1	2H005071000XN5	Black fuel tank	1	Colour:Ultra Dark[DarK]
1	2H005386000NV		1	Colour:Time Attack[NV]
1	2H005386000Q4	Fuel tank, white	1	Colour:Speed white[Q4]
1	2B008854		1	Technical Specification:Blank[gr]
2	2B010727	Fuel pump	1	
3	2B007450	Fuel pipe	1	
4	B044550	Maintenance	1	
5	2B007735	Bracket	1	
6	2B008438	Protection	1	
7	895959	Fuel tube	1	
8	2D000517	Inclination sensor	1	
9	2B002985	Support bracket	1	
10	AP8224470	Hex socket screw M6x20 inox	2	
11	GU98210612	Screw w/ flange M6x12	2	
12	AP8152299	Self-locking nut M6	2	
13	576836	screw	2	
14	893273	Spacer	2	
15	AP8120663	Rubber spacer *	2	
16	858886	LH support	1	
17	AP8150538	Hex socket screw M5x10	1	
18	AP8102375	Clip M5	1	
19	AP8152339	Hex socket screw M5x9 INOX	1	
20	AP8120965	O-ring 2018	2	
21	2B001203	Insert	2	
22	AP8150403	Hex socket screw M6x45	1	
23	AP8150536	Special washer	1	
24	2B006465	T bush	1	
25	AP8101372	Silent-block	2	

<b>Group</b>	Tank
<b>Code</b>	09.010
<b>Description</b>	Fuel tank
<b>Service</b>	1



Pos.	Code	Description	Qty	Variants
26	2B007824	Pad	2	
27	AP8101595	Hose clamp D10,1	1	
28	2B002567	Flanged hexagon screw M5X16	6	
29	AP8161127	Fixing pin	1	
30	AP8150255	Washer 5x20x1,5	1	

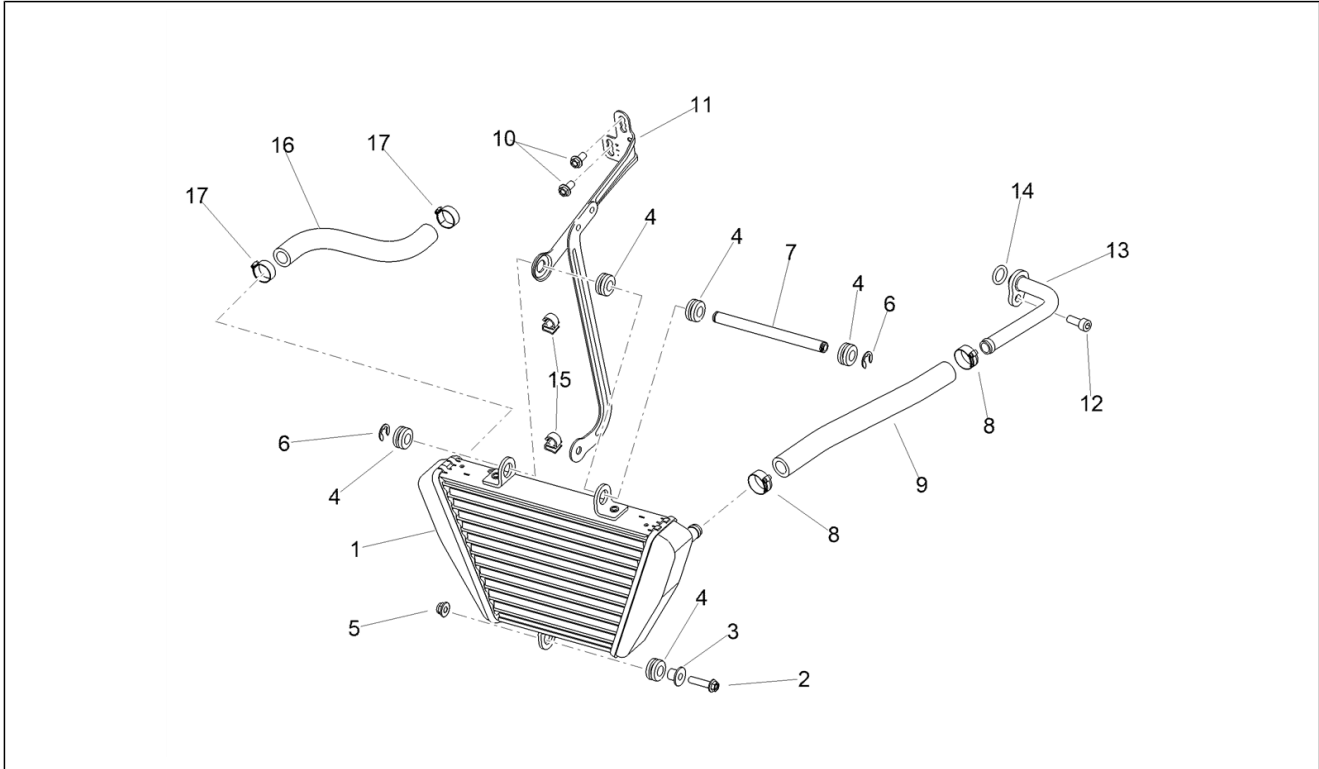
<b>Group</b>	Tank
<b>Code</b>	09.020
<b>Description</b>	Fuel vapour recover system
<b>Service</b>	1



Pos.	Code	Description	Qty	Variants
1	2B002632	Canister	1	
2	AP8102520	Hose clamp	1	
3	890499	Fuel pipe 8x13	1	
4	856063	pipe SAE 30 d.12,7x6,35	2	
5	AP8127601	Ventilation plug	1	
6	AP8120446	Hose clip, green D11x6,6x1	2	
7	AP8104614	Breather valve	1	
8	AP8120446	Hose clip, green D11x6,6x1	2	
9	2B0077435	Bleed valve	1	
10	AP8102239	Hose clamp 12,5x8	2	
11	2B007742	Sae j30 pipe 3/16"	1	
12	AP8102738	Hose clamp	1	
13	2B008417	Shed pipe assembly	1	
14	2B003714	Bush	3	
15	CM001901	Hose clamp	5	
16	2B003691	SAE 30 R12A-3/16 pipe	1	
17	AP8104666	3-way union	2	
18	AP8141017	Black hose	1	
19	2B003441	Support bracket	4	
20	2B008110	Spacer	1	
21	AP8150044	Hex socket screw M6x20	1	
22	AP8121311	Sliding bush	1	

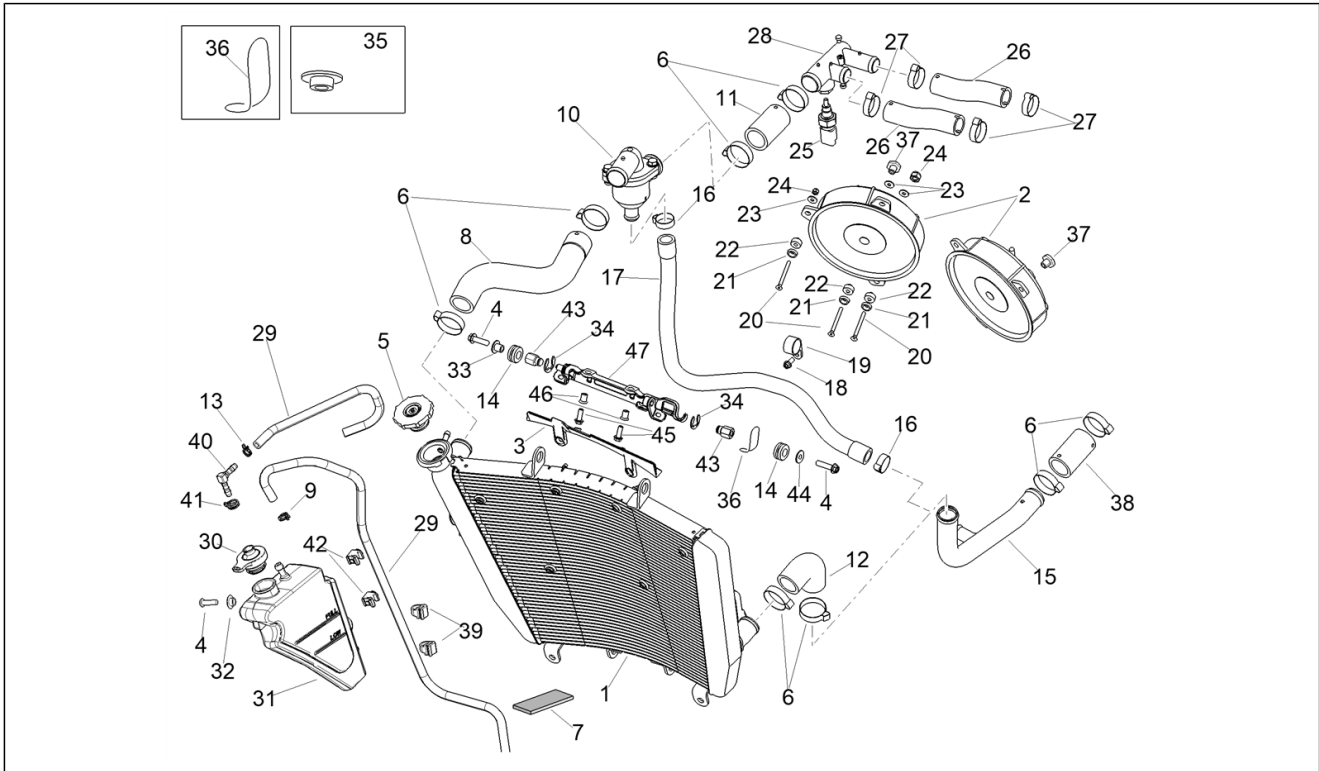


<b>Group</b>	Cooling system
<b>Code</b>	10.010
<b>Description</b>	Oil radiator
<b>Service</b>	1



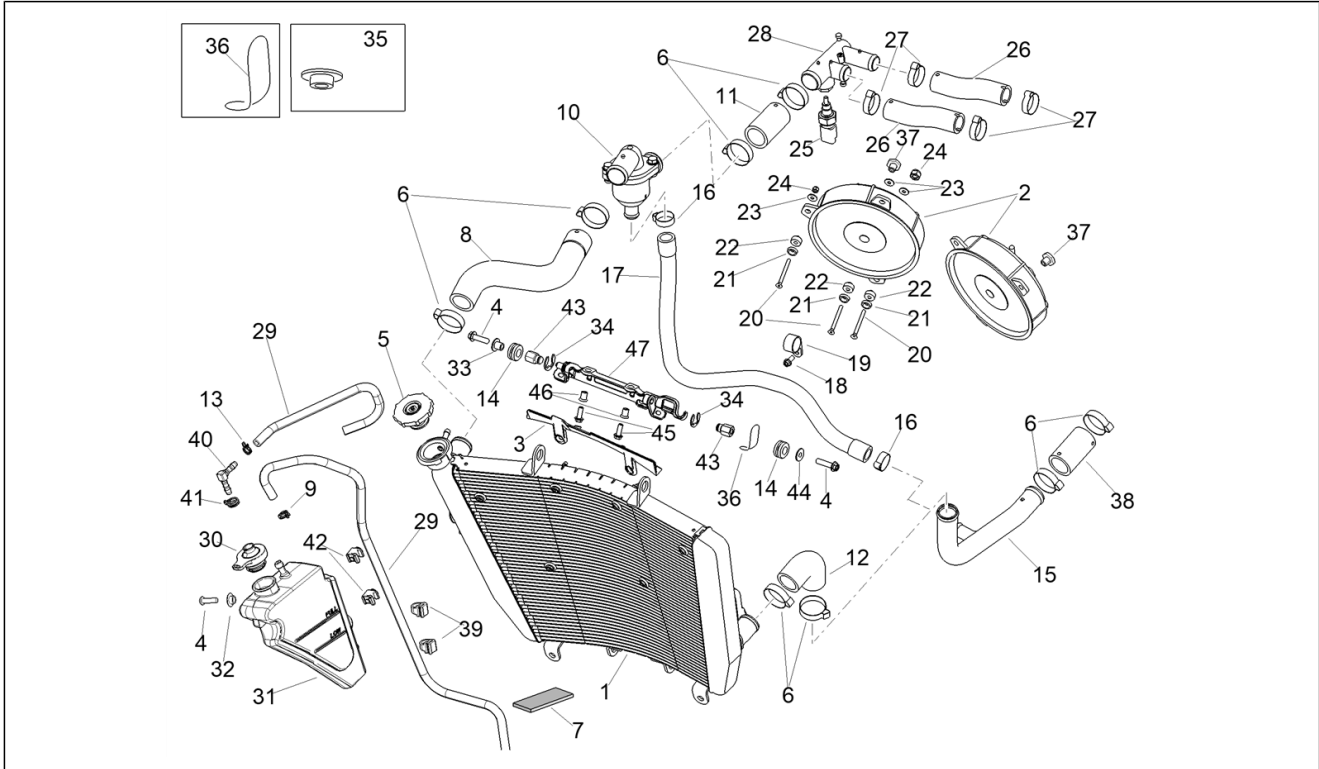
Pos.	Code	Description	Qty	Variants
1	2B000897	Oil cooler	1	
2	AP8152280	Screw w/ flange M6x25	1	
3	AP8221023	T bush	1	
4	AP8120030	Rubber spacer	5	
5	AP8152299	Self-locking nut M6	1	
6	AP8121428	Circlip d8	2	
7	858927	Spacer	1	
8	AP8102349	White hose clip D17,5x8	4	
9	2B0065604	Oil pipe	1	
10	AP8152277	Flanged hexagon screw M6x12	2	
11	2B001478	Radiator support bracket	1	
12	AP8150137	Hex socket screw M6x16	1	
13	858489	Pipe	1	
14	AP8144008	O-ring 115	1	
15	AP8201727	Black cable guide	2	
16	2B001806	Oil pipe	1	
17	2B002198	Hose clip	2	

<b>Group</b>	Cooling system
<b>Code</b>	10.020
<b>Description</b>	Cooling system
<b>Service</b>	1



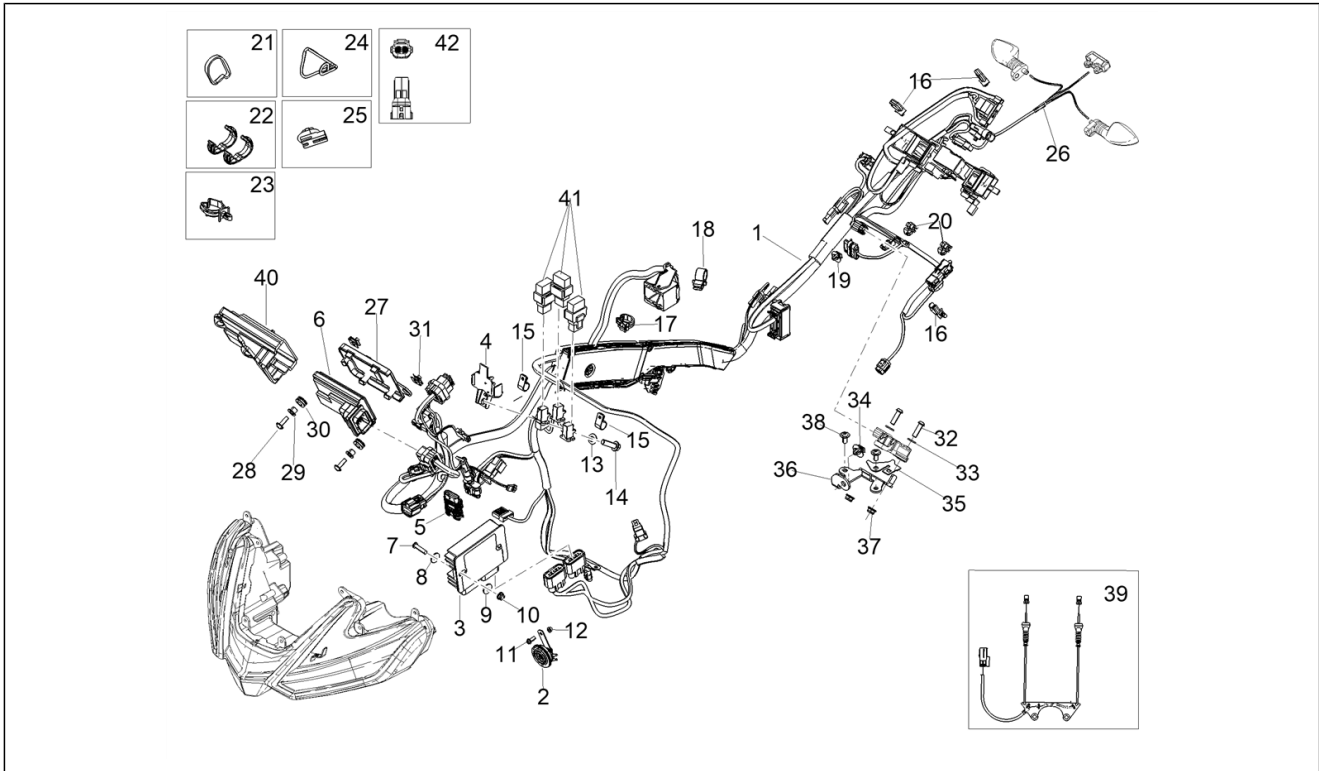
Pos.	Code	Description	Qty	Variants
1	2B011237	Water cooler Black	1	
2	2D000603	Electric fan	2	
3	2B008653	Rod	1	
4	AP8152279	Screw w/ flange M6x20	3	
5	893954	Cover	1	
6	CM269609	Hose clamp	4	
7	AP8117033	Adhesive sponge	2	
8	2B002204	Thermostat-cooler pipe	1	
9	AP8101595	Hose clamp D10,1	1	
10	856279	Thermostat valve set 75°C	1	
11	2B002207	Hose H2O	1	
12	AP8144033	Thermostat-pump pipe	1	
13	AP8102378	Hose clamp D11,3	1	
14	AP8120030	Rubber spacer	2	
15	2B008321	Radiator-pump pipe	1	
16	CM269603	Hose clamp	1	
17	2B002208	Thermostat-engine pipe	1	
18	AP8152272	Screw w/ flange M5x12	1	
19	893224	Hose clamp	1	
20	893514	Screw	6	
21	893823	Washer d4,5	6	
22	893513	Spacer	6	
23	AP8150011	Washer 4,3x12x1	6	
24	AP8150204	Nut M4	6	
25	640485	Temperature gauge	1	
26	2B002203	Engine-manifold pipe	2	
27	AP9100456	Hose clip 26x8	4	
28	856543	Manifold	1	

<b>Group</b>	Cooling system
<b>Code</b>	10.020
<b>Description</b>	Cooling system
<b>Service</b>	1



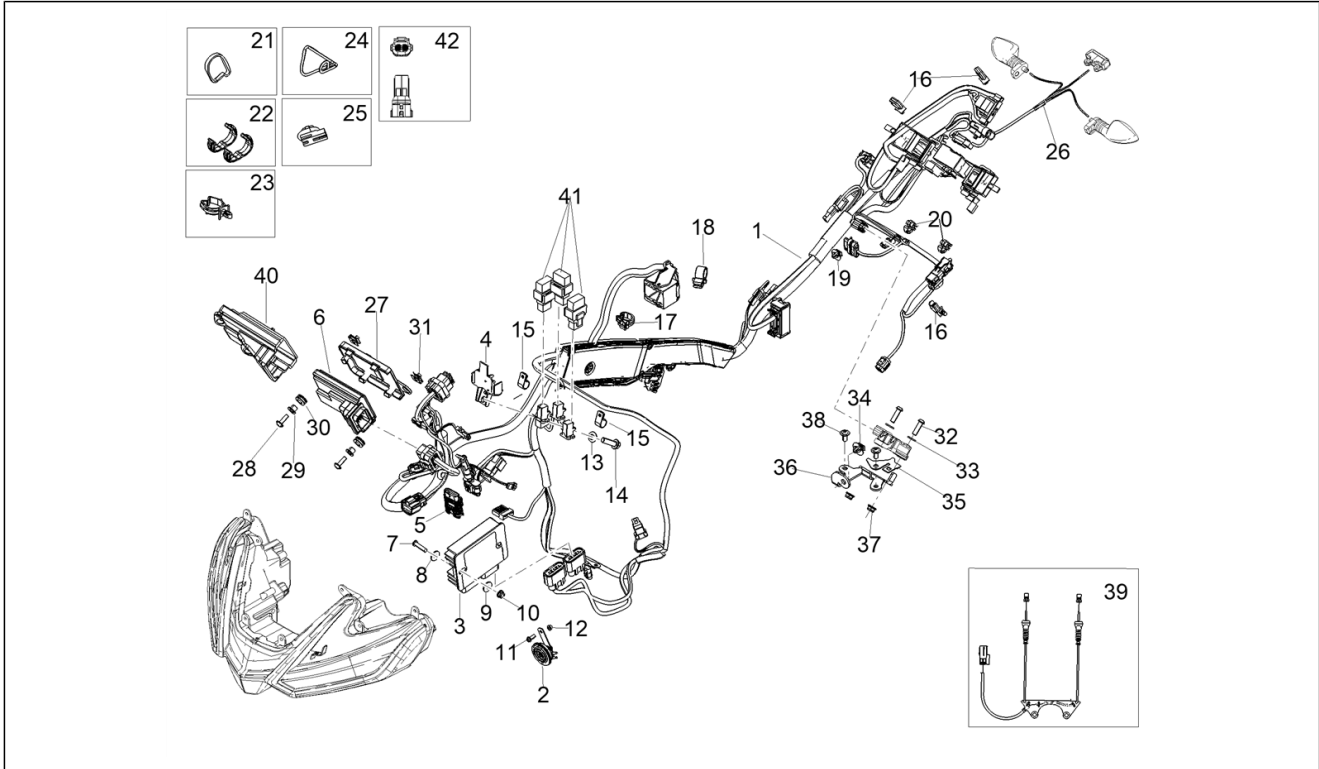
Pos.	Code	Description	Qty	Variants
29	AP8120952	pipe 5,5x10	1	
30	899642	Expansion tank plug	1	
31	2B007719	Expansion tank	1	
32	AP8221145	T bush *	1	
33	AP8221023	T bush	1	
34	AP8120573	Stop ring	1	
35	AP8121991	Bush	1	
36	AP8221150	Cable-guide	1	
37	895450	Bush	2	
38	AP8144720	Hose	1	
39	AP8201727	Black cable guide	2	
40	856082	2-way union	1	
41	AP8102520	Hose clamp	1	
42	AP8201808	Cable-guide D8	4	
43	898047	Threaded insert M6x16	2	
44	AP8150015	Washer 6,6x18x1,6*	1	
45	AP8152279	Screw w/ flange M6x20	2	
46	AP8121728	T bush	2	
47	897775	Water cooler upper support	1	

<b>Group</b>	Electrical systems
<b>Code</b>	11.010
<b>Description</b>	Front electrical system
<b>Service</b>	1



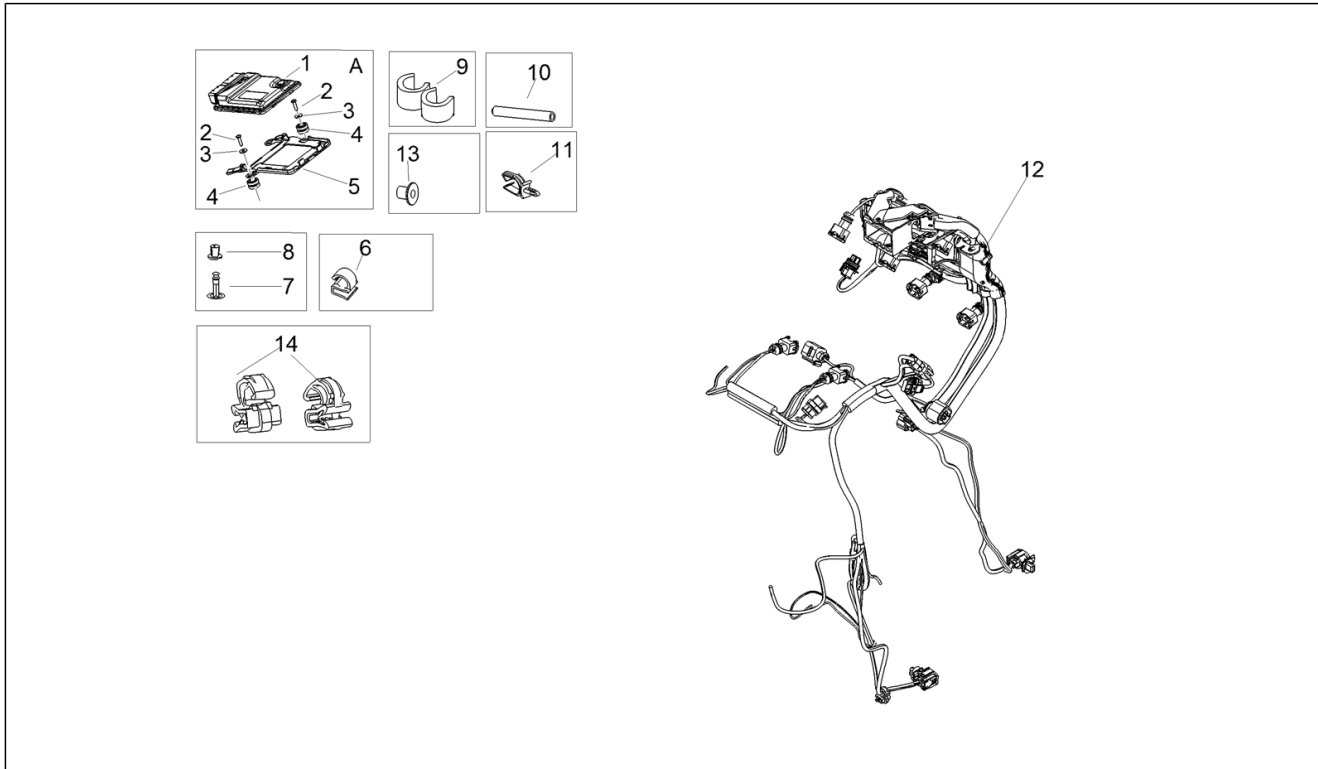
Pos.	Code	Description	Qty	Variants
1	2D000600	Main wiring harness	1	
2	890979	Horn	1	
3	1A012332	Voltage regulator	1	
4	858916	Sensor support	1	
5	2D000095	Electronic gas control	1	
6	2D000632	Suspensions ECU	1	
7	AP8152117	TBEI M6x25 screw	1	
8	AP8150179	Washer 6,6x18x1,6	1	
9	AP8121075	T bush *	1	
10	AP8152299	Self-locking nut M6	1	
11	2B002416	Screw w/ flange M8x20	1	
12	2B002634	DAX nut M10x1,25	1	
13	AP8121991	Bush	1	
14	AP8152279	Screw w/ flange M6x20	1	
15	AP8102151	Black hose D12*	1	
16	AP8221310	Cable-guide	3	
17	CM013202	Pipes/cables retainer spring	1	
18	AP9100765	Spring	1	
19	890760	Instrument support	3	
20	CM013203	Sheet edge spring	2	
21	AP8102386	Hose clamp 2,5x160	1	
22	2B006134	Fairlead	2	
23	AP8221311	Fairlead d18	1	
24	AP8221114	Cable-guide	1	
25	1D000129	Plugs spring	1	
26	2D000627	Plate light wiring	1	
27	2B007836	Holder	1	
28	AP8152298	Screw w/ flange M5x16	2	

<b>Group</b>	Electrical systems
<b>Code</b>	11.010
<b>Description</b>	Front electrical system
<b>Service</b>	1



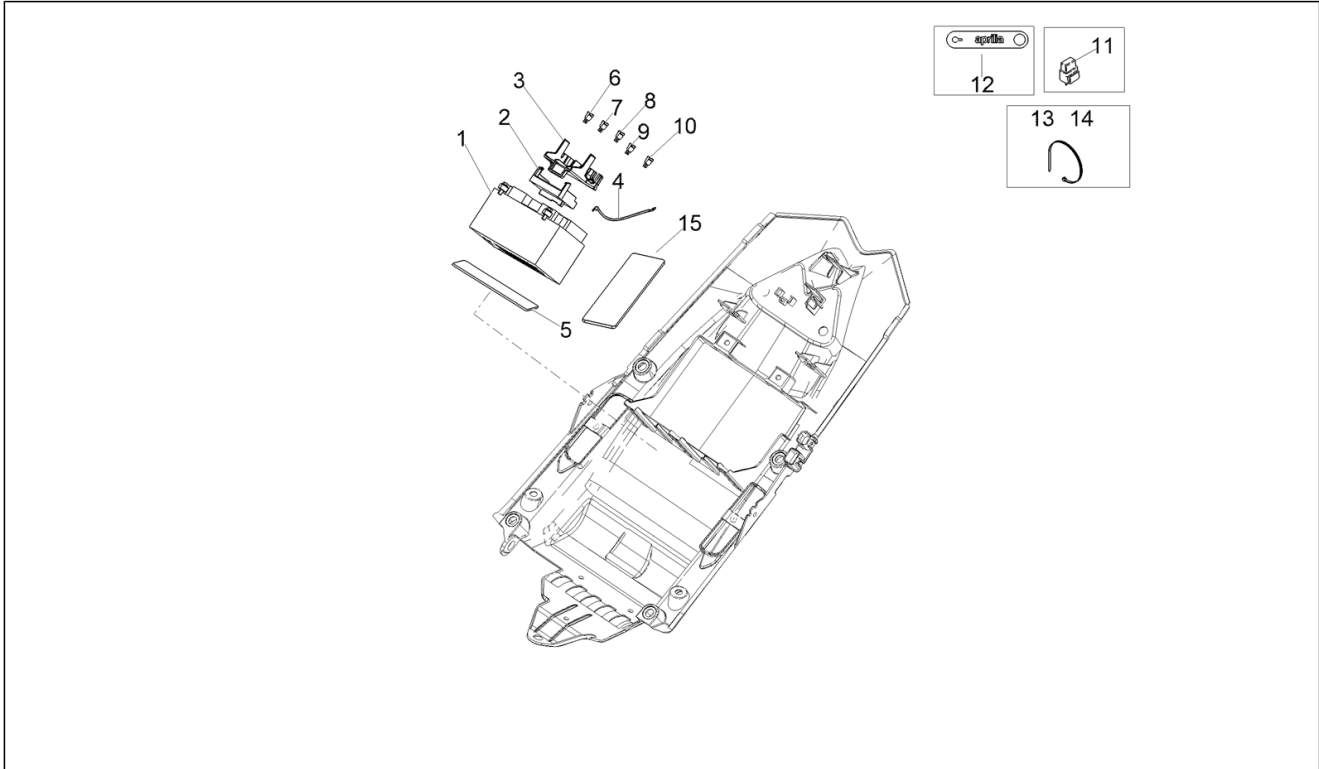
Pos.	Code	Description	Qty	Variants
29	AP8121929	T bush 6,5x8,6x9	2	
30	AP8220186	Rubber spacer	2	
31	00G04401462	Clip M5	2	
32	AP8224470	Hex socket screw M6x20 inox	2	
33	GU95005306	Washer 6,4x13x1,5	2	
34	890760	Instrument support	1	
35	2B007807	Bracket	1	
36	2B002985	Support bracket	1	
37	AP8152299	Self-locking nut M6	2	
38	GU98210612	Screw w/ flange M6x12	2	
39	2D000563	FORK WIRING Ohlins	1	
40	2B006421	Holder	1	
41	AP8224462	Relay 12V-30A	1	
42	2D000679	Plug connector	1	

<b>Group</b>	Electrical systems
<b>Code</b>	11.020
<b>Description</b>	Central electrical system
<b>Service</b>	1



Pos.	Code	Description	Qty	Variants
1	CM3018044	Electronic control unit	1	
2	AP8150509	Self-tap screw 5x14	3	
3	AP8150382	Washer 15x5,5X1,2	3	
4	AP8220150	Rubber spacer	3	
5	2B007170	Holder	1	
6	AP8201727	Black cable guide	2	
7	AP8144563	Rivet, male	1	
8	AP8144616	Rivet, female	1	
9	AP9100519	Spring	2	
10	AP8220709	Pipe cover	2	
11	AP8221311	Fairlead d18	1	
12	2D000594	Engine wiring	1	
13	AP8121795	T bush	1	
14	CM013203	Sheet edge spring	2	

<b>Group</b>	Electrical systems
<b>Code</b>	11.030
<b>Description</b>	Rear electrical system
<b>Service</b>	1



Pos.	Code	Description	Qty	Variants
1	2D000579	Lithium battery	1	
2	2B006798	Spacer battery	1	
3	898252	Battery bracket	1	
4	2D000158	Earth cable	1	
5	AP8144552	Lat. battery support rubber	2	
6	CM225607	Fuse 7,5A	1	
7	CM225710	Fuse 10A	1	
8	CM225715	Fuse 15A	1	
9	CM225720	Fuse 20A	2	
10	CM225725	Fuse 25A	1	
11	582690	Starter relay	1	
12	860744	Hose clamp	1	
13	AP8120416	Black hose 180x4,5	1	
14	AP8102386	Hose clamp 2,5x160	5	
15	AP8144553	Support rubber part	1	